



TESLA M60

PB-07864-001_v01 | November 2015

Product Brief



DOCUMENT CHANGE HISTORY

PB-07864-001_v01

Version	Date	Authors	Description of Change
01	November 13, 2015	MD, SM	Initial Release

TABLE OF CONTENTS

- Overview 1**
 - Airflow Direction Support 2
- Specifications..... 5**
 - Product Specification..... 5
 - Thermal Specifications 7
- Design Discussion 8**
 - Form Factor 8
 - Power Brake Header Placement 9
 - Power Connector Placement 10
 - CPU 8-Pin to PCIe 8-Pin Dongle 11
 - Extenders 12
- Support Information..... 14**
 - Certificates and Agencies 14
 - Certifications 14
 - Agencies 14
 - Languages 15

LIST OF FIGURES

Figure 1.	Tesla M60 Board (With Optional I/O Bracket)	2
Figure 2.	Tesla M60 (PG402 SKU 40): Left-to-Right Airflow.....	2
Figure 3.	Tesla M60 (PG402 SKU 60): Right-to-Left Airflow.....	3
Figure 4.	Tesla M60 (PG402 SKU 80): Right-to-Left Active Airflow with Straight Extender	3
Figure 5.	Tesla M60 (PG402 SKU 80): Right-to-Left Active Airflow with Long Offset Extender	4
Figure 6.	Tesla M60 Board Dimensions (With Optional I/O Bracket).....	8
Figure 7.	Power Brake Header	9
Figure 8.	CPU 8-Pin Power Connector.....	10
Figure 9.	CPU 8-Pin to PCIe 8-Pin Dongle.....	11
Figure 10.	Straight Extender.....	12
Figure 11.	Long Offset Extender	12

LIST OF TABLES

Table 1.	Product Specifications	5
Table 2.	Memory Specifications	6
Table 3.	Software Specifications.....	6
Table 4.	Board Environmental and Reliability Specifications	6
Table 5.	Thermal Specifications	7
Table 6.	12V External Power Configuration	11
Table 7.	Languages Supported	15

OVERVIEW

The NVIDIA® Tesla® M60 is a dual-slot 10.5 inch PCI Express Gen3 graphics card with two high-end NVIDIA Maxwell™ graphics processing units (GPUs). The Tesla M60 has 16 GB GDDR5 memory (8 GB per GPU) and a 300 W maximum power limit. The board is offered in a 300 W passively cooled variant that requires system airflow to properly operate the card within its thermal limits or in a 240 W actively cooled version. It is designed for single precision GPU compute tasks as well as to accelerate graphics in virtual remote workstation and virtual desktop environments.

A main feature of the Tesla M60 board is the support of the NVIDIA GRID™ software which includes NVIDIA GRID vGPU™. This technology enables the virtualization of physical GPUs into full-featured virtual GPUs providing maximum performance and scalability.

For performance optimization this board utilizes NVIDIA GPU Boost™. By adjusting the GPU clock dynamically, maximum performance is achieved within the power cap limit (300 W or 240 W).

In addition, Tesla M60 doubles the number of H.264 encoders over the NVIDIA® Kepler™ GPU architecture and also includes H.265 encoding ability. This improves encoding quality, which will enable richer colors, preserve more details after video encoding, and results in a high-quality user experience.

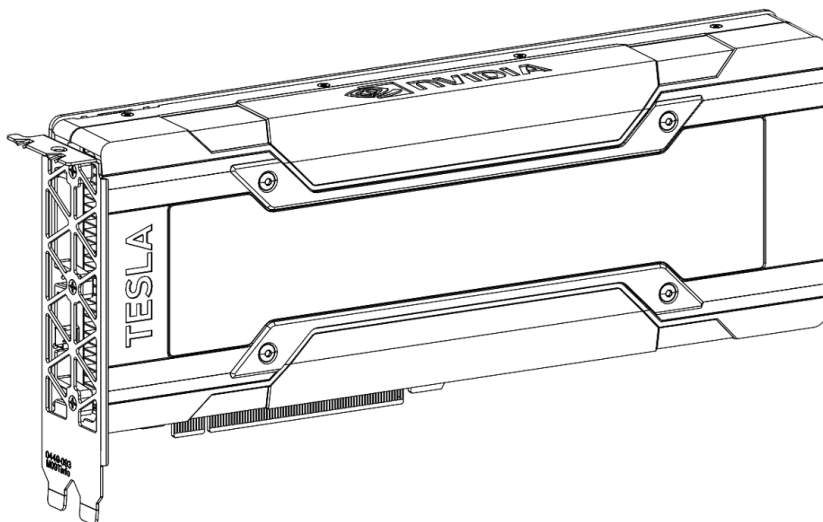


Figure 1. Tesla M60 Board (With Optional I/O Bracket)

AIRFLOW DIRECTION SUPPORT

The Tesla M60 board is available in four variants. Each version supports a single unidirectional airflow.

- ▶ PG402 SKU 40 supports passive cooling with left-to-right airflow (Figure 2)
- ▶ PG402 SKU 60 supports passive cooling with right-to-left airflow (Figure 3)
- ▶ PG402 SKU 80 supports active cooling with straight extender (Figure 4)
- ▶ PG402 SKU 80 supports active cooling with long offset extender (Figure 5)

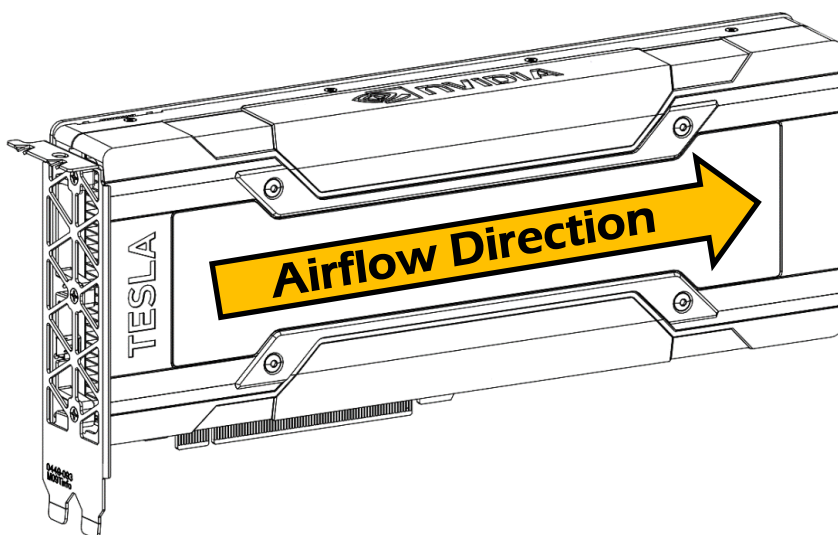


Figure 2. Tesla M60 (PG402 SKU 40): Left-to-Right Airflow

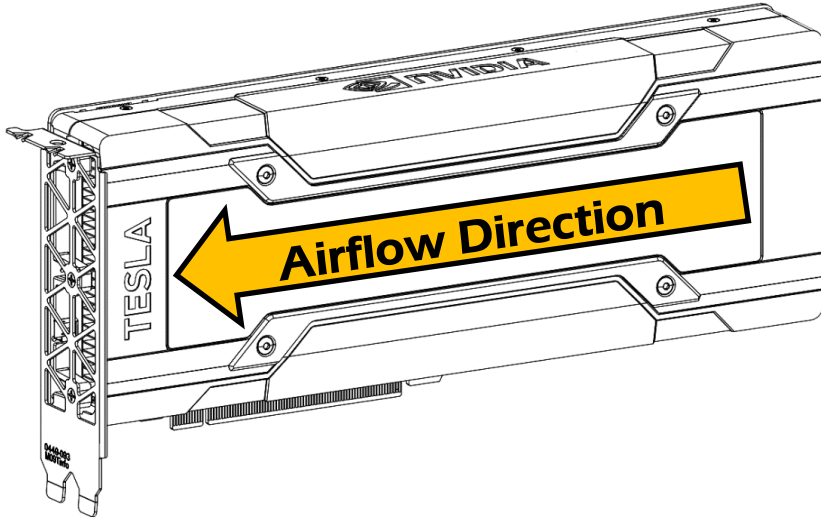


Figure 3. Tesla M60 (PG402 SKU 60): Right-to-Left Airflow

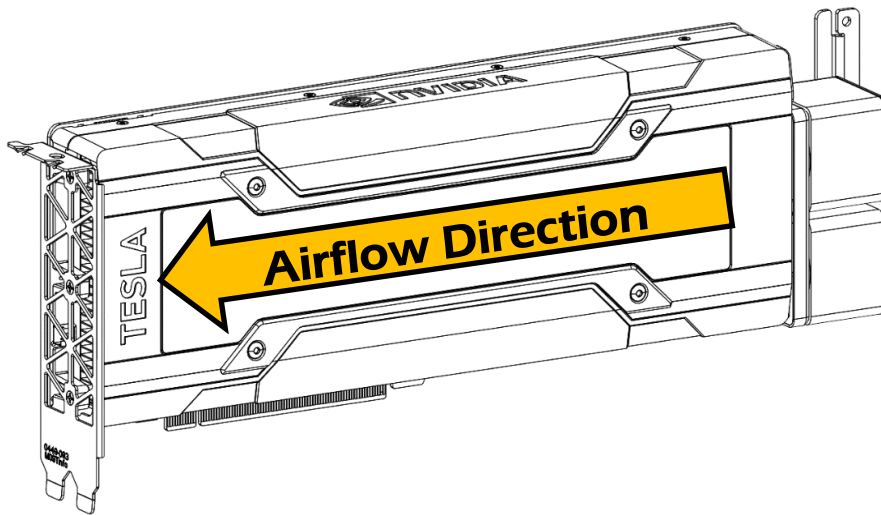


Figure 4. Tesla M60 (PG402 SKU 80): Right-to-Left Active Airflow with Straight Extender

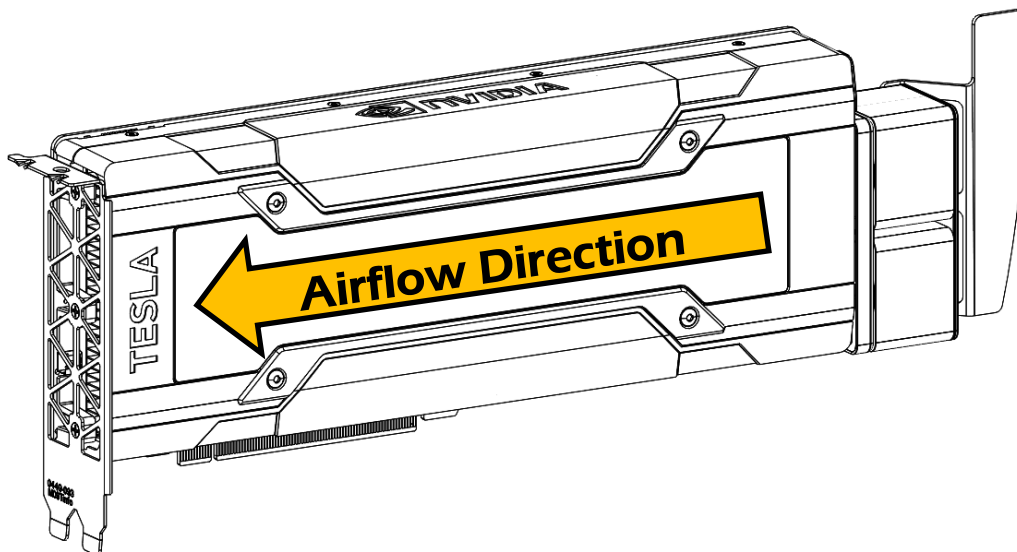


Figure 5. Tesla M60 (PG402 SKU 80): Right-to-Left Active Airflow with Long Offset Extender

SPECIFICATIONS

PRODUCT SPECIFICATION

Table 1 provides the product specifications for the Tesla M60 board.

Table 1. Product Specifications

Specification	Description	
Product SKUs	PG402 SKU 40 (L2R passive airflow) PG402 SKU 60 (R2L passive airflow) PG402 SKU 80 (R2L active airflow)	
Total board power	Passive: 300 W default (225 W configurable) Active: 240 W	
GPU SKU	GM204-895-A1	
NVIDIA® CUDA® cores	4096 (2048 per GPU)	
GPU clocks	Base	899 MHz
	Maximum boost	1178 MHz
	Idle	405 MHz
VBIOS	EEPROM size	4 Mbit
	UEFI	Supported
PCI Express interface	PCI Express 3.0 ×16 Lane and polarity reversal supported	
Power connectors and headers	One CPU 8-pin auxiliary power connector One 2-pin power brake header	
Weight without extender and fans	1230 grams	

Table 2 provides the memory specifications for the Tesla M60 board.

Table 2. Memory Specifications

Specification		Description
Memory clocks	Performance	2505 MHz
	Idle	324 MHz
Memory size	16 GB (8 GB per GPU)	
Memory I/O	256-bit ×2	
Memory configuration	32 pcs 256M × 16 GDDR5	
Memory bandwidth	160 GB/s ×2	

Table 3 provides the software specifications for the Tesla M60 board.

Table 3. Software Specifications

Specification	Description
Compatibility modes	Graphics and Compute
Base address	BAR0: 16 MB BAR1: 256 MB (Graphics) or 8 GB (Compute) BAR2: 32 MB I/O BAR: 4 KB (Graphics only)
PCI class code	0x03 - Display controller
PCI sub class codes	0x00 - VGA-compatible controller (Graphics) 0x02 - 3D controller (Compute)
ECC support	Supported (Enabled by default)

Table 4 provides the environment conditions specifications for the Tesla M60 graphics board.

Table 4. Board Environmental and Reliability Specifications

Specification	Condition
Operating temperature	0 °C to 45 °C
Storage temperature	-40 °C to 75 °C
Operating humidity	5% to 95% relative humidity
Storage humidity	5% to 95% relative humidity
Mean time between failures (MTBF)	Uncontrolled environment: 224,945 hours at 35 °C Controlled environment: 316,614 hours at 35 °C

THERMAL SPECIFICATIONS

Table 5 provides the thermal specifications for the Tesla M60 board.

Table 5. Thermal Specifications

Parameter	Value	Units
Total board power (Passive)	300	W
Total board power (Active)	240	W
GPU shutdown temperature	91	°C
GPU slowdown temperature	88	°C
GPU maximum operating temperature	86	°C
GPU hardware slowdown amount	50	%

DESIGN DISCUSSION

FORM FACTOR

The Tesla M60 board conforms to the NVIDIA Form Factor 2.0 specification. For details about the NVIDIA Form Factor 2.0 specification consult the *System Design Guide for NVIDIA Enterprise GPU Products (DG-07562-001)*.

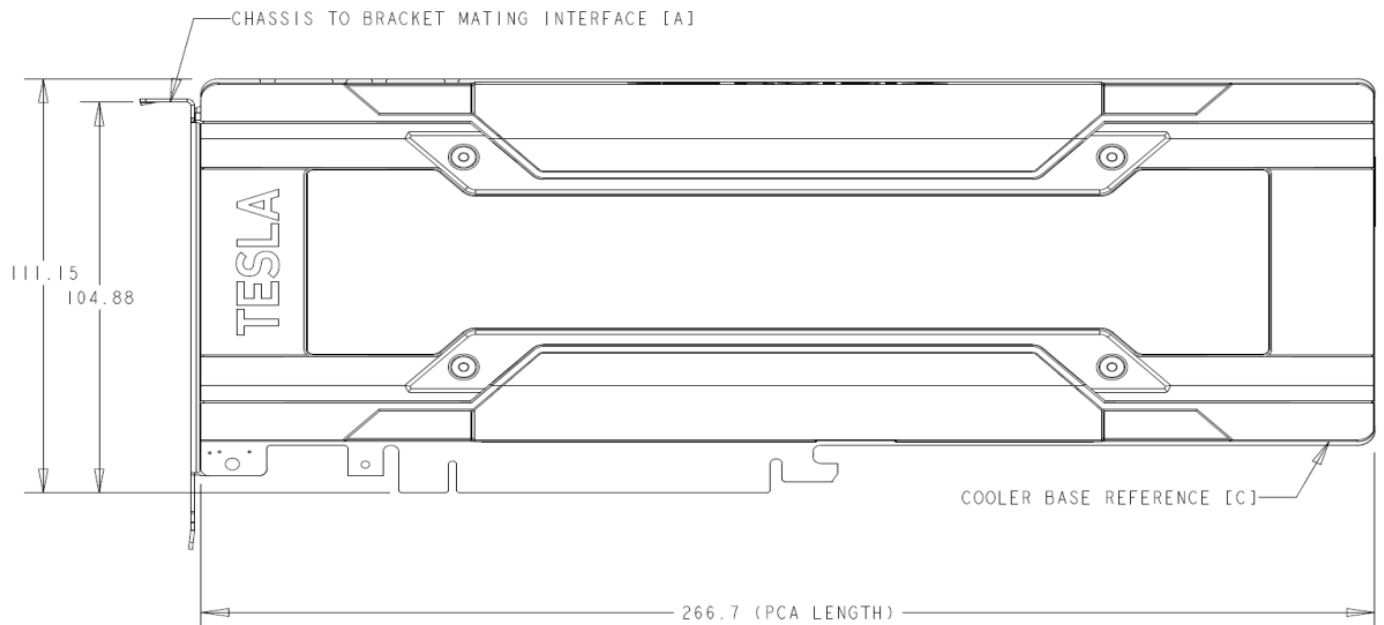


Figure 6. Tesla M60 Board Dimensions (With Optional I/O Bracket)

POWER BRAKE HEADER PLACEMENT

Figure 7 shows the placement of the power brake header connectors for the Tesla M60 board.

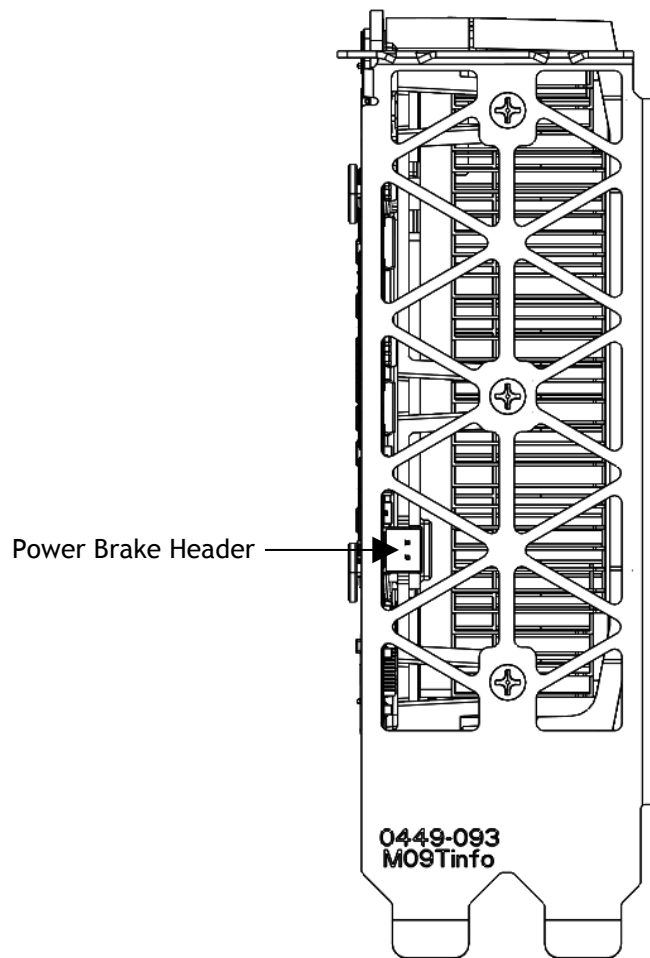


Figure 7. Power Brake Header

POWER CONNECTOR PLACEMENT

The board provides a CPU 8-pin power connector on the East edge of the board.

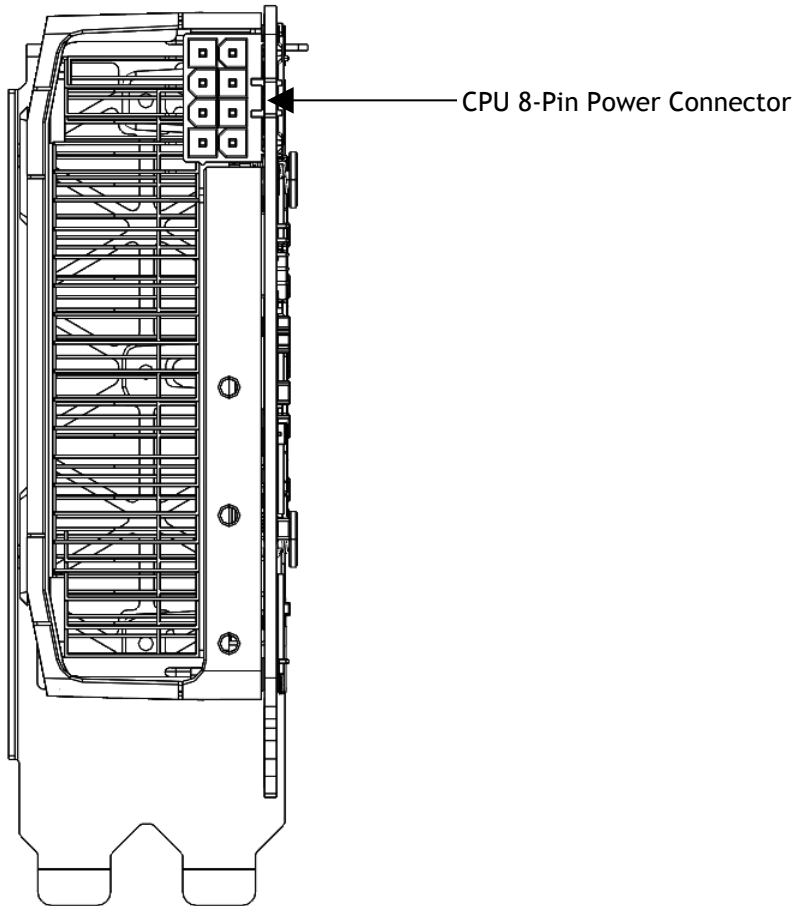


Figure 8. CPU 8-Pin Power Connector

CPU 8-Pin to PCIe 8-Pin Dongle

Figure 9 lists the pin assignments of the dongle (NVPN: 030-0571-000).

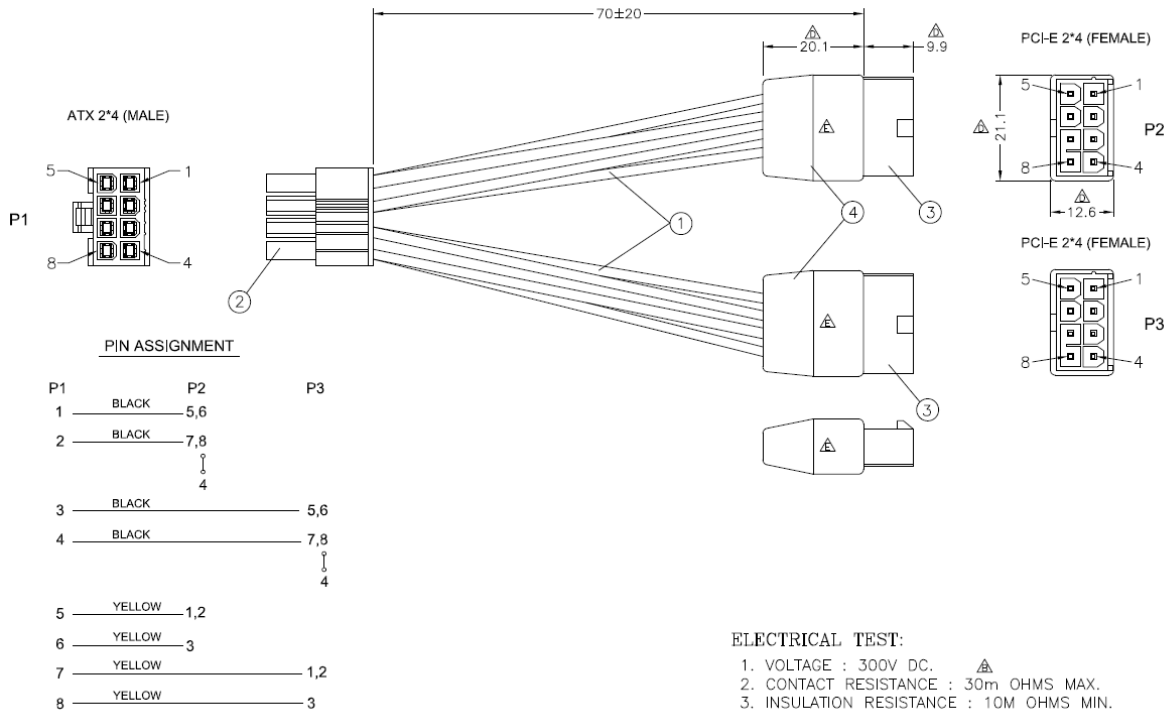


Figure 9. CPU 8-Pin to PCIe 8-Pin Dongle

Table 6. 12V External Power Configuration

Cable Attachment	Support	Notes
CPU-8-pin auxiliary power cable attached	Supported; required	CPU 8-pin cable must be attached. CPU 8-pin cable must carry up to 240 W.
PCIe 8-pin cable	Not supported	PCIe 8-pin cable is not compatible with CPU 8-pin board connector. Plugging in forcibly can cause permanent damage to the board and the system.
PCIe 6-pin cable	Not supported	PCIe 6-pin cable is not compatible with CPU 8-pin board connector. Plugging in forcibly can cause permanent damage to the board and the system.
No auxiliary power cable attached	Not supported	The auxiliary power cable must always be installed.

Note:

Customers can use a dual PCIe 8-pin to CPU 8-pin cable adapter in lieu of a CPU 8-pin auxiliary power cable.

EXTENDERS

The Tesla M60 board provides two extender options as shown in the following figures.

- ▶ NVPN: 320-0867-003 – Straight extender (Figure 10)
 - Card + extender = 312 mm
- ▶ NVPN: 320-0866-003 – Long offset extender (Figure 11)
 - Card + extender = 339 mm

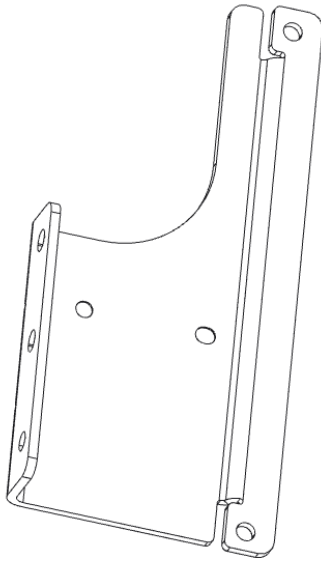


Figure 10. Straight Extender

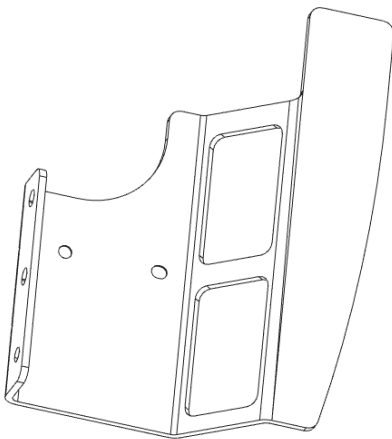


Figure 11. Long Offset Extender

- ▶ Using the standard NVIDIA extender ensures greatest forward compatibility with future NVIDIA product offerings.
- ▶ If the standard extender will not work, OEMs may design a custom attach method using the extender mounting holes on the heat sink baseplate. The extender mounting holes will vary among NVIDIA products, so designing for flexibility is recommended.

SUPPORT INFORMATION

CERTIFICATES AND AGENCIES

Certifications

- ▶ Windows Hardware Quality Lab (WHQL):
 - Certified Windows 7 and Windows 8
- ▶ Ergonomic requirements for office work W/VDTs (ISO 9241)
- ▶ EU Reduction of Hazardous Substances (EU RoHS)
- ▶ Joint Industry guide (J-STD) / Registration, Evaluation, Authorization, and Restriction of Chemical Substance (EU) – (JIG / REACH)
- ▶ Halogen Free (HF)
- ▶ EU Waste Electrical and Electronic Equipment (WEEE)

Agencies

- ▶ Australian Communications Authority and Radio Spectrum Management Group of New Zealand (C-Tick)
- ▶ Bureau of Standards, Metrology, and Inspection (BSMI)
- ▶ Conformité Européenne (CE)
- ▶ Federal Communications Commission (FCC)
- ▶ Industry Canada - Interference-Causing Equipment Standard (ICES)
- ▶ Korean Communications Commission (KCC)
- ▶ Underwriters Laboratories (cUL, UL)
- ▶ Voluntary Control Council for Interference (VCCI)

LANGUAGES

Table 7. Languages Supported

Languages	Windows ¹	Linux
English (US)	Yes	Yes
English (UK)	Yes	Yes
Arabic	Yes	
Chinese, Simplified	Yes	
Chinese, Traditional	Yes	
Czech	Yes	
Danish	Yes	
Dutch	Yes	
Finnish	Yes	
French (European)	Yes	
German	Yes	
Greek	Yes	
Hebrew	Yes	
Hungarian	Yes	
Italian	Yes	
Japanese	Yes	
Korean	Yes	
Norwegian	Yes	
Polish	Yes	
Portuguese (Brazil)	Yes	
Portuguese (European/Iberian)	Yes	
Russian	Yes	
Slovak	Yes	
Slovenian	Yes	
Spanish (European)	Yes	
Spanish (Latin America)	Yes	
Swedish	Yes	
Thai	Yes	
Turkish	Yes	

Note:

¹Windows 7, Windows 8, and Windows 8.1 are supported.

Notice

The information provided in this specification is believed to be accurate and reliable as of the date provided. However, NVIDIA Corporation (“NVIDIA”) does not give any representations or warranties, expressed or implied, as to the accuracy or completeness of such information. NVIDIA shall have no liability for the consequences or use of such information or for any infringement of patents or other rights of third parties that may result from its use. This publication supersedes and replaces all other specifications for the product that may have been previously supplied.

NVIDIA reserves the right to make corrections, modifications, enhancements, improvements, and other changes to this specification, at any time and/or to discontinue any product or service without notice. Customer should obtain the latest relevant specification before placing orders and should verify that such information is current and complete.

NVIDIA products are sold subject to the NVIDIA standard terms and conditions of sale supplied at the time of order acknowledgement, unless otherwise agreed in an individual sales agreement signed by authorized representatives of NVIDIA and customer. NVIDIA hereby expressly objects to applying any customer general terms and conditions with regard to the purchase of the NVIDIA product referenced in this specification.

NVIDIA products are not designed, authorized or warranted to be suitable for use in medical, military, aircraft, space or life support equipment, nor in applications where failure or malfunction of the NVIDIA product can reasonably be expected to result in personal injury, death or property or environmental damage. NVIDIA accepts no liability for inclusion and/or use of NVIDIA products in such equipment or applications and therefore such inclusion and/or use is at customer’s own risk.

NVIDIA makes no representation or warranty that products based on these specifications will be suitable for any specified use without further testing or modification. Testing of all parameters of each product is not necessarily performed by NVIDIA. It is customer’s sole responsibility to ensure the product is suitable and fit for the application planned by customer and to do the necessary testing for the application in order to avoid a default of the application or the product. Weaknesses in customer’s product designs may affect the quality and reliability of the NVIDIA product and may result in additional or different conditions and/or requirements beyond those contained in this specification. NVIDIA does not accept any liability related to any default, damage, costs or problem which may be based on or attributable to: (i) the use of the NVIDIA product in any manner that is contrary to this specification, or (ii) customer product designs.

No license, either expressed or implied, is granted under any NVIDIA patent right, copyright, or other NVIDIA intellectual property right under this specification. Information published by NVIDIA regarding third-party products or services does not constitute a license from NVIDIA to use such products or services or a warranty or endorsement thereof. Use of such information may require a license from a third party under the patents or other intellectual property rights of the third party, or a license from NVIDIA under the patents or other intellectual property rights of NVIDIA. Reproduction of information in this specification is permissible only if reproduction is approved by NVIDIA in writing, is reproduced without alteration, and is accompanied by all associated conditions, limitations, and notices.

ALL NVIDIA DESIGN SPECIFICATIONS, REFERENCE BOARDS, FILES, DRAWINGS, DIAGNOSTICS, LISTS, AND OTHER DOCUMENTS (TOGETHER AND SEPARATELY, “MATERIALS”) ARE BEING PROVIDED “AS IS.” NVIDIA MAKES NO WARRANTIES, EXPRESSED, IMPLIED, STATUTORY, OR OTHERWISE WITH RESPECT TO THE MATERIALS, AND EXPRESSLY DISCLAIMS ALL IMPLIED WARRANTIES OF NONINFRINGEMENT, MERCHANTABILITY, AND FITNESS FOR A PARTICULAR PURPOSE. Notwithstanding any damages that customer might incur for any reason whatsoever, NVIDIA’s aggregate and cumulative liability towards customer for the products described herein shall be limited in accordance with the NVIDIA terms and conditions of sale for the product.

Trademarks

NVIDIA, the NVIDIA logo, CUDA, GRID vGPU, Kepler, NVIDIA GPU Boost, NVIDIA Maxwell, and Tesla are trademarks and/or registered trademarks of NVIDIA Corporation in the U.S. and other countries. Other company and product names may be trademarks of the respective companies with which they are associated.

Copyright

© 2015 NVIDIA Corporation. All rights reserved.