



Board Specification

Tesla C1060 Computing Processor Board

Document Change History

Version	Date	Responsible	Description of Change
01	July 10, 2008	SG, SM	Preliminary Release
02	July 15, 2008	SG, SM	Minor text updates Updated Support Information section
03	September 22, 2008	SG, SM	Initial Release Updated thermal information Minor text updates

Table of Contents

Tesla C1060 Overview	1
Key Features	1
Computing Processor Description	2
Configuration	3
Mechanical Specifications	4
PCI Express System	4
Standard I/O Connector Placement	5
Internal Connectors and Headers	6
External PCI Express Power Connectors	6
4-Pin Fan Connector	9
Power Specifications	11
Thermal Specifications	12
Thermal Qualification Summary	12
Cooling Solution	14
Support Information	16
Languages	16
Certificates and Agencies	17
Agencies	17

List of Figures

Figure 1.	Tesla C1060 Block Diagram.....	2
Figure 2.	Tesla C1060 Computing Processor Board.....	4
Figure 3.	Tesla C1060 Bracket (No Connectors)	5
Figure 4.	6-Pin PCI Express Power Connector	7
Figure 5.	8-Pin PCI Express Power Connector	8
Figure 6.	4-Pin Fan Connector	10
Figure 7.	TM72 Active Fan Sink	14

List of Tables

Table 1.	Board Configuration	3
Table 2.	6-Pin PCI Express Power Connector Pinout	9
Table 3.	8-Pin PCI Express Power Connector Pinout	9
Table 4.	4 Wire Thermal Control Pinout	10
Table 5.	Configuration with External PCI Express Connectors.....	11
Table 6.	Test Setup and Configuration	13
Table 7.	Sample Thermal Results and Specification	13
Table 8.	Fan Specifications and Conditions	15
Table 9.	Environmental Specifications and Conditions.....	15
Table 10.	Languages Supported.....	16

Tesla C1060 Overview

The NVIDIA® Tesla™ C1060 computing processor board is a PCI Express 2.0 full-height (4.376 inches by 10.50 inches) form factor computing add-in card based on the NVIDIA Tesla T10 graphics processing unit (GPU). This board is targeted as high-performance computing (HPC) solution for PCI Express systems.

The Tesla C1060 is capable of 933 GFLOPs/s of processing performance and comes standard with 4 GB of GDDR3 memory at 102 GB/s bandwidth.

Key Features

GPU

- ❑ Number of processor cores: 240
- ❑ Processor core clock: 1.296 GHz
- ❑ Voltage: 1.1875 V
- ❑ Package size: 45.0 mm × 45.0 mm 2236-pin flip-chip ball grid array (FCBGA)

Board

- ❑ Fourteen layer printed circuit board (PCB)
- ❑ PCI Express 2.0 ×16 system interface
- ❑ Physical dimensions: 4.376 inches × 10.50 inches, dual slot
- ❑ Board power dissipation: <200 W

External Connectors

- ❑ None

Internal Connectors and Headers

- ❑ One 6-pin PCI Express power connector
- ❑ One 8-pin PCI Express power connector
- ❑ 4-pin fan connector

Memory

- ❑ 800 MHz
- ❑ 512-bit memory interface
- ❑ 4 GB: Thirty-two pieces $32\text{M} \times 32$ GDDR3 136-pin BGA, SDRAM

BIOS

- ❑ 1Mbit Serial ROM

Computing Processor Description

Figure 1 is a block diagram of the Tesla C1060 computing processor.

Tesla C1060 Computing Processor

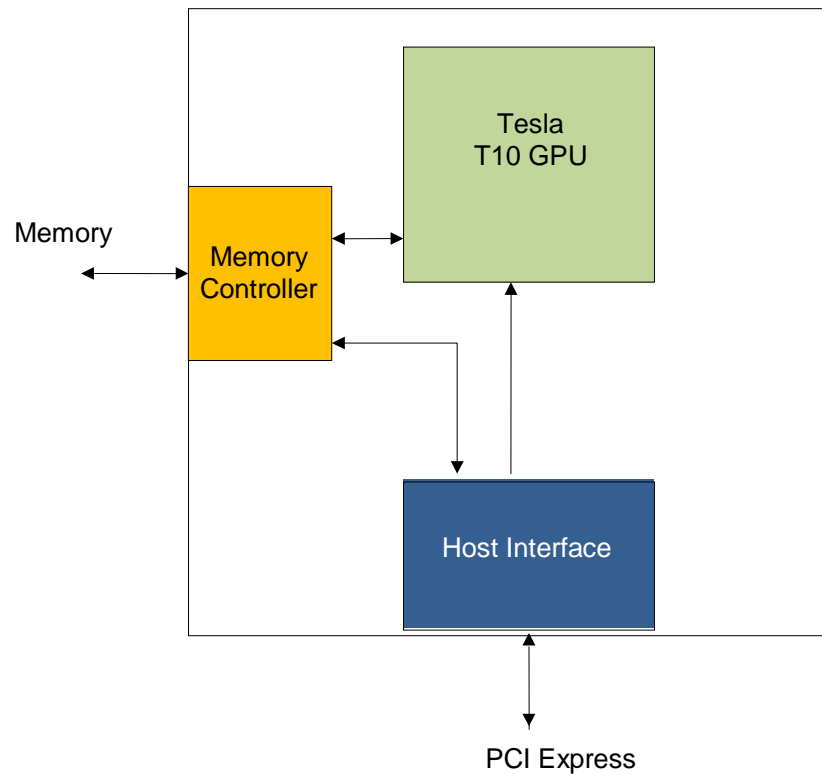


Figure 1. Tesla C1060 Block Diagram

Configuration

There is one configuration available (Table 1) for the Tesla C1060 board.

Table 1. Board Configuration

Specification	Description
Generic SKU reference	900-20607-0000-000
Chip	Tesla T10 GPU
Package size: GPU	45.0 x 45.0 mm
Processor clock	1296 MHz
Memory clock	800 MHz
Memory size	4 GB
Memory I/O	512-bit GDDR3
Memory configuration	32 pcs 32M × 32 GDDR3 SDRAM
External connectors	None
Internal connectors and headers	8-pin PCI Express power connector 6-pin PCI Express power connector 4-pin fan connector
Board power	200 W maximum (160 W typical)
Thermal cooling solution	TM72 active fan sink

Mechanical Specifications

PCI Express System

The Tesla C1060 computing processor board (Figure 2) conforms to the PCI Express full height (4.376 inches by 10.50 inches) form factor.

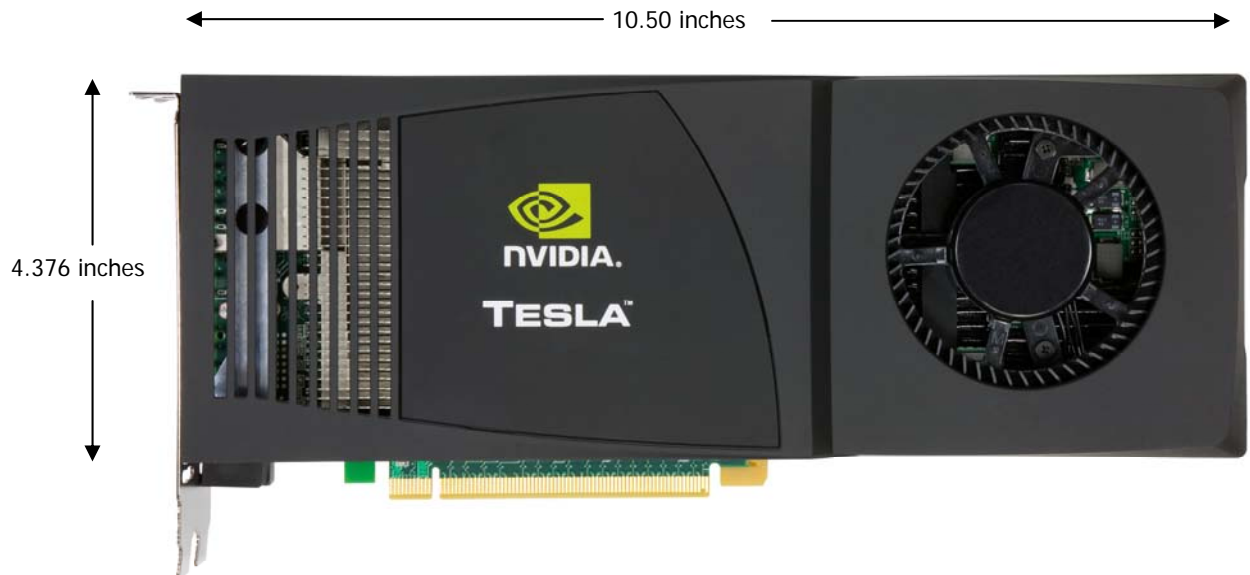


Figure 2. Tesla C1060 Computing Processor Board

Standard I/O Connector Placement

As shown in Figure 3, the Tesla C1060 does not include any external I/O connectors.



Figure 3. Tesla C1060 Bracket (No Connectors)

Internal Connectors and Headers

The Tesla C1060 board supports the following internal connectors and headers.

- ❑ 8-pin PCI Express power connector (can be used with a 6-pin power cable)
- ❑ 6-pin PCI Express power connector
- ❑ 4-pin fan connector

External PCI Express Power Connectors

The Tesla C1060 is a performance-optimized, high-end board and utilizes power from the PCI Express connector as well as external power connectors. The board can be used in two different ways.

- ❑ One 8-pin PCI Express power connector or
- ❑ Two 6-pin PCI Express power connectors

Note: When connecting two 6-pin power cables to the two power connectors on the Tesla C1060 board, ensure that both power cables come from the same power rail. For example, the same 12 V power supply.

Figure 4 and Figure 5 show the specifications, and Table 2 and Table 3 show the pinouts for the 6-pin and 8-pin external PCI Express power connectors, respectively.

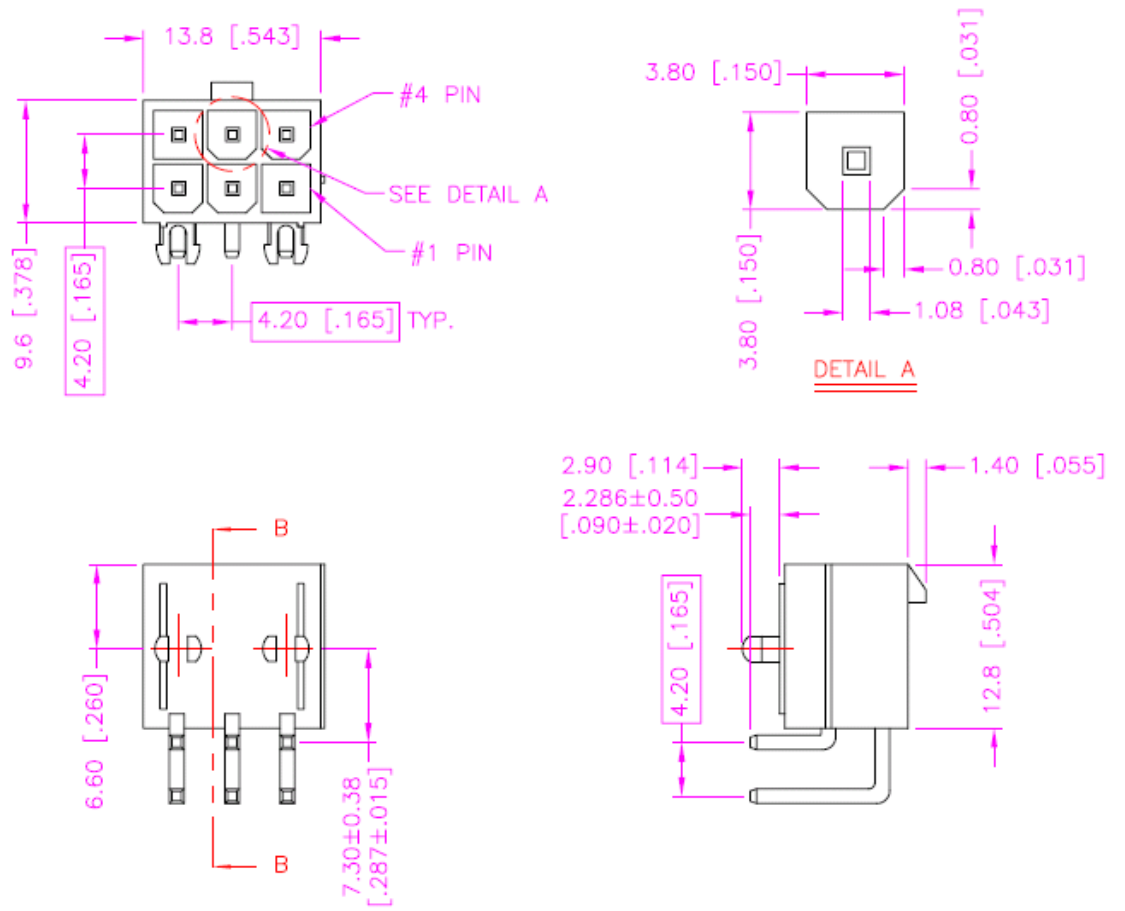


Figure 4. 6-Pin PCI Express Power Connector

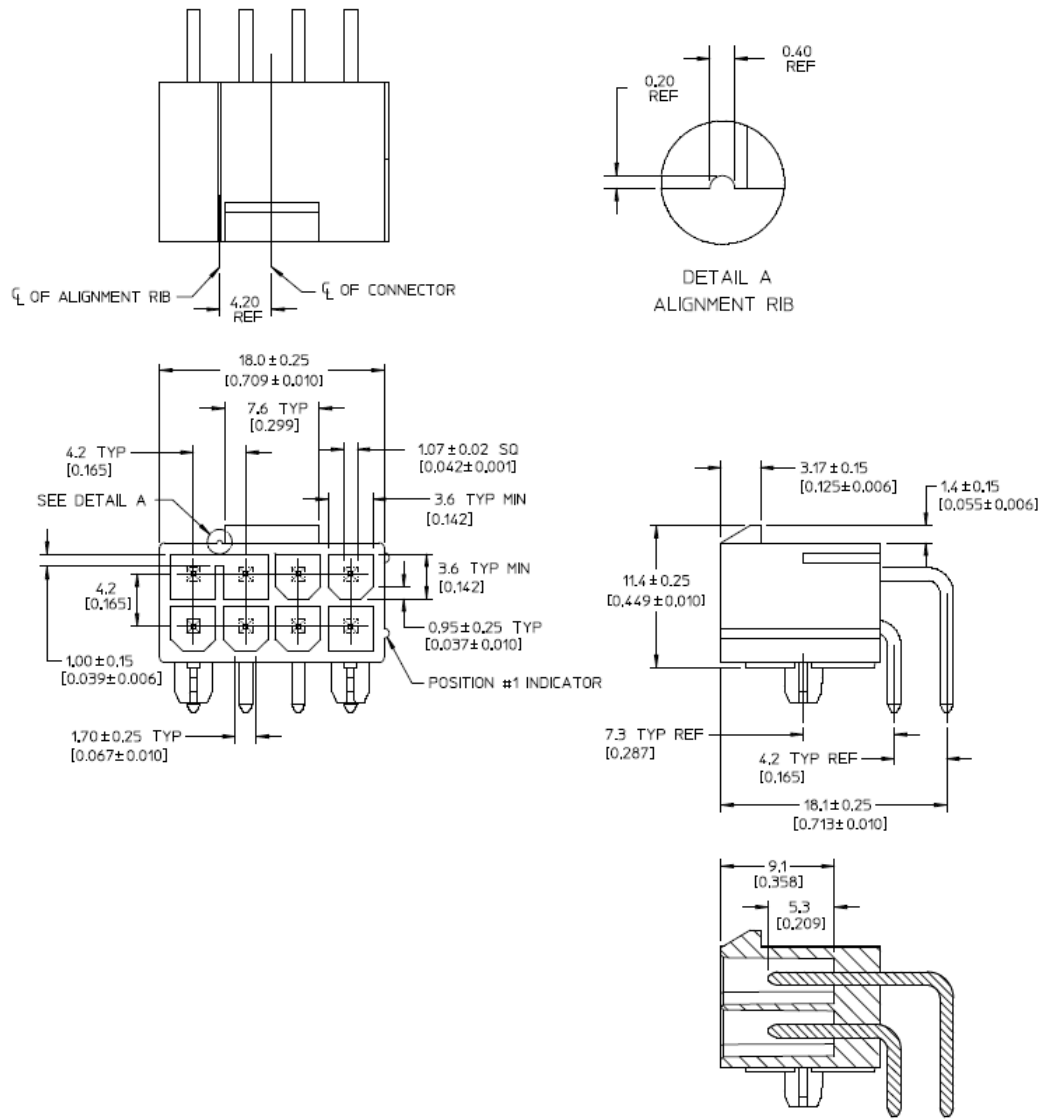


Figure 5. 8-Pin PCI Express Power Connector

Table 2. 6-Pin PCI Express Power Connector Pinout

Pin Number	Description
1	+12 V
2	+12 V
3	+12 V
4	GND
5	Sense
6	GND

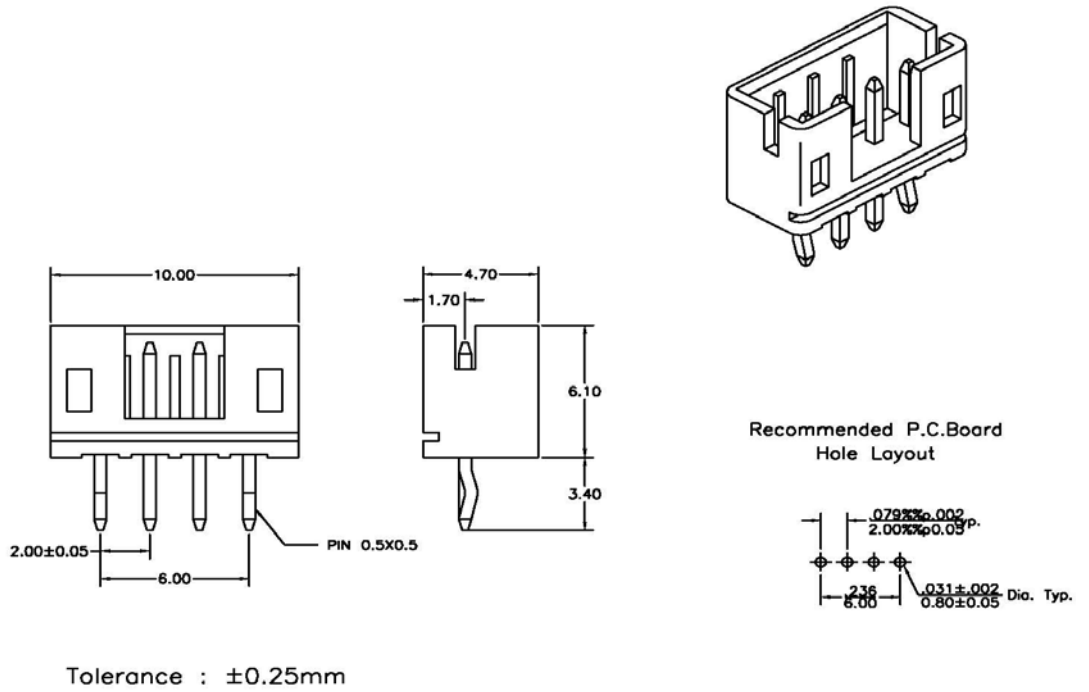
Table 3. 8-Pin PCI Express Power Connector Pinout

Pin Number	Description
1	+12 V
2	+12 V
3	+12 V
4	Sense1
5	GND
6	Sense0
7	GND
8	GND

4-Pin Fan Connector

The Tesla C1060 board uses a 4-pin fan to control the fan speed of the thermal solution. The details of the connector (P/N: PH-T-4) are given in Figure 6. This part is a 2.0 mm (0.079") pitch disconnectable connector.

Table 4 lists the pin assignments for this connector.



Specifications:

- * Current Rating : 2A AC, DC
- * Voltage Rating : 250V AC, DC
- * Temperature Range : -40°C to $+105^{\circ}\text{C}$
- * Contact Resistance : Initial Value/10 m Ω Max.
After Environmental Testing /20 m Ω Max.
- * Insulation Resistance : 1000 M Ω Min.
- * Withstand Voltage : 1500 VAC/Minute
- * RoHs compliant.

Features:

- **Wafer**
- * Model No. : PH-T-4
- * Circuits : 4
- * Material : Post : Brass Tin/Plated
Base : Nylon 66, UL94V-0
- * P.C.Board Thickness : 1.6mm(.063")

Figure 6. 4-Pin Fan Connector

Table 4. 4 Wire Thermal Control Pinout

Pin Number	Description
1	PWM (to fan)
2	TACH (from fan)
3	+12 V
4	GND

Power Specifications

The Tesla C1060 computing processor is a performance optimized high-end board solution. Power is taken from the PCI Express host bus as well as either one 8-pin or two 6-pin PCI Express power connectors.

Note: When connecting two 6-pin power cables to the two power connectors on the Tesla C1060 board, ensure that both power cables come from the same power rail. For example, the same 12 V power supply.

Without auxiliary power provided to the Tesla C1060 board, the board will not boot and LED lights on the board will light up as listed in Table 5. This table outlines the different possible scenarios as well as the resulting behaviors.

Table 5. Configuration with External PCI Express Connectors

8-pin Power Connector	6-pin Power Connector	Result
Connected (either 8-pin or 6-pin)	Connected	Full Power – LED light on the bracket is GREEN by default
8-pin Connected	Not Connected	Full Power – LED light on the bracket is GREEN by default
6-pin Connected	Not Connected	LED light is RED – board will not boot to OS
Not Connected	Connected	LED light is RED – board will not boot to OS
Not Connected	Not Connected	LED light is RED – board will not boot



Thermal Specifications

Thermal Qualification Summary

The information contained in this summary report is intended to provide users of the Tesla C1060 computing processor with thermal information necessary to assist in thermal management efforts. This information is not intended to provide a specific thermal management solution. However, it does show an approach that result in the reliable operation of the Tesla C1060.

The product and cooling solutions used are:

- ❑ Device product: Tesla C1060 board
- ❑ Cooling solution: Fan sink solution, Cooler Master TM72 NV P/N: 580-10607-2000-000. The cooling solution assembly includes a heat sink, fan, backplate, thermal grease interface material, and screws.
- ❑ Result: Under the operating conditions described in the following tables, the Tesla C1060 passed thermal qualification.

Table 6. Test Setup and Configuration

System Part	Configuration
PC	Motherboard attached to a chassis frame – entire unit placed in an acrylic box
Motherboard	NVIDIA nForce® 790i Ultra SLI
Power Supply	ThermalTake 1000 W
CPU	Intel Core 2 Extreme QX9650 Yorkfield 3.0 GHz 12 MB L2 Cach LGA 775 130 W Quad-Core processor
SDRAM	DDR3 1333; 2 – 1 GB OCZ memory cards
PC Operating System	Windows XP 32-bit
GPU Computing ProcessingBoard	Tesla C1060
BIOS	62.00.1E.00.00
Display Driver	177.83
GPU	Tesla T10
Clock Speed	1.296 GHz (core) 800 MHz (mclk)

Table 7. Sample Thermal Results and Specification

Test Application	Tjunction(°C)*	TA(°C)**	Cooling Solution
Test 1: 3DMark06/GT2 Firefly	87	45.4	Fan sink solution, NV P/N 580- 10607-2000-000
GPU junction maximum temperature specification under any operating conditions.	102	At any ambient Temperature	

* Junction temperature is reported by NVIDIA thermal sensor

** Ambient air temperature – average of 3 sensors positioned at the inlet to the GPU fan

Cooling Solution

NVIDIA will utilize a CoolerMaster TM72 active fan sink (Figure 7) to cool the GPU, memories and power supply components. For fan and environmental specifications refer to Table 8 and Table 9.

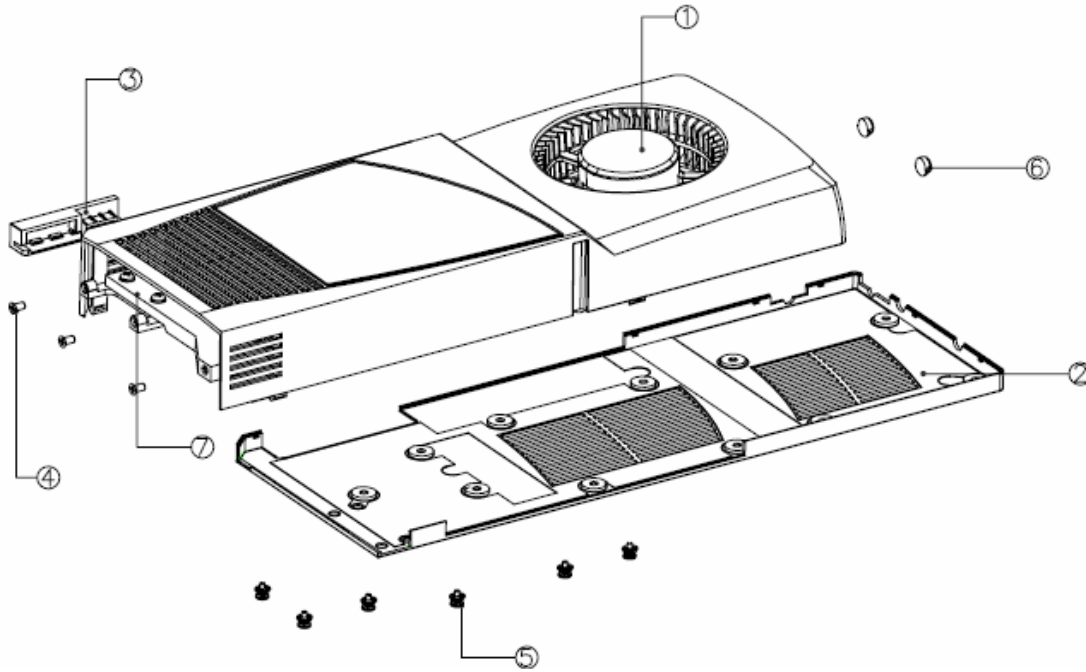


Figure 7. TM72 Active Fan Sink

Table 8. Fan Specifications and Conditions

Specifications	Conditions
Rated voltage	12 V DC
Operating voltage	5 V ~ 13.2 V DC
Rated current	0.48 Amp
Rated power	5.76 W
Speed	2600 RPM \pm 10%
Acoustic noise	39.4 dB(A); maximum 43.3 dB(A)
Life expectance	70,000 hours continuous operation at 40 °C with 15 – 65 % relative humidity

Table 9. Environmental Specifications and Conditions

Specifications	Conditions
Operating temperature	0 °C to 45 °C
Storage temperature	All function shall be normal after 500 hours at -10 °C to 70 °C at normal humidity with a 24 hours recovery period at room temperature
Operating humidity	5% to 90 % RH
Storage humidity	5% to 95 % RH

Support Information

Languages

Table 10. Languages Supported

	WinXP	Linux
English (US)	x	x
English (UK)	x	
Arabic	x	
Chinese, Simplified	x	
Chinese, Traditional	x	
Danish	x	
Dutch	x	
Finnish	x	
French	x	
French (Canada)	x	
German	x	
Italian	x	
Japanese	x	
Korean	x	
Norwegian	x	
Portuguese (Brazil)	x	
Russian	x	
Spanish	x	
Spanish (Latin America)	x	
Swedish	x	
Thai	x	

NOTE: NVIDIA's CUDA™ software is only supported in English (U.S.)

Certificates and Agencies

Agencies

- ❑ Bureau of Standards, Metrology, and Inspection (BSMI)
- ❑ C-Tick
- ❑ Conformité Européenne (CE)
- ❑ Federal Communications Commission (FCC)
- ❑ Interference-Causing Equipment Standard (ICES)
- ❑ Ministry of Information and Communication (MIC)
- ❑ Underwriters Laboratories (UL)
- ❑ Voluntary Control Council for Interference (VCCI)

Notice

ALL NVIDIA DESIGN SPECIFICATIONS, REFERENCE BOARDS, FILES, DRAWINGS, DIAGNOSTICS, LISTS, AND OTHER DOCUMENTS (TOGETHER AND SEPARATELY, "MATERIALS") ARE BEING PROVIDED "AS IS." NVIDIA MAKES NO WARRANTIES, EXPRESSED, IMPLIED, STATUTORY, OR OTHERWISE WITH RESPECT TO THE MATERIALS, AND EXPRESSLY DISCLAIMS ALL IMPLIED WARRANTIES OF NONINFRINGEMENT, MERCHANTABILITY, AND FITNESS FOR A PARTICULAR PURPOSE.

Information furnished is believed to be accurate and reliable. However, NVIDIA Corporation assumes no responsibility for the consequences of use of such information or for any infringement of patents or other rights of third parties that may result from its use. No license is granted by implication or otherwise under any patent or patent rights of NVIDIA Corporation. Specifications mentioned in this publication are subject to change without notice. This publication supersedes and replaces all information previously supplied. NVIDIA Corporation products are not authorized for use as critical components in life support devices or systems without express written approval of NVIDIA Corporation.

Trademarks

NVIDIA, the NVIDIA logo, CUDA, HybridPower, nForce, SLI and Tesla are trademarks or registered trademarks of NVIDIA Corporation in the United States and other countries. Other company and product names may be trademarks of the respective companies with which they are associated.

Copyright

© 2008 NVIDIA Corporation. All rights reserved.

