

MAINTENANCE AND REPLACEMENT PARTS

Various spares and accessories are available from your Scalextric Service Dealer. Wheels and axles will need to be replaced as a complete assembly.

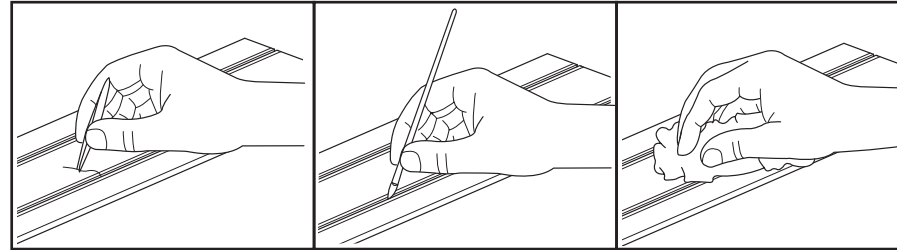
If in any doubt, contact your Scalextric Service Dealer or the Helpline for advice.

Maintenance and replacement of worn parts must be performed by an adult. The removed parts must be kept out of the reach of children.

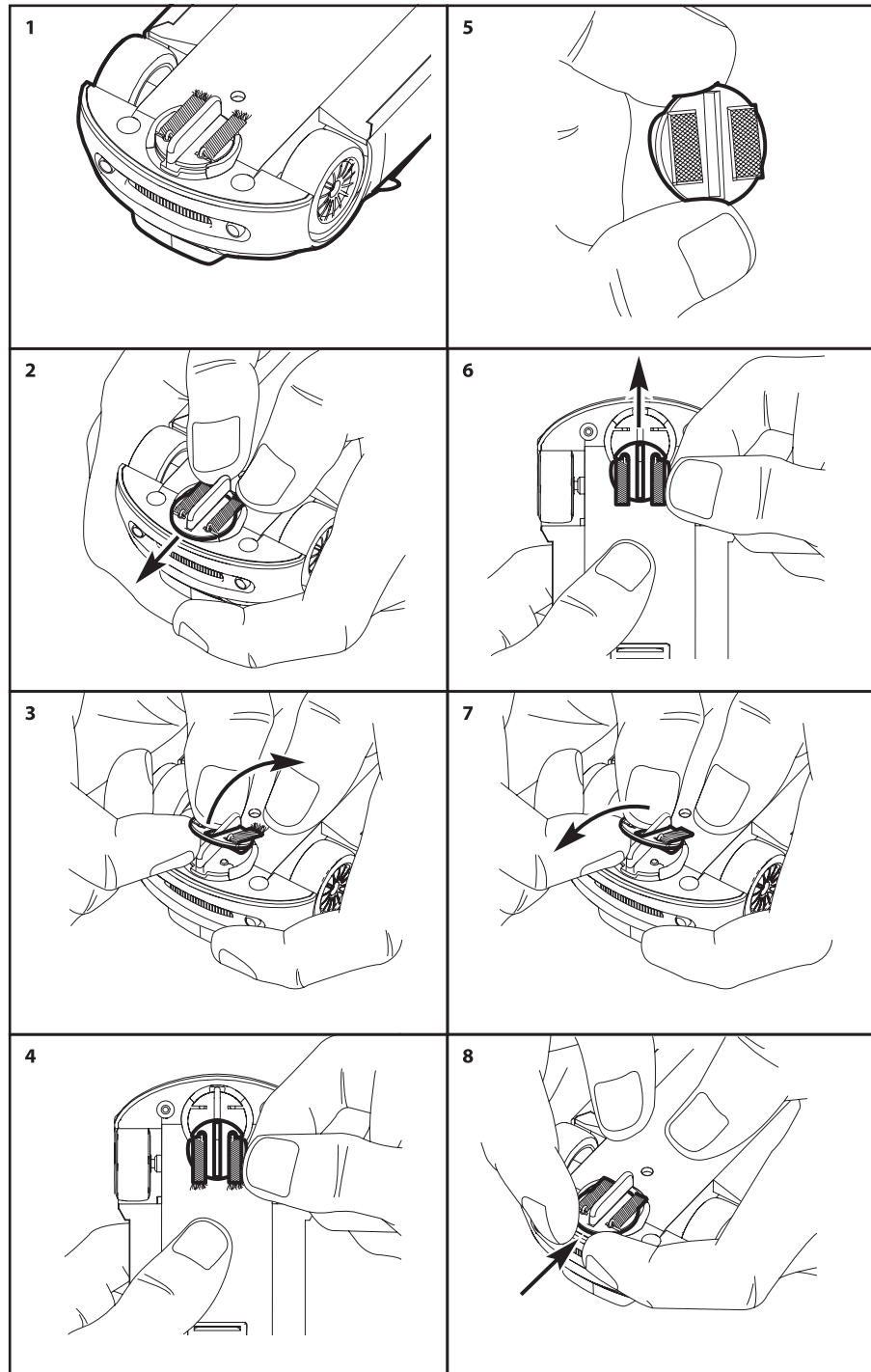
A full list of Scalextric service dealers is available on www.scalextric.com.

Two spare braid plates are included in this set. Further braid plates are available as spares pack C8312.

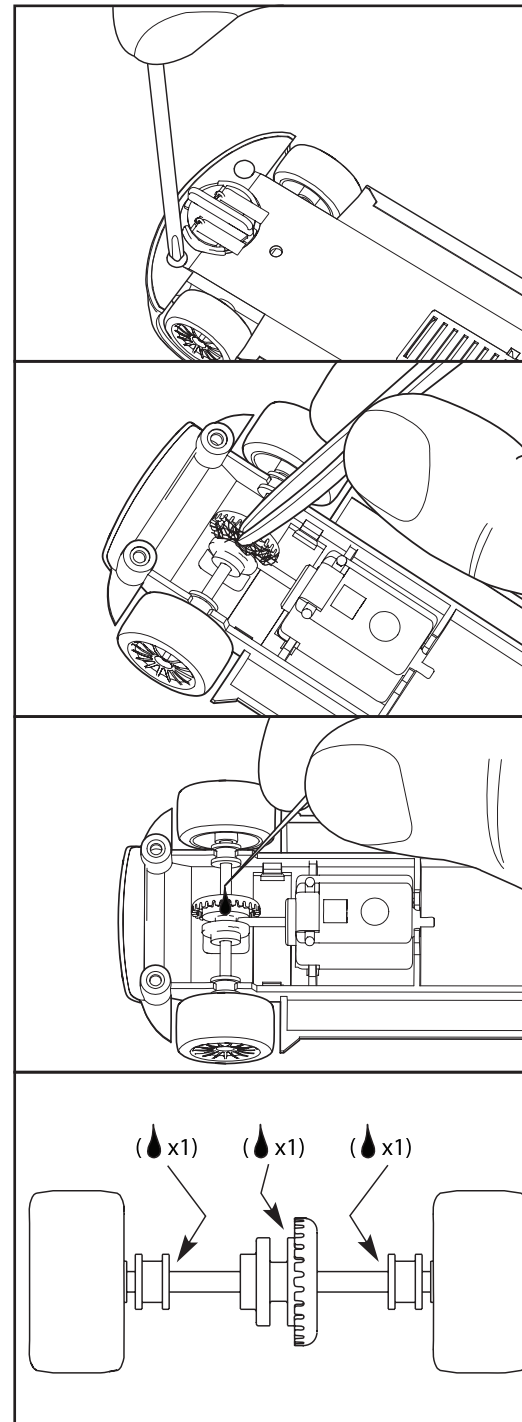
TRACK MAINTENANCE



CHANGING THE BRAIDS



CAR MAINTENANCE



Set Instructions

Warning

Not suitable for children under 3 years because:

- of small parts which can present a choking hazard. Some components have functional sharp points and edges – handle with care.
- misuse of a transformer can cause electrical shock.
- misuse of the product may result in hot surfaces.

Safety Notes

- This product is intended for indoor use only.
- If the electric motor in the car is jammed, remove the car from the track and let it cool down. Do not touch the motor casing
- The transformer is not a toy. It is a "Transformer for Toys". Before use, check that the transformer is the correct voltage for your mains electricity supply. This product should only be used with the transformer for toys included in this set. The transformer should be examined regularly for damage to the casing, plug pins and cables. In the event of such damage, the set should not be used until the transformer is replaced with a new Hornby recommended unit. Never attempt to open the transformer yourself.
- Refer to the label on the transformer included in this set for the transformer model number.
- This set must not be connected to more than the recommended number of power supplies. The output terminals of the transformer must not be connected directly, or indirectly, to the output of any other AC circuit derived from a transformer or mains power supply.
- Use only as indicated in the instructions. Do not modify or change any part of the set. Modification may damage the set and invalidate the warranty claim. Use only genuine Scalextric spares and accessories available from your retailer or www.scalextric.com.
- When new, hand controllers may become warm, emit vapour and give off a slight smell. These effects are normal due to the protective coating on internal parts and will disappear after use. However, they may return if the trigger is held continuously in a fixed position while racing.
- Before cleaning any part, disconnect the transformer from the mains electricity supply. Do not use liquid for cleaning.
- Please retain these details and the address for future reference.

HORNBY PRODUCT GUARANTEE

Hornby products are guaranteed against defects in materials or workmanship for a period of six months from purchase.

To qualify for the guarantee, the product must have been used and maintained according to the manufacturers instructions.

If any such defect occurs during the period of guarantee then return to the address below or contact via www.hornby.com or www.scalextric.com or phone 01843-233525.

A full list of Scalextric service dealers is available on www.scalextric.com.

Alternatively, the product (or component), may be forwarded to Hornby Hobbies Limited, carefully packed, with a covering letter enclosed giving full details to:
Repairs Department, Hornby Hobbies Ltd, 3rd Floor, The Gateway, Innovation Way, Discovery Park, Sandwich, CT13 9FF United Kingdom

Please obtain a Certificate of Posting at the time of dispatch.

Subject to the exclusions below, the product will be repaired or replaced free of charge.

Exclusions:

The fault has been caused or is attributable to mis-use, negligent use or used contrary to the manufacturers recommendations.

Accidental physical damage.

This guarantee is valid for products purchased in the United Kingdom and is in addition to, and does not diminish, your statutory rights.

For further information about your statutory rights contact your local authority Trading Standards Department or Citizens' Advice Bureau.

CUSTOMER CARE

If you have a question that has not been answered in this leaflet then please contact Hornby Customer Care using any of the following methods:

- Phone us** Hornby Helpline: +44 (0) 1843233525
- Write to us** Hornby Hobbies Ltd, 3rd Floor, The Gateway, Innovation Way, Discovery Park, Sandwich, CT13 9FF United Kingdom
customercare@hornby.com
- Email us** Alternatively, please check the Scalextric website for updates and frequently asked questions about Scalextric.
- Internet** www.scalextric.com
www.hornbyamerica.com



Hornby Hobbies Ltd, 3rd Floor, The Gateway, Innovation Way, Discovery Park, Sandwich, CT13 9FF

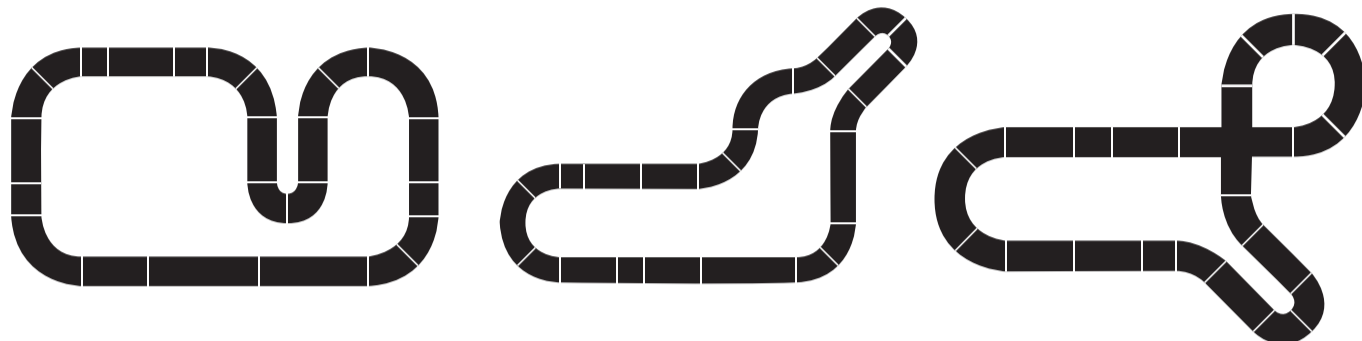
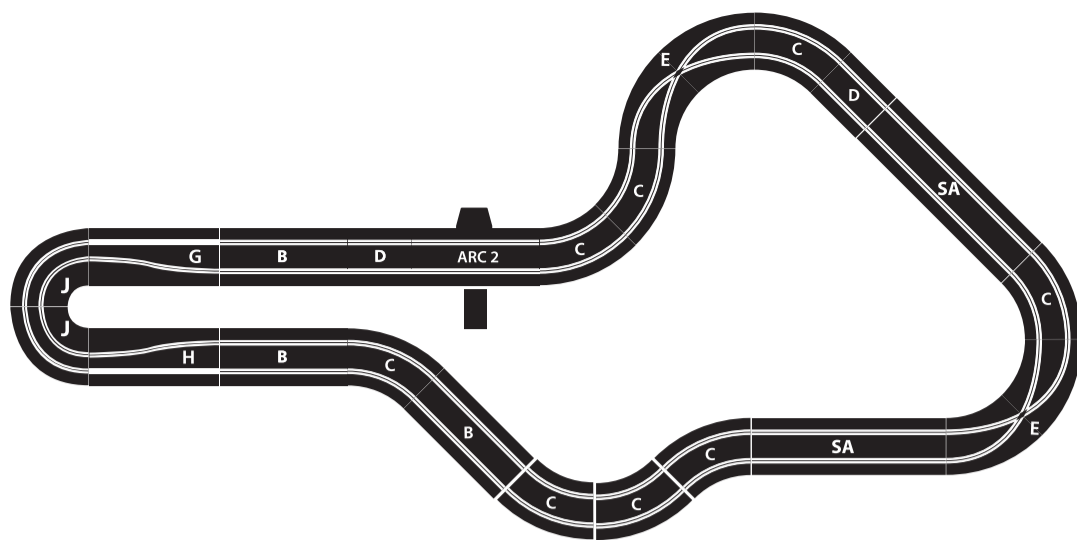
Printed in China

PI-00749



Waste electrical products should not be disposed of with household waste. Please recycle where facilities exist. Check with your Local Authority or retailer for recycling advice.

CONTENTS	
	x2
	x1
	x1
	x3
	x8
	x2
	x2
	x1
	x1
	x2
	x2
	x2
	x1
	x4
	x8
	x2
	x4



Track Reference codes shown on the track diagrams are marked on the underside of each track piece.

- To get you started, follow the numbered illustrations to assemble the layout, using the circuit diagram as a guide.
! If track clicks have flattened during storage, adjust as shown in 1a to ensure that they are fully engaged when assembled.
- Add the track supports under the track (if required) in the positions indicated on the track diagrams.
- Insert the plug on the wall mounted transformer into the socket on the Powerbase. Switch on the power at the wall socket. Bind controllers to corresponding lanes (Red and Green).
- Place the cars onto the track ensuring that their guide blades are located fully in the track slots.
- To race, gently squeeze the trigger on the hand controller to accelerate along the straights and release the trigger to slow down for the curves. The further the trigger is squeezed the faster the car will go.
- Attach lanyard to the bottom of the controller and loop around wrist for added security whilst racing.

Any problems?

Most problems are easily cured by cleaning or adjusting the pick-up braids under the car and if necessary replacing the braid plate unit. Spare braid plate units are supplied in the set together with instructions on how to fit them.

- Check that the guide blade unit can rotate freely.
- Check that the cars are properly located in the slot and that both pick-up braids are making good contact with the track rails.
- If required adjust the position of the pick-up braids with a screwdriver or similar tool to ensure that they make good contact with the track rails.
- An old toothbrush is ideal for straightening or cleaning the braids.

If you still have problems

- Check the power plug is properly inserted into the powerbase.
- Check that the power is turned on at the wall socket.
- Check that both cars are not in the same slot.
- Check that you are operating the correct hand controller by trying the other one.
- Check that all the track sections are properly connected with good electrical connections throughout.
- Check the slots in the track for any debris that could cause the car guide blade to stick.
- Wipe the track with a clean, non-fluffy cloth. Do the same for the rear tyres of the cars. Never use abrasive materials or liquids for cleaning.
- Check that the rear wheels of the cars can turn freely. Check for any debris that could prevent free movement and that the axle has not been dislodged from its mounting clips.
- If the electric motor in the car becomes jammed, remove the car from the track and let it cool down. Do not touch the motor casing. Call the Customer Care Helpline for advice.
- Check hand controllers are powered and bound correctly to each lane

Short circuits

- There is a safety cut-out in the transformer that automatically switches off the power if there is a short circuit. If this happens, unplug the transformer, remove the cause of the short circuit, plug the transformer back in and switch it on. The cut-out will reset itself about 60 seconds after you have unplugged the transformer.
- To find the cause of the short circuit look in particular for any metal objects that might have fallen across the track rails or in the slot. Check that no loose strands of braid from the cars have fallen into the slot or wrapped around the wrong side of the car's guide blade.

If you keep crashing

- Remove any debris on the track or in the slot.
- Check that the car's pick-up braids are not pushing up the front of the car so that the guide blade cannot fit fully down into the slot.
- Maybe all you need to do is...slow down! Release the trigger as the car approaches the curves and squeeze the trigger gently when the car is on the straights.
- For beginners reduce the max power in the ARC app to prevent excess speed.

