



1st Go-Kart RTR

NEW GENERATION

Ⓒ	Instruction Manual	Page	2 - 12
Ⓓ	Betriebsanleitung	Seite	13 - 23
Ⓕ	Mode d'emploi	Page	24 - 35
Ⓔ	Instrucciones	Página	36 - 47
Ⓘ	Istruzioni d'uso	Pagina	48 - 58



Dear Customer

We congratulate you for buying this CARSON RC model car, which is designed using state of the art technology.

According to our policy of steady development and product improvement we reserve the right to make changes in specifications concerning equipment, material and design at any time without notice.

Specifications or designs of the actual product may vary from those shown in this manual or on the box.

The manual forms part of this product. Should you ignore the operating and safety instructions, the warranty will be void. Keep this guide for future reference.

Limited Warranty

This product is warranted by CARSON against manufacturing defects in materials and workmanship under normal use for 24 months from the date of purchase from authorised franchisees and dealers. In the event of a product defect during the warranty period, return the product along with your receipt as proof of purchase to any CARSON store.

CARSON will, at its option, unless otherwise provided by law:

- (a) Correct the defect by repairing the product without charging for parts and labour
- (b) Replace the product with one of the same or similar design; or
- (c) Refund the purchase price.

All replacement parts and products, and products on which a refund is made, become the property of CARSON. New or reconditioned parts and products may be used in the performance of warranty services.

Repaired or replaced parts and products are warranted for the remainder of the original warranty period. You will be charged for repair or replacement of the product made after the expiration of the warranty period.

The Warranty does not cover:

- Damage or failure caused by or attributable to acts of God, abuse, accident, misuse, improper or abnormal usage, failure to follow instructions, improper installation or maintenance, alteration, lightning or other incidence of excess voltage or current;
- Damage caused by losing control of your car;
- Any repairs other than those provided by a CARSON Authorised Service Facility;
- Consumables such as fuses or batteries;
- Cosmetic damage;
- Transportation, shipping or insurance costs; or
- Costs of product removal, installation, set-up service adjustment or reinstallation.

This warranty gives you specific legal rights, and you may also have other rights which may vary according to the country of purchase.

Declaration of conformity

Dickie-Tamiya GmbH & Co. KG hereby declares that this model kit with radio, motor, battery and charger is in accordance with the basic requirements of the following European directives: 98/37 EG and 89/336/EWG and other relevant regulations of guideline 1999/5/EG (R&TTE).

The original declaration of conformity can be obtained from the following address:

Dickie-Tamiya GmbH & Co. KG • Werkstraße 1 • D-90765 Fürth • Germany



The explanation of the symbol on the product, packaging or instructions:

Electronic devices are valuable products and should not be disposed of with the household waste when they reach the end of their running time! Help us to protect the environment and respect our resources by handing this appliance over at the relevant recycling points.

We wish you good luck and a lot of fun driving with your CARSON model car.

Before driving your new model carefully read these instructions!

Contents

Preface.....	2
Included Items.....	3
Safety Precautions.....	4
Additional Items Needed for Starting the Engine.....	5
Tools Needed for the Assembly.....	6
a. Your 3 Channel Radio System.....	6
b. Chassis.....	7
c. Plug in Receiver Battery.....	7
d. Check 1...2...3.....	8
e. Final Preparations.....	8
f. Showtime... almost!.....	9
g. Turn the Power Switch on.....	10
h. How to Control your Model.....	10
i. How to Change Frequencies.....	11
j. Care and Maintenance.....	11
k. Troubleshooting.....	12
Assembly.....	59
Spare Parts.....	82
2.5 cm ³ Motor.....	85

Included Items



Transmitter



Dummy driver is not included.

This can be purchased as an optional extra under Item N° 50 010 5034.

Model

Safety Precautions

Safety Precautions and Operating Guidelines

This radio control model vehicle must only be run on an approved model fuel. Always avoid running radio control models in restricted, confined or populated areas. Keep away from roads, highways, people and animals. Never run the model indoors.

No goods, people or animals may be transported using a RC model car with combustion engine.

Please ensure that you have read all the safety instructions and operating procedures before driving the model!

The body shell should be correctly attached to the vehicle before driving.

Allow cooling time for the exhaust and engine components before removing the body shell. These parts become extremely hot during operation and could cause serious injury.

Do not operate the model permanently where noise may cause a nuisance to others, because then you may damage your hearing.

To avoid the model running with a faulty control system causing it to drive erratically, check that the batteries in the transmitter and receiver are properly charged.

Always check that all the nuts, bolts and screws and components are not loose. Retighten and adjust as necessary.

Fill the fuel tank and firmly push the tank lid shut. Clean up any fuel spillages.

This model is not a toy!

- This radio controlled model is not a toy. Learning how to control it correctly is a gradual process.
- Children under 14 years of age should be supervised by an adult.

Driving a radio controlled car is a fascinating hobby. However, it has to be practised with the necessary caution and respect. A radio controlled model car can cause damage and injury and the user is liable for any such incident. If driven erratically, a fairly heavy remote-controlled model car which is capable of reaching a high speed can cause substantial damage and injury for which you as the operator are responsible.

Make sure that you have sufficient insurance cover when practising your hobby. Only a well maintained model will function in a correct manner.

Only use approved spare parts and never improvise with any unsuitable items. It is the user's responsibility to ensure that the model is functioning correctly and that all nuts, bolts and screws are properly tightened.

Pay attention to the charge level indicator lamps of your transmitter.

- Batteries for transmitter and receiver are well charged and of the correct voltage.
- Always check the range of radio operation before starting the car.
- Make sure that all servos respond correctly to the signals of the transmitter.
- All operable parts are in good condition and you have tested their operation.
- You have made sure that all screws are tightened.
- There is no other RC or similar transmitter nearby, which could cause interference. Any further radio signal on the same frequency can cause the loss of control for your model. Always switch on the transmitter first to avoid any uncontrolled reaction of the receiver to a foreign radio impulse.
- Fully extend the transmitter antenna and make sure that nobody in your environment controls a model with the same frequency (number on the crystal) and that there is no discernable interference. To end the operation switch off the receiver first, then the transmitter.
- Keep your car away from high voltage cables or radio masts. Never use the model during lightning!
- Atmospheric disturbances can affect the signals of your remote controlling transmitter.
- Do not use the model in wet areas. The electrical connection of the model is not waterproof. Therefore do not drive while it's raining, snowing, or in puddles or wet grass.
- Always avoid running radio control models in restricted, confined or populated areas.
- Keep away from roads, highways, people and animals!
- Do not drive, if you are overtired or your reactions are impaired in any way.
- Watch your model constantly and do not become distracted.
- The body shell should be correctly attached to the vehicle before driving.
- Regular maintenance and servicing is required to ensure top performance.
- Allow cooling time for the engine components before removing the body shell. Some parts (e.g. the motor and the muffler) become extremely hot during operation and could cause serious injury.

Pay attention to the charge indications on your transmitter.

- Ensure that the batteries for the radio and receiver are fully charged and of the correct voltage. When the batteries are running low you might lose control of your model.
- Never use batteries which have already run low, or batteries of a different capacity at the same time.
- Never load batteries which are not rechargeable.

If you do not use the model for a longer time you must remove the batteries.

Please read the following points concerning fuel:

- Keep the fuel in a secure and safe place and away from children and animals.
- Ensure that the container lid is tightly closed.
- Store the fuel in a well ventilated area and away from moisture.
- Glow fuel is extremely flammable. Keep away from heat sources, naked flames, electrical appliances and batteries. Do not smoke.
- Avoid skin contact and do not swallow. Read the warning labels on the container.

Dispose of empty fuel containers in an approved manner. Never throw empty cans into a fire.

In case of an accident or ingestion contact a doctor immediately. (Present the label of the fuel container if possible.)

Finally

Please read the instructions before operating your model.

Each time you have finished driving the model, always check the correct operation of the components. A single loose screw can result in a dangerous situation for your model. Maintain your model regularly and replace damaged or worn out parts by genuine spare parts.

We wish you great fun with your CARSON model car!

Additional Items Needed for Starting the Engine

Glow plug heater

50 090 5042



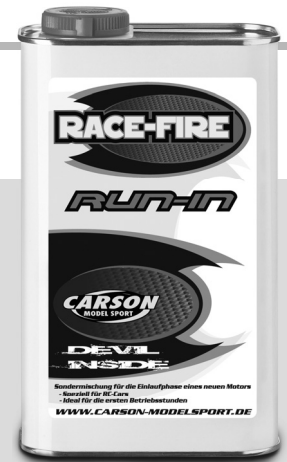
After Run Oil
50 090 5044

Air Filter Oil
50 003 2648

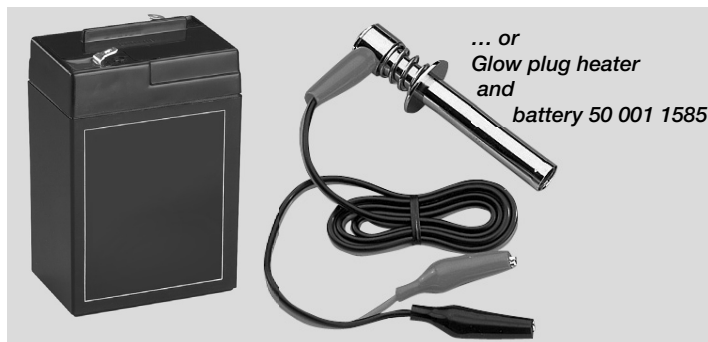


Fuel bottle

50 001 3330



Fuel



... or
Glow plug heater
and
battery 50 001 1585

CARSON-Fuel

Liter	Nitromethan	N°	Usage
1,0	10%	50 090 5052	Run in/Beginner
1,0	16%	50 090 5053	Normal
2,5	16%	50 090 5054	Normal
1,0	25%	50 090 5055	Race
2,5	25%	50 090 5056	Race

CARSON-ROSSI glow plugs

N°	Article	Motor	Fuel	Temperature
50 090 5006	Glow plug Rossi R2 hot	2 - 3,5 ccm	without Nitro	+0° - +15C°
50 090 5007	Glow plug Rossi R3 medium	3,5 - 6 ccm	without Nitro	-2° - +18C°
50 090 5008	Glow plug Rossi R4 cold	6 - 10 ccm	without Nitro	-5° - +20C°
50 090 5009	Glow plug Rossi R5 extra	3,5 - 10 ccm	10% Nitro	-7° - +22°
50 090 5010	Glow plug Rossi R6 cold	universal	10-13% Nitro	+10° - +25°
50 090 5011	Glow plug Rossi R7 cold	universal	13-15% Nitro	+15° - +30°
50 090 5012	Glow plug Rossi R8 extra cold	universal	13-15% Nitro	+20° - +40°

For the transmitter you need 8 AA batteries/ rechargeable batteries.

Tools Needed for the Assembly

Modelling knife 50 007 4053



Instant adhesive 50 005 3339



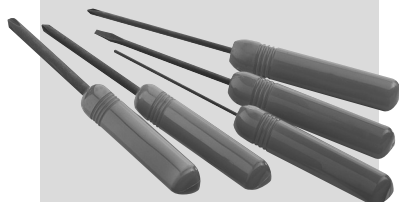
Needle nose pliers 50 007 4034



Scissors 50 001 3305



Philips screwdriver (small and big) and hex-wrench 1,5/ 2 / 2,5 mm 50 007 4023



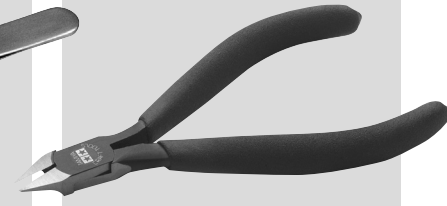
Hexagonal wrench 50 001 3118



Tweezers 50 007 4003



Side cutter 50 007 4035

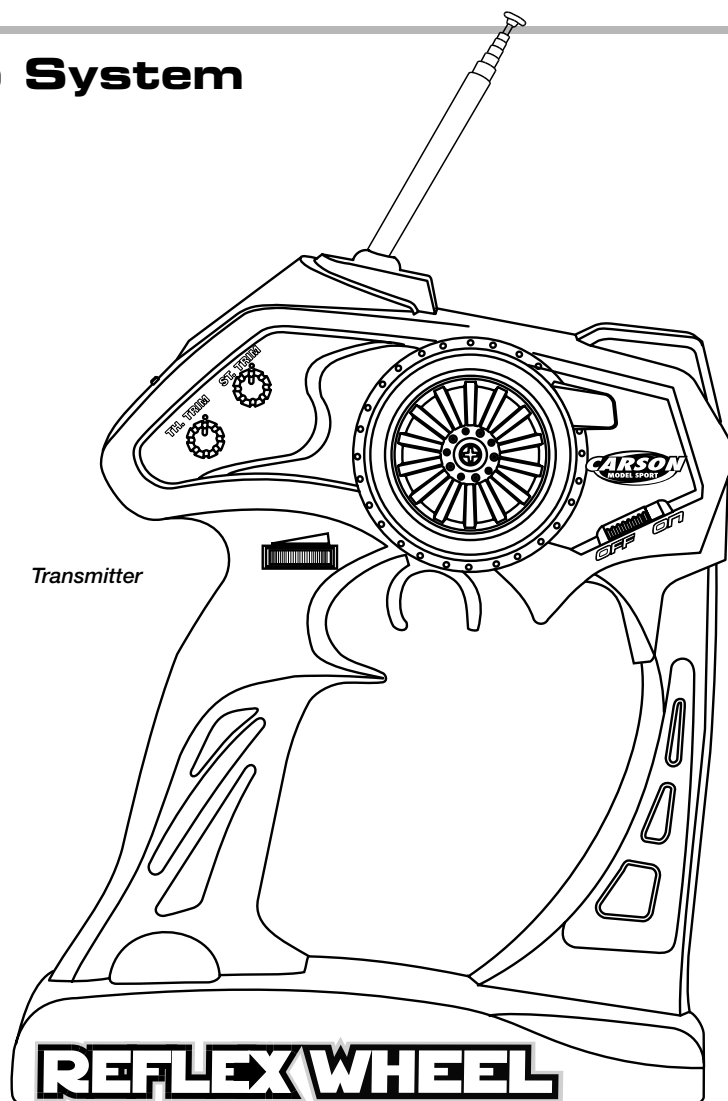
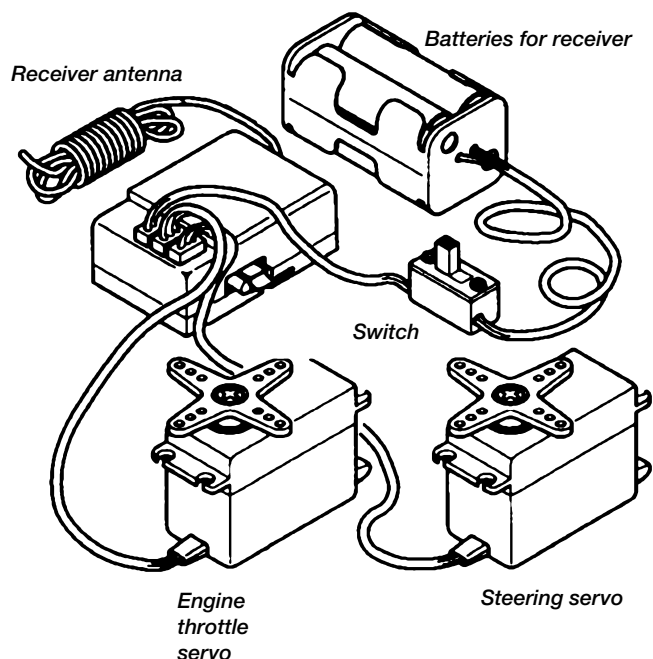


a. Your 3 Channel Radio System

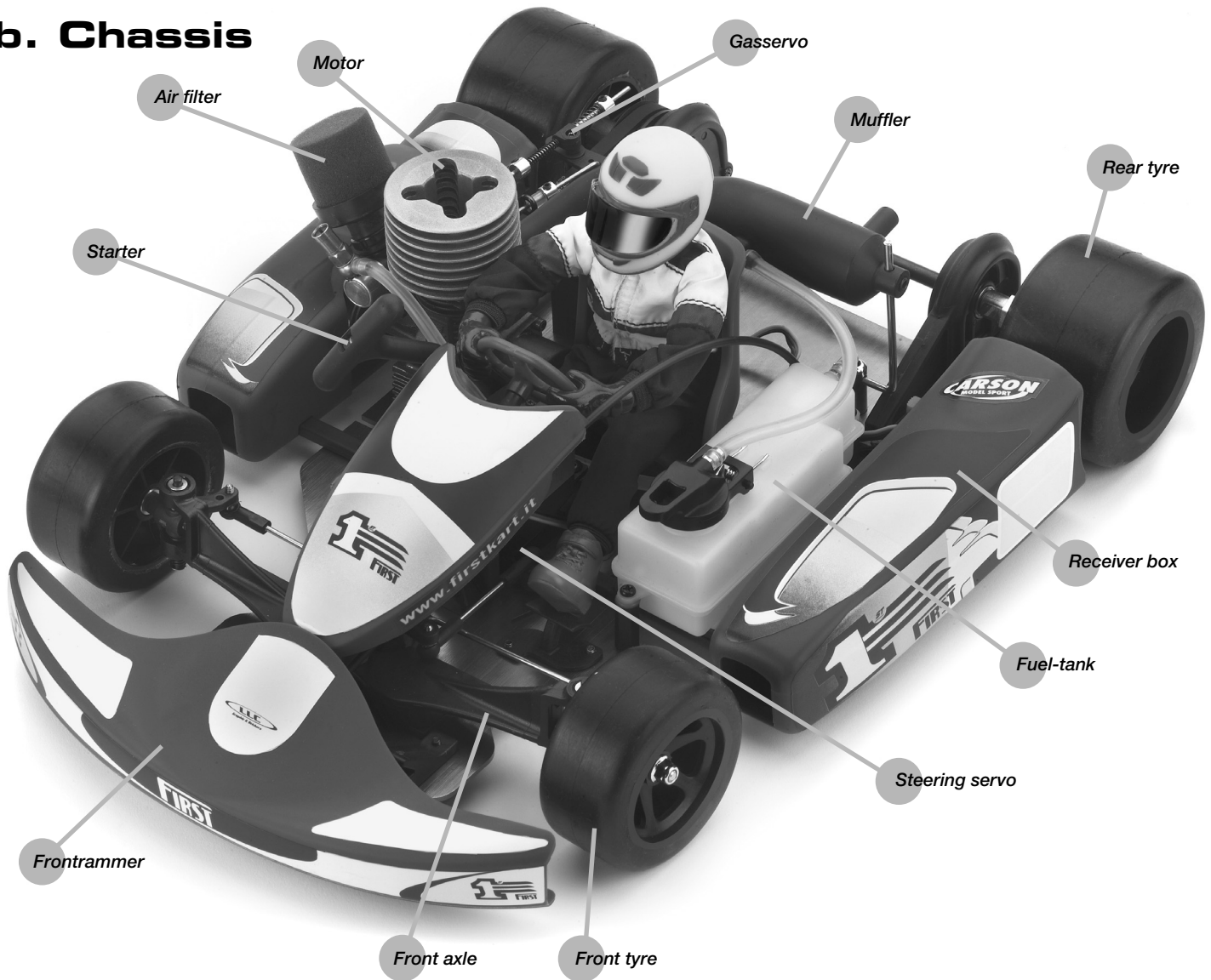
(only for RTR version)

Please read the instructions provided with your radio system before using it.

The servos must be set at the centre position before installation. To set the servos at a neutral position, turn on the transmitter and receiver. Set the trim levers in the centre position and turn off the receiver, and then the transmitter. The servos will be in proper neutral position for installation.



b. Chassis



c. Plug in Receiver Batteries

Insert 4 "AA" batteries into the receiver battery case as shown (compare picture 1). Make sure positive (+) and negative (-) ends are facing the correct direction. Then plug the pack into the switch harness, inside the radio case. Black goes to black and red goes to red. Replace the radio case cover.

Racer Tip:

Use rechargeable batteries! They last longer and are cheaper in the long run. Replace the 4 "AA" car batteries with our NiMh 6 V/ 1100 mAh battery pack (50 060 8036 JR) (50 060 8037 BEC) for longer life and economy.

Advice

- Non-rechargeable batteries are not to be recharged.
- Rechargeable batteries are to be removed from the toy before being charged.
- Rechargeable batteries are only to be charged under adult supervision.
- Batteries are to be inserted with the correct polarity.
- Exhausted batteries are to be removed from the toy.
- The supply terminals are not to be short-circuited.
- Regular examination of transformer or battery charger for any damage to their cord, plug, enclosure and other parts.

Picture 1



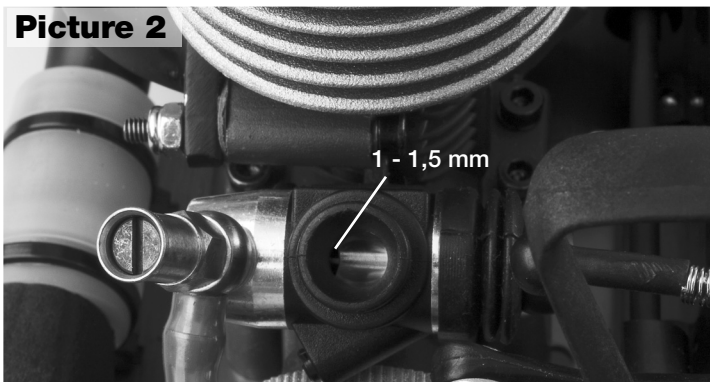
GB **d. Check 1...2...3...**

Now you can switch on your car using the on/off switch located on the radio box. Always turn the radio on before turning on your car. Note: Always check your radio settings before running your car!

Check to make sure your steering is centred. If it is not, use the ST-TRIM knob to the left of the steering wheel. Turning left should make the car turn left. Right=right.

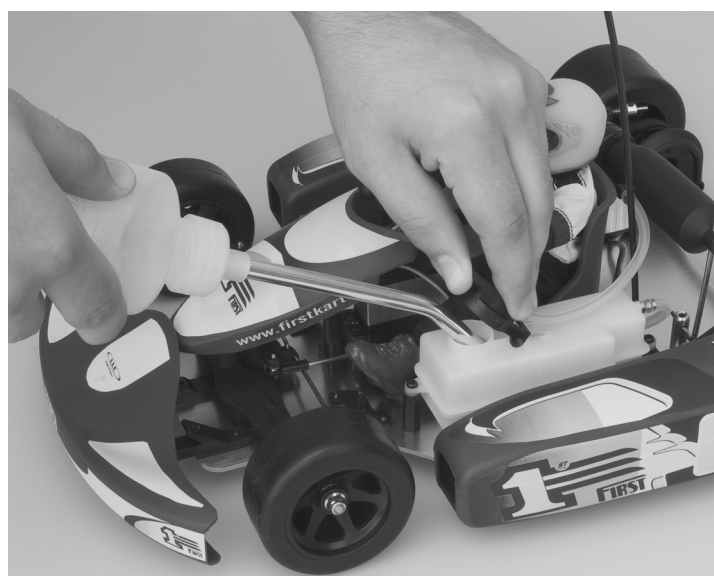
Racer Tip: Read the Radio manual for more advanced radio setup information!

Now it's time to set the throttle neutral position. Remove the air cleaner from the carburettor. The opening on the carb slide should be open very little, from 1-1.5 mm to allow the engine to idle (picture 2). If it is open more than this, the engine may rev higher than normal until brakes are applied. This condition may wear out the brakes and/or clutch shoes prematurely making the car difficult to drive. Use the TH-TRIM tab (picture 3) to move the servo arm into the neutral position if necessary. While in neutral, the brakes should not be set to "drag". Adjusting the collars with a 1.5 mm hexagonal wrench will change your drag brake settings. Replace the air cleaner when everything is adjusted to your satisfaction.



e. Final Preparations...

Assemble the fuel bottle. Fill the fuel bottle by compressing it and then insert the spout into the fuel. Allow the bottle to decompress and the suction will fill the fuel bottle. Fill the tank by gently squeezing the bottle and ensure that the tank lid is firmly shut when finished.



Racer Tip 1:

Fuel will stay fresh longer if you store it in a cool, dark and dry place.

Racer Tip 2:

Never leave the glow heater on your engine for more than 10 seconds. A longer time may cause the glow plug to burn out prematurely. Use rechargeable glow heaters for longer life.

Racer Tip 3:

To start the motor, use a fireproof glove!

f. Showtime... almost!

Engine break-in is the most important step to assuring that your engine is fast and reliable throughout its life. Put simply: **DON'T SKIP THIS PART!**

The engine is pre-set from the factory for break-in. Use a "FAT BONE" 50 090 5034 or platform and place the car so that the wheels are off the ground and rotate freely. Make sure the throttle is set at neutral with your radio. Place the glow heater onto the glow plug and give the recoil a sharp pull (picture 4). Do not pull it more than twelve inches! More than that may break the cord and this is not covered under warranty. It is better to give the recoil short sharp pulls rather than long ones. If the pull-start cord gets stuck, rotate the flywheel a little bit with your finger. This should make the cord automatically recoil. Within a few pulls, the engine will start with a good puff of smoke.

Picture 4



If the engine has trouble idling at the rich setting, turn the idle screw clockwise 1/8th of a turn at a time. This will increase the idle allowing the car to break-in properly. Try to do this in a well-ventilated area, such as your driveway. Unburnt oil from the fuel will accumulate under the exhaust, so be prepared. Let the car idle like this for 2 - 3 tanks of fuel checking the engine temperature every 2 minutes. Please allow a break of 10 - 15 minutes in between filling the tank to allow the engine to cool down. You should be able to touch the head of the engine with your fingertips and it will be hot, but not uncomfortably so. If it seems very hot, richen (turn counter-clockwise) the high-end AND low-end needles 1/8th of a turn. Always use small increments when making these kinds of adjustments.

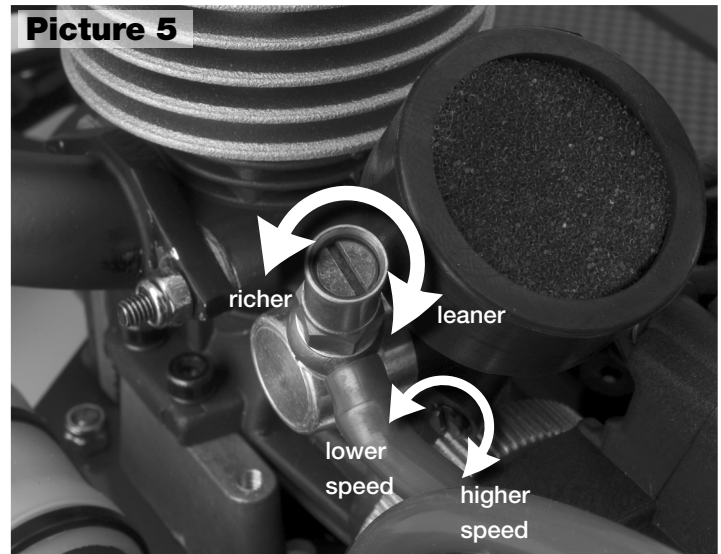
Racer Tip:

Factory setting of carburettor:

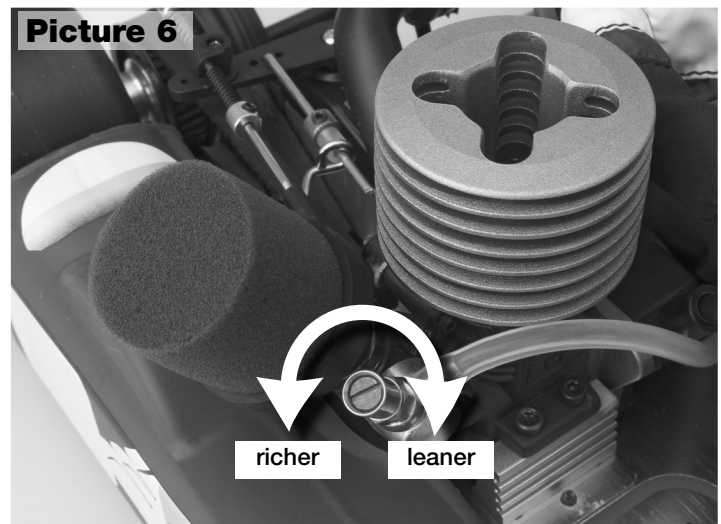
With the following basic adjustment the engine starts immediately, running perfect and rich enough (outside temperature 8°C).

- Idle stop screw: approx. 1 mm air gap;
- High speed needle valve: screw in completely, then open 4 full turns;

Picture 5



Picture 6



- Low speed needle valve (linking): flush with the edge of the linking arm, then 1 full turn clockwise;

After run-in is finished the high speed needle valve should be open at least 3 and 1/4 turns. A richer setup is better if outside temperature is high.

Racer Tip:

Drive your car slowly with the rich setting shortly after the break-in period avoiding prolonged periods at full throttle. Gradually lean out the mixture 1/8 of a turn at a time. The idle will increase the more you lean the engine out.

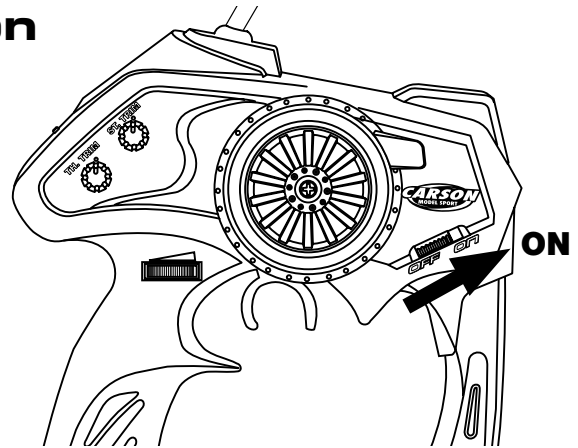
g. Turn the Power Switch on

Pull the transmitter antenna out completely.

The range of the remote control is reduced if the antenna is not pulled out completely.

CAUTION!

Always turn the transmitter's power switch ON first!



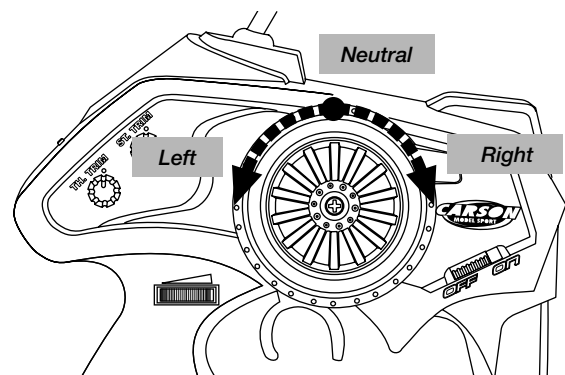
Switch on the receiver

- Power switch is on the radio box.
- Fix the receiver antenna and wire (see page 75).
- Put the body on and fix it with the body split pins.



h. How to Control your Model

- Raise the tyres off the ground.
- Turn the steering wheel to the right and left as far as it will go. The wheels are to follow the steering direction.
- If the wheels operate in the opposite direction, operate the servo Reverse switch (ST in position REV).
- To regulate the driving speed, actuate the throttle/brake
 - backwards (forward driving, accelerating) or
 - forwards (braking, reversing).



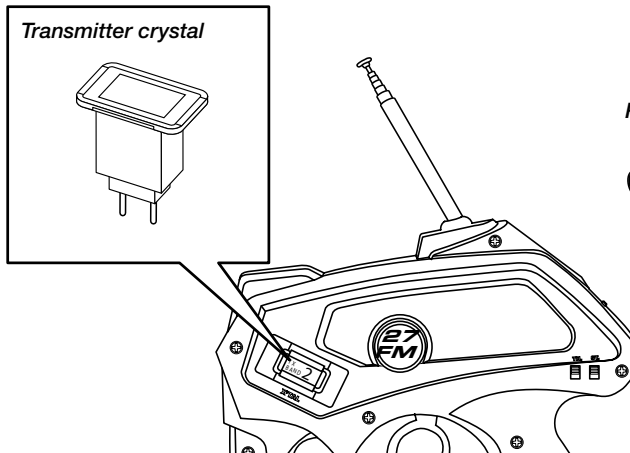
i. How to Change Frequencies

Transmitter

A rapid change of frequencies is possible simply by unplugging an interchangeable plug in crystal on the back of the transmitter and then plugging in another one of a different frequency.

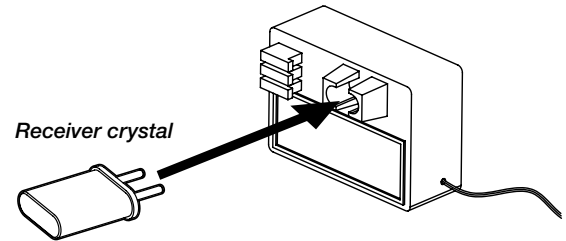
Crystals for both the transmitter and receiver must be matched with each other.

Make sure that the crystal is fully inserted in the transmitter and receiver, not partially.



Receiver

Plug in an interchangeable crystal into the receiver for a rapid change of frequencies.



j. Care and Maintenance

Failure to follow break-in procedure and/or damage caused by improper tuning will void your engine warranty.

There are two ways to “temp” your engine. We recommend buying our “Temp Check” infrared thermometer, item number 50 090 8072. One, purchase a temperature gauge. The second cheaper, but less accurate method is the “Spit Test”. Wipe a little bit of saliva on the engine head and it should burn off in 3 - 4 seconds. If it evaporates immediately, chances are the engine is running too hot.

The engine will run best and be easier to restart if run around 100 - 125 °C. Depending on your weather conditions, air density, and humidity, your carburettor settings will be changing wherever you decide to run. Making adjustments in small increments is the best way to make sure your engine lasts a long time. Overheating is caused by running the engine too lean, or too much stress on the engine created by the environment. Extreme overheating will result in internal failure of engine parts. There are many online resources that will help you with engine tuning. Our 3,5 ccm engines are designed to last a long time, and with proper maintenance and tuning, you can drive the model for hours at a time.

After Use

When you have finished running your car, there are two options to shut the engine down. The first method is to place your thumb over the exhaust outlet (Wear gloves). Make sure your engine is preferably normal idle, with the brake activated. The second method is to pinch off the air supply from the engine. Do not pinch the fuel line, as this may cause the engine to over-heat! Try and let all the remaining fuel run through the engine, emptying the fuel tank. The engine will idle high while the tank is emptied, so the above two steps may not be necessary.

Then apply after-run oil through the carburettor, and pull the pull-start a few times to get it through the engine. This is recommended if you plan on storing the car for more than a day. Methanol evaporates in water and can cause internal

Picture 7



corrosion to engine parts. It is always a good idea to check all the screws, nuts, and bolts before and after each period of racing.

Keeping the car clean will also make it more fun to work on. This can be achieved with a large heavy-duty paintbrush, or compressed air. Always test the transmitter and receiver batteries before starting the engine.

Picture 8



Racer Tip:

Wear gloves when working on your hot car!

k. Troubleshooting

Please read this in the event of a problem.

Engine won't start.

Engine flooded. Too much fuel in engine	Remove glow plug. Pull pull-start 6-8 times. Beware of spraying fuel.
Dead glow plug heater	Remove glow plug. Place glow plug in heater. If the glow plug does not glow orange the plug maybe dead. See also glow heater. (Wear gloves)
Dead Glow heater battery	Place new glow plug in heater. If it glows dim or not at all, replace heater battery.

Empty fuel tank/ No fuel in engine:	Fill fuel tank. Prime engine by pulling pull-start once while holding finger tip over muffler (Wear gloves).
Overheating:	Running at high temperatures may cause vapour lock. Let the car cool down for 10-15 minutes

Engine Stalls

Overheating	Check temperature. If over 130, richen carb mixture. Check to make sure wheels spin freely.
Disconnected fuel pressure line:	Reattach pressure line from exhaust pipe to fuel tank lid.

Dirty air cleaner:	Wash with soap and water or glowfuel then use air filter oil.
Carburettor loose:	Check carb-lock bolt and nut. Press carb onto engine block, tighten nut to prevent air leak.

Hard to control, "glitching"

Dead/Weak Batteries:	Batteries in transmitter should be fully charged. Slow servos mean dead receiver batteries.
Improper transmitter settings:	Refer to instructions on setting up your transmitter
Transmitter antenna not extended	Pull out transmitter antenna to full length.
Loss of control	R/C model using same band (frequency) is nearby

Model doesn't move	Transmitter or chassis power switch is not "ON" Polarity or battery type is wrong Batteries have run down
Doesn't run straight	Steering trim is not adjusted correctly Front and rear wheel nuts are too loose
Doesn't stop	Throttle trim is not adjusted correctly
Running too slowly	Motor has lost power Rear wheel nuts are too loose Dust or foreign objects are inside gears

Sehr geehrter Kunde

Wir beglückwünschen Sie zum Kauf Ihres CARSON RC-Modellautos, das nach dem heutigen Stand der Technik gefertigt wurde.

Da wir stets um Weiterentwicklung und Verbesserung unserer Produkte bemüht sind, behalten wir uns eine Änderung in technischer Hinsicht und in Bezug auf Ausstattung, Materialien und Design jederzeit und ohne Ankündigung vor.

Aus geringfügigen Abweichungen des Ihnen vorliegenden Produktes gegenüber Daten und Abbildungen dieser Anleitung können daher keinerlei Ansprüche abgeleitet werden.

Diese Bedienungs- und Montageanleitung ist Bestandteil des Produkts. Bei Nichtbeachtung der Bedienungsanleitung und der enthaltenen Sicherheitsanweisungen erlischt der Garantieanspruch. Bewahren Sie diese Anleitung zum Nachlesen und für die eventuelle Weitergabe des Modells an Dritte auf.

D

Garantiebedingungen

Für dieses Produkt leistet CARSON eine Garantie von 24 Monaten betreffend Fehler bei der Herstellung in Bezug auf Material und Fertigung bei normalem Gebrauch ab dem Kauf beim autorisierten Fachhändler. Im Falle eines Defekts während der Garantiezeit bringen Sie das Modell zusammen mit dem Kaufbeleg zu Ihrem Fachhändler.

CARSON wird nach eigener Entscheidung, falls nicht anders im Gesetz vorgesehen:

- Den Defekt durch Reparatur kostenlos in Bezug auf Material und Arbeit beheben;
- Das Produkt durch ein gleichartiges oder im Aufbau ähnliches ersetzen; oder
- Den Kaufpreis erstatten.

Alle ersetzten Teile und Produkte, für die Ersatz geleistet wird, werden zum Eigentum von CARSON. Im Rahmen der Garantieleistungen dürfen neue oder wiederaufbereitete Teile verwendet werden.

Auf reparierte oder ersetzte Teile gilt eine Garantie für die Restlaufzeit der ursprünglichen Garantiefrist. Nach Ablauf der Garantiefrist vorgenommene Reparaturen oder gelieferte Ersatzteile werden in Rechnung gestellt.

Von der Garantie ausgeschlossen sind:

- Beschädigung oder Ausfall durch Nichtbeachten der Sicherheitsanweisungen oder der Bedienungsanleitung, höhere Gewalt, Unfall, fehlerhafte oder außergewöhnliche Beanspruchung, fehlerhafte Handhabung, eigenmächtige Veränderungen, Blitzschlag oder anderer Einfluss von Hochspannung oder Strom.
- Schäden, die durch den Verlust der Kontrolle über Ihr Fahrzeug entstehen.
- Reparaturen, die nicht durch einen autorisierten CARSON Service durchgeführt wurden
- Verschleißteile wie etwa Sicherungen und Batterien
- Rein optische Beeinträchtigungen
- Transport-, Versand- oder Versicherungskosten
- Kosten für die Entsorgung des Produkts sowie Einrichten und vom Service vorgenommene Einstell- und Wiedereinrichtungsarbeiten.

Durch diese Garantie erhalten Sie spezielle Rechte, darüber hinaus ist auch eine von Land zu Land verschiedene Geltendmachung anderer Ansprüche denkbar.

Konformitätserklärung

Hiermit erklärt CARSON Modelsport, dass sich dieses Modell einschließlich Fernsteueranlage in Übereinstimmung mit den grundlegenden Anforderungen folgender EG-Richtlinien: 98/37EG für Maschinen und 89/336/EWG über die elektromagnetische Verträglichkeit und den anderen relevanten Vorschriften der Richtlinie 1999/5/EG (R&TTE) befindet.

Die Original-Konformitätserklärung kann angefordert werden.



Bedeutung des Symbols auf dem Produkt, der Verpackung oder Gebrauchsanleitung: Elektrogeräte sind Wertstoffe und gehören am Ende der Laufzeit nicht in den Hausmüll! Helfen Sie uns bei Umweltschutz und Recourschönung und geben Sie dieses Gerät bei den entsprechenden Rücknahmestellen ab. Fragen dazu beantwortet Ihnen die für Abfallbeseitigung zuständige Organisation oder Ihr Fachhändler.

Wir wünschen Ihnen viel Spaß mit Ihrem CARSON Modellauto und jederzeit gute Fahrt!

Vor dem Gebrauch Ihres neuen Modells lesen Sie bitte dieses Handbuch sorgfältig durch!

Inhalt

Vorwort.....	13
Lieferumfang.....	14
Sicherheitsanweisungen	15
Zum Betreiben des Motors erforderliches Zubehör	16
Für den Zusammenbau erforderliches Werkzeug.....	17
a. Ihre 3-Kanal Fernsteuerung.....	17
b. Chassis.....	18
c. Einlegen der Empfängerbatterien	18
d. Funktionstest	19
e. Letzte Vorbereitungen.....	19
f. Es kann losgehen... fast!	20
g. Einschalten der RC-Anlage	21
h. Steuern des Modells.....	21
i. Wechseln der Sendefrequenz	22
j. Wartung und Pflege	22
k. Problembehandlung	23
Montageanleitung.....	59
Ersatzteile	82
2,5 cm ³ Motor	85

Lieferumfang



Sender



Fahrerpuppe ist nicht im Lieferumfang enthalten.

Diese kann optional unter der N° 50 010 5034 erworben werden.

Modell

Sicherheitsanweisungen

Sicherheitsanweisung und bestimmungsgemäße Verwendung

Ein Verbrenner-RC-Modellauto ist ein ferngesteuertes, mit speziellem Modellkraftstoff betriebenes Modellauto. Es ist ausschließlich für Hobbyzwecke ausgelegt und darf nur auf dafür vorgesehenen Bahnen und Plätzen, nicht in geschlossenen Räumen gefahren werden.

Mit einem Verbrenner-RC-Modellauto dürfen keine Güter, Personen oder Tiere transportiert werden.

Um Bedienungsfehler zu vermeiden, muss vor der Benutzung unbedingt die Gebrauchsanweisung gelesen werden!

Modellautos dürfen nur mit einer Karosserie, die ordnungsgemäß angebracht ist, betrieben werden.

Vor dem Abnehmen der Karosserie den Motor abkühlen lassen, da Kühkopf und Auspuff im Betrieb heiß werden.

Das Modell darf nicht dauerhaft in unmittelbarer Nähe von Personen betrieben werden, da unter Umständen Gehörschäden auftreten können.

Um zu vermeiden, dass das Modell mit Störungen im Steuerungssystem und dadurch unkontrolliert fährt, sind die Batterien des Senders und des Empfängers auf einwandfreien Ladezustand hin zu überprüfen.

Die korrekte Montage der Modellautos muss stets vor und nach jeder Fahrt überprüft werden, gegebenenfalls Schrauben und Muttern nachziehen.

Die Tankanlage muss vor jedem Gebrauch auf Dichtheit geprüft werden. Der Tankdeckel muss stets dicht verschlossen sein.

D

Dieses Modell ist kein Spielzeug!

- Funkferngesteuerte Modelle sind kein Spielzeug, Ihre Bedienung muss schrittweise erlernt werden.
- Kinder unter 14 Jahren sollten das Modell nur unter Aufsicht von Erwachsenen in Betrieb nehmen.

Das Fahren von ferngesteuerten Autos ist ein faszinierendes Hobby, das jedoch mit der nötigen Vorsicht und Rücksichtnahme betrieben werden muss. Ein ferngesteuertes Modellauto, das ein beachtliches Gewicht aufweist und eine sehr hohe Geschwindigkeit erreicht, kann in einem unkontrollierten Fahrzustand erhebliche Beschädigungen und Verletzungen verursachen, für die Sie als Betreiber haftbar sind.

Vergewissern Sie sich bei Ihrer Versicherung, ob Sie beim Ausüben Ihres Hobbys versichert sind. Nur ein einwandfrei zusammengebautes Modell wird erwartungsgemäß funktionieren und reagieren.

Improvisieren Sie niemals mit untauglichen Hilfsmitteln, sondern verwenden Sie im Bedarfsfall nur Originalersatzteile. Auch bei einem vormontierten Modell sollten Sie alle Verbindungen auf exakten und festen Sitz kontrollieren.

Fahren Sie niemals, ohne sich von den folgenden Punkten überzeugt zu haben:

- Empfängerakku und Senderakku müssen vollständig geladen sein.
- Überprüfen Sie vor dem Start die Funkreichweite.
- Überprüfen Sie das ordnungsgemäße Ansprechen der Servos auf die Steuersignale.
- Alle Funktionsteile des Fahrzeugs sind in einwandfreiem Zustand und überprüft.
- Sämtliche Schrauben sind auf festen Sitz überprüft.
- Es ist kein RC- oder anderer Sender in der Nähe in Betrieb, der Funkstörungen verursachen könnte. Störsignale auf gleicher Frequenz können bewirken, dass Sie die Kontrolle über Ihr Modell verlieren. Schalten Sie immer zuerst den Sender ein, um zu vermeiden, dass der Empfänger unkontrolliert auf ein fremdes Funksignal reagiert.
- Ziehen Sie die Senderantenne immer vollständig heraus. Bei gleichzeitigem Betrieb mehrerer Fahrzeuge darf das Modell nur auf einer freien Frequenz betrieben werden. Schalten Sie nach Beendigung des Fahrbetriebes zuerst den Empfänger, dann den Sender aus.
- Fahren Sie auch nicht unter Hochspannungsleitungen oder Funkmasten oder bei Gewitter!
- Atmosphärische Störungen können die Signale Ihres Fernstehers beeinflussen.
- Die Elektrik des Modells ist nicht wasserdicht. Fahren Sie deshalb nicht bei Regen, Schnee, durch Pfützen oder nasses Gras.

- Das ferngesteuerte Modell darf nur auf geeignetem Gelände und nicht auf öffentlichen Verkehrsflächen betrieben werden.
- Nicht in der Nähe von Personen und Tieren fahren!
- Fahren Sie nicht, wenn sie übermüdet oder anderweitig in Ihrer Reaktionsfähigkeit beeinträchtigt sind.
- Halten Sie immer direkten Sichtkontakt zum Modell.
- Fahren Sie das Modell nur mit ordnungsgemäß angebrachter Karosserie.
- Regelmäßige Wartung und Pflege ist für erstklassige Fahrleistung notwendig.
- Das Modell hat Teile, die sich im Betrieb erhitzen, z.B. die Oberseite des Motors, die Abgasanlage, das Metallgetriebe und vieles mehr. Die Berührung dieser Teile während des Betriebs kann zu Verletzungen führen.

Achten Sie auf Ladezustandsanzeige Ihres Senders.

- Mit halbleeren Akkus können Sie die Kontrolle über das Modell verlieren.
- Mischen Sie im Sender niemals volle Akkus/Batterien mit halbleeren oder Akkus unterschiedlicher Kapazität.
- Versuchen Sie nie, Trockenbatterien zu laden (nur Akkus sind aufladbar).

Bei längerem Nichtgebrauch ist der Empfängerakku unbedingt zu entfernen.

Bezüglich des Kraftstoffes bitte folgendes beachten:

- Unter Verschluss und für Kinder und Tiere unzugänglich aufbewahren
- Behälter dicht geschlossen halten
- Behälter an einem gut belüfteten Ort aufbewahren
- Von Zündquellen fernhalten – Nicht rauchen
- Nicht verschlucken und Berührung mit der Haut vermeiden

Kraftstoffreste und -behälter müssen als Sondermüll beseitigt werden.

Bei Unfall oder Unwohlsein sofort den Arzt hinzuziehen (wenn möglich das Etikett des Kraftstoffs vorzeigen).

Zum Schluss

Bitte lesen Sie diese Betriebsanleitung sorgfältig durch, bevor Sie irgendwelche Arbeiten beginnen.

Nach jeder Fahrt sollten Sie die wichtigsten Bauteile und Verbindungen überprüfen. Eine einzige gelockerte Schraube kann ausreichen, um Ihr Modell in eine gefährliche Situation geraten zu lassen! Warten Sie Ihr Modell regelmäßig und wechseln Sie defekte oder abgenutzte Bauteile gegen Original-Ersatzteile aus.

Wir wünschen Ihnen viel Spaß mit Ihrem CARSON-Modellauto und jederzeit gute Fahrt!

Zum Betreiben des Motors erforderliches Zubehör

Glühkerzenstecker
50 090 5042



Afterrunöl
50 090 5044



Luftfilteröl
50 003 2648



Kraftstoff-
füllflasche
50 001 3330



Kraftstoff



... oder alternativ
Glühkerzenstecker
und
Akku 50 001 1585

CARSON-Kraftstoffe werden empfohlen

Liter	Nitromethan	N°	Verwendung
1,0	10%	50 090 5052	Einlaufen/ Beginner
1,0	16%	50 090 5053	Normal
2,5	16%	50 090 5054	Normal
1,0	25%	50 090 5055	Race
2,5	25%	50 090 5056	Race

CARSON-ROSSI Glühkerzen

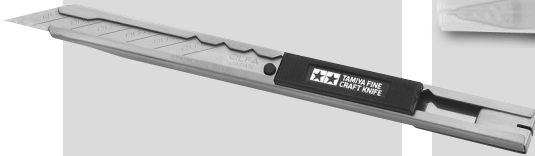
N°	Bezeichnung	Motorart	Kraftstoffart	Temperatur
50 090 5006	Glühkerze Rossi R2 heiß	2 - 3,5 ccm	ohne Nitro	+0° - +15C°
50 090 5007	Glühkerze Rossi R3 medium	3,5 - 6 ccm	ohne Nitro	-2° - +18C°
50 090 5008	Glühkerze Rossi R4 kalt	6 - 10 ccm	ohne Nitro	-5° - +20C°
50 090 5009	Glühkerze Rossi R5 extra	3,5 - 10 ccm	10% Nitro	-7° - +22°
50 090 5010	Glühkerze Rossi R6 kalt	universal	10-13% Nitro	+10° - +25°
50 090 5011	Glühkerze Rossi R7 kalt	universal	13-15% Nitro	+15° - +30°
50 090 5012	Glühkerze Rossi R8 extra kalt	universal	13-15% Nitro	+20° - +40°



Für den Sender werden 8 Stück AA Batterien/ Akkus benötigt.

Für den Zusammenbau erforderliches Werkzeug

Modellbaumesser 50 007 4053



Sekundenkleber 50 005 3339



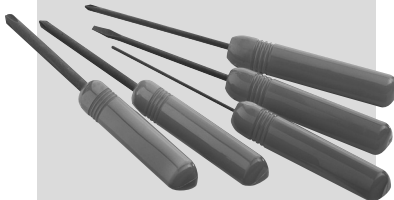
Spitzzange 50 007 4034



Schere 50 001 3305



Kreuzschlitz-Schraubendreher
(klein und groß)
und Inbusschlüssel
1,5/ 2 / 2,5 mm 50 007 4023



Kreuzschlüssel 50 001 3118



Pinzette 50 007 4003



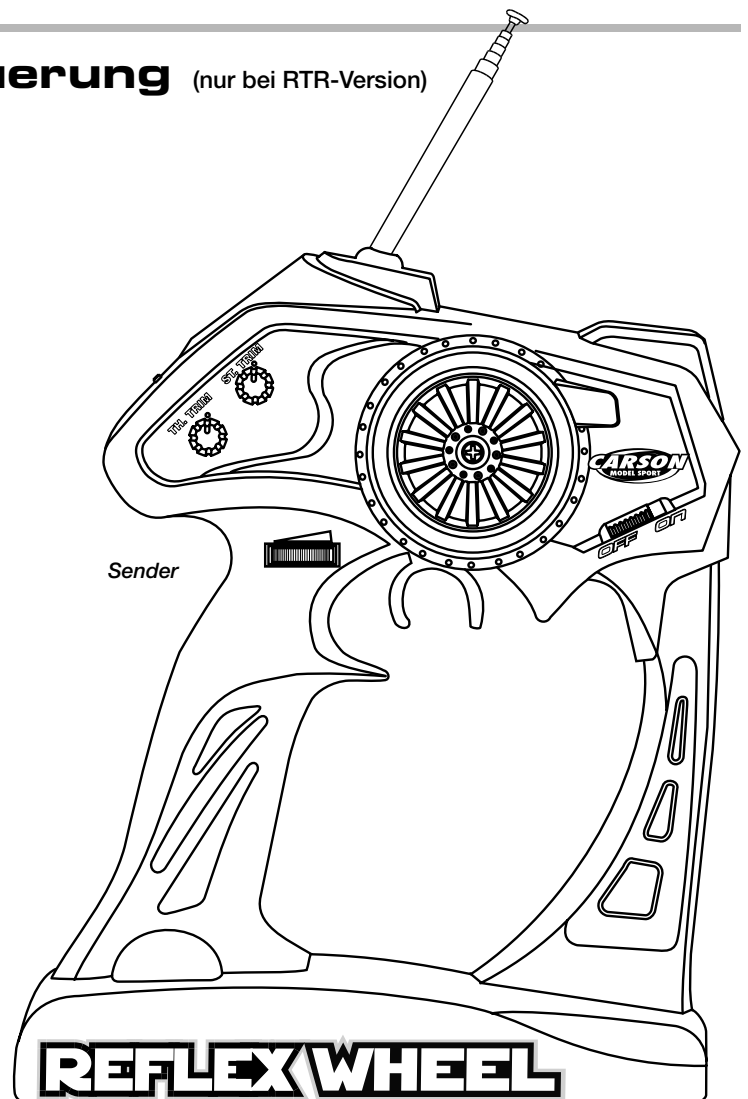
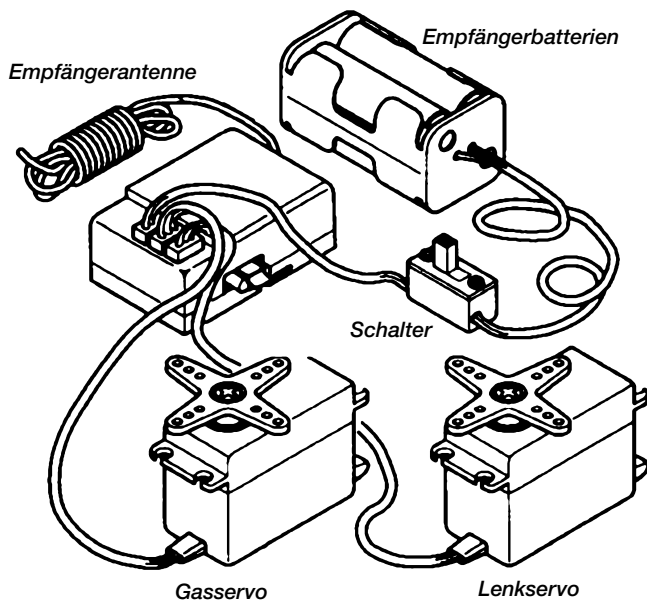
Seitenschneider 50 007 4035



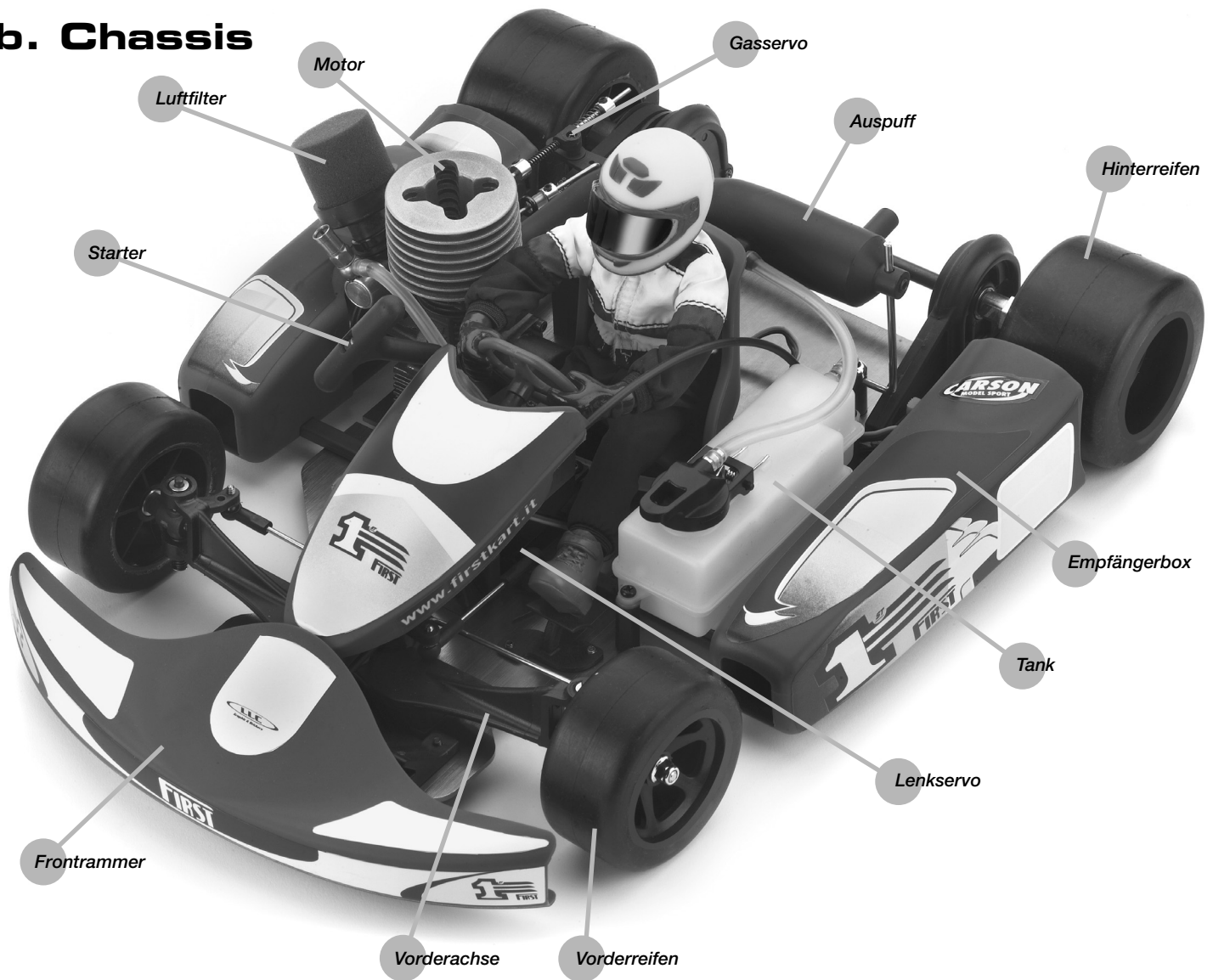
a. Ihre 3-Kanal Fernsteuerung (nur bei RTR-Version)

Bitte lesen Sie die, Ihrem RC-System beiliegende Anleitung, genau durch.

Vor dem Einbau müssen die Servos in Mittelstellung gebracht werden. Dazu schalten Sie bitte den betriebsbereiten Sender und Empfänger ein. Stellen Sie die Trimmhebel am Sender auf Mittelstellung. Jetzt schalten Sie den Empfänger und dann den Sender aus. Die Servos sind jetzt für den Einbau genau auf Neutralstellung.



b. Chassis



c. Einlegen der Empfängerbatterien

Legen Sie vier „AA“ Batterien in die Batteriehalterung des Empfängers ein (siehe Bild 1). Achten Sie auf die korrekte Polung. Verbinden Sie dann den Akku mit dem zugehörigen Stecker zum Empfänger. Schwarz muss mit schwarz und rot mit rot verbunden werden. Schließen Sie dann das Batteriefach mit der zugehörigen Abdeckung.

Insider Tipp:

Benutzen Sie wiederaufladbare Batterien. Diese halten länger und sind auf längere Sicht gesehen billiger. Ersetzen Sie die vier „AA“ Batterien durch unseren NiMH 6 V/ 1100 mAh Akku-pack (N° 50 060 8036 JR).

Hinweis

- Trocken-Batterien sind nicht wiederaufladbar.
- Wiederaufladbare Akkus müssen vor dem Aufladen aus dem Modell genommen werden.
- Laden nur unter Aufsicht eines Erwachsenen.
- Beim einlegen der Akkus/ Batterien auf die richtige Polarität achten.

Bild 1



- Leere Batterien/ Akkus immer nach Gebrauch aus dem Modell entfernen.
- Die Anschlusskabel dürfen nicht kurzgeschlossen werden.
- Bitte überprüfen Sie regelmäßig die Elektronik oder Akkus, Ladegerät, Anschlussstecker, Kabel, Gehäuse und andere Teile auf Schäden.

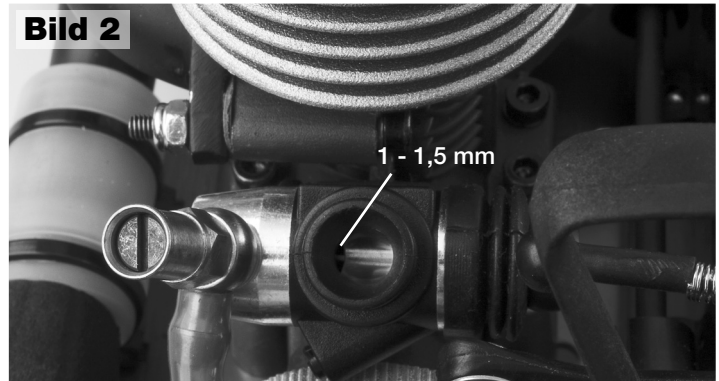
d. Funktionstest

Schalten Sie immer zuerst die Fernbedienung ein, bevor Sie Ihr Auto einschalten. Nun können Sie Ihr Auto einschalten, indem Sie den EIN/AUS-Schalter am Auto betätigen. Hinweis: Überprüfen Sie immer die Einstellung Ihrer Fernbedienung, vor der Benutzung Ihres Autos.

Überprüfen Sie bitte, ob die Lenkung zentriert ist. Sollte dies nicht der Fall sein, benutzen Sie den ST-Trimm-Knopf links neben dem Lenkrad (siehe Abbildung Seite 22). Die Drehung nach links sollte das Auto nach links fahren lassen, eine Rechtsdrehung nach rechts.

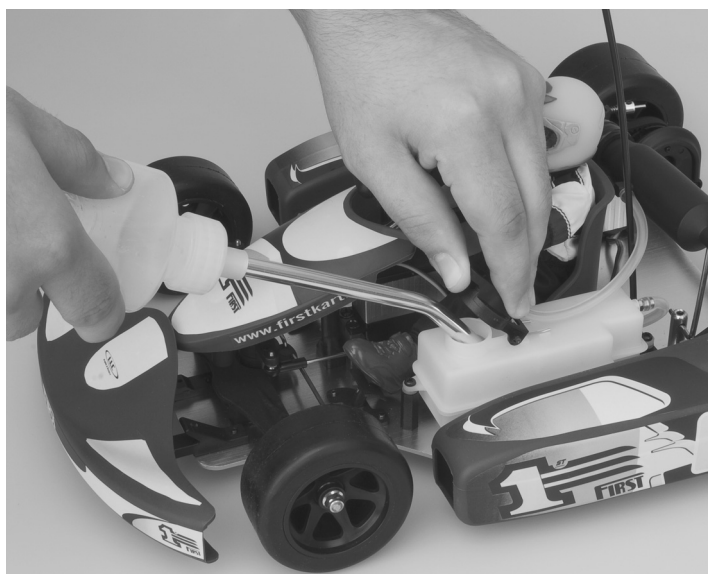
Nun muss der Vergaser in die Neutralstellung gebracht werden. Entfernen Sie den Luftfilter vom Vergaser.

Im Vergaserhals muß ein Spalt von ca. 1 - 1,5 mm zu sehen sein (siehe Bild 2). Sollte der Spalt größer sein, kann es sein, dass der Motor mit zu hoher Drehzahl läuft. Dies kann dazu führen, dass die Bremsen und/ oder die Kupplungsbeläge vorzeitig abgenutzt werden und es erschwert das Fahren des Autos. Benutzen Sie den TH-Trimm (siehe Bild 3) um den Servoarm, wenn nötig, in die neutrale Position zu bringen. In der Neutralposition sollten die Bremsen nicht schleifen. Die Einstellung erfolgt mit einem 1,5 mm - Inbusschlüssel über einen Stellring am Bremsgestänge. Wenn Sie mit den Einstellungen zufrieden sind, bringen Sie den Luftfilter wieder an.



e. Letzte Vorbereitungen...

Stecken Sie die Kraftstoff-Flasche zusammen. Drücken Sie diese zusammen und stecken Sie die Spitze in einen Kanister mit Nitro Autokraftstoff. Lassen Sie langsam mit dem Druck nach und die Flasche füllt sich von selbst. Danach, drücken Sie langsam die Flasche zusammen um den Benzintank Ihres Autos aufzufüllen.



Insider Tipp 1:

Der Kraftstoff hält sich länger, wenn Sie diesen an einem kalten, dunklen und trockenen Platz aufbewahren.

Insider Tipp 2:

Lassen Sie den Glühkerzenstecker niemals länger als 10 Sekunden am Motor angeschlossen. Wenn Sie diesen zu lange benutzen, kann dies dazu führen, dass die Glühkerze vorzeitig durchbrennt. Benutzen Sie wiederaufladbare Glühzündler für längere Lebensdauer.

Insider Tipp 3:

Zum Starten feuerfeste Handschuhe anziehen!

f. Es kann losgehen... fast!

Das Einfahren des Motors ist der wichtigste Schritt, um sicherzugehen, dass Ihr Motor immer schnell und verlässlich läuft. Einfach gesagt: LASSEN SIE DIESEN TEIL NICHT AUS!

Der Motor ist vom Hersteller schon „Voreingestellt“. Benutzen Sie „FAT BONE“ 50 090 5034 oder eine andere Plattform und stellen Sie das Auto so darauf, dass die Reifen keinen Bodenkontakt haben und sich frei bewegen können. Der Gashebel der Fernsteuerung muss in der Position „neutral“ sein. Platzieren Sie den Glühkerzenstecker auf der Glühkerze und ziehen Sie das Startseil kräftig heraus (siehe Bild 4). Es darf jedoch nicht mehr als 25 cm herausgezogen werden! Wenn Sie es weiter herausziehen, kann das Seil reißen. Es ist besser, das Startseil kurz und kräftig zu ziehen, als zu weit heraus. Sollte das Startseil hängen bleiben, rotieren Sie bitte das Schwungrad etwas mit Ihrem Finger. Das sollte das Seil automatisch wieder in die Startposition bringen. Nach einigen Zügen, sollte der Motor mit viel Rauch starten.

Bild 4



Sollte der Motor Probleme im Leerlauf haben, drehen Sie bitte die Schraube für den Leerlauf im Uhrzeigersinn immer um 1/8 Schritte weiter. Das erhöht den Leerlauf, was ein korrektes Einfahren des Motors ermöglicht. Führen Sie diesen Vorgang nur in einem gut durchlüfteten Raum durch, vorzugsweise im Freien, z.B. Ihrer Einfahrt. Nicht verbranntes Öl des Kraftstoffes kann sich am Auspuff sammeln, legen Sie etwas unter. Lassen Sie das Auto im Leerlauf über 2 bis 3 Tankfüllungen laufen und überprüfen Sie die Temperatur des Motors etwa alle zwei Minuten. Lassen Sie zwischen den Tankfüllungen 10 - 15 Min Pause zum Abkühlen. Der Motorkühlkörper sollte mit dem Finger berührt werden können und nicht zu heiß sein. (ACHTUNG! Nicht anfassen!) Sollte die Oberfläche zu heiß werden, erhöhen (drehen gegen den Uhrzeigersinn) Sie die Hauptdüsennadel um 1/8. Gehen Sie in kleinen Schritten vor, wenn Sie solche Veränderungen vornehmen.

Tipp:

Werkseinstellung vom Vergaser:

Mit folgender Grundeinstellung springt der Motor sofort an und läuft sauber und ausreichend fett.

- Leerlaufschraube: ca. 1 mm Luftspalt;
- Hauptdüsennadel: ganz schließen, dann 4 Umdrehungen öffnen;

Bild 5

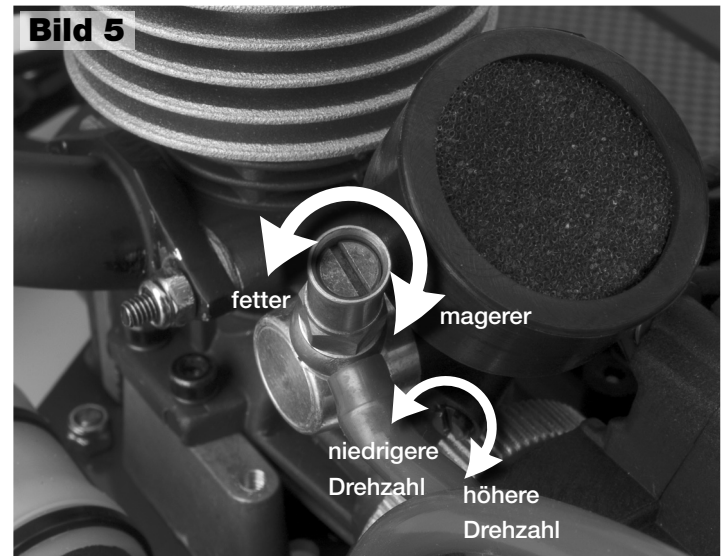
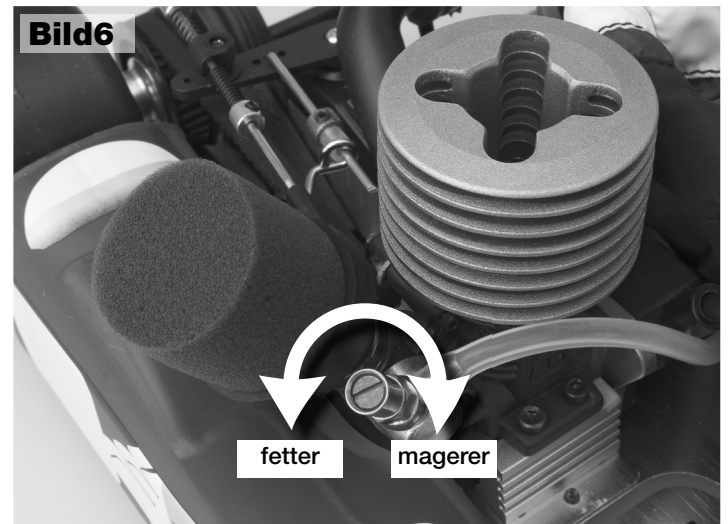


Bild 6



- Gemisch-Schraube (Anlenkung): mit dem Rand des Lenkhebels bündig, dann 1 Umdrehung schließen.

Sobald der Einfahrprozess abgeschlossen ist, muss die Hauptdüsennadel mindestens 3 1/4 Umdrehungen geöffnet sein. Bei hohen Außentemperaturen wird es nötig sein, die Einstellungen etwas fetter zu wählen.

Insider Tipp:

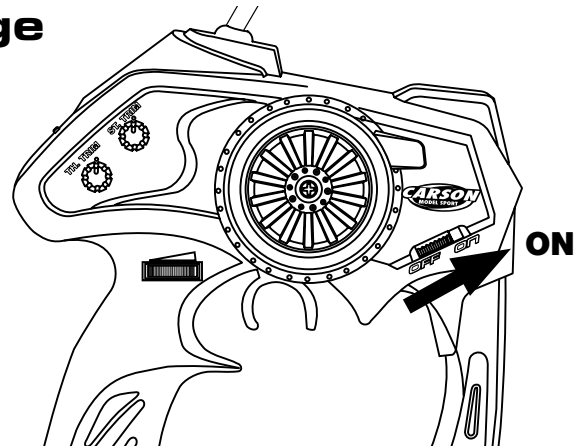
Nach der Einlauf-Periode können Sie Ihr Auto bei fetter Vergaser-Einstellung langsam fahren und vermeiden Sie längere Zeiten bei Vollgas. Stimmen Sie die Einstellung mit 1/8 Drehungen vorsichtig ab. Der Leerlauf erhöht sich um so mehr, je mehr Sie das Gemisch im Motor abmagern.

g. Einschalten der RC-Anlage

Ziehen Sie die Senderantenne ganz heraus.

Bei nicht vollständig herausgezogener Antenne verringert sich die Reichweite der Fernsteuerung.

ACHTUNG! Immer zuerst den Sender einschalten!



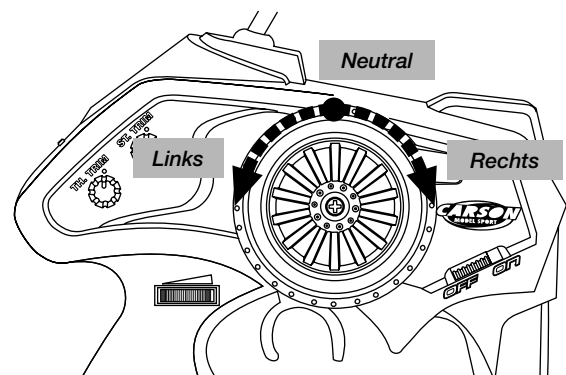
Einschalten des Empfängers

- Der Ein/Aus Schalter befindet sich auf der Empfängerbox.
- Befestigen Sie das Antennenröhrchen, durch das das Antennenkabel geführt wird (siehe Seite 75).
- Setzen Sie die Karosserie auf und sichern diese mit den Karosseriesplinten.



h. Steuern des Modells

- Stellen Sie das Modell so ab, dass die Räder frei in der Luft hängen.
- Drehen Sie das Steuerrad bis zum Anschlag nach rechts und links. Die Räder sollen dem Lenkausschlag folgen.
- Schlagen die Räder entgegengesetzt ein, betätigen sie den Servo-Reverse Schalter (ST in Position REV).
- Zum Regeln der Fahrgeschwindigkeit betätigen Sie den Gas/Bremshebel
 - nach hinten (Vorwärtsfahrt, Gas geben) bzw.
 - nach vorne (Bremsen, Rückwärtsfahrt).



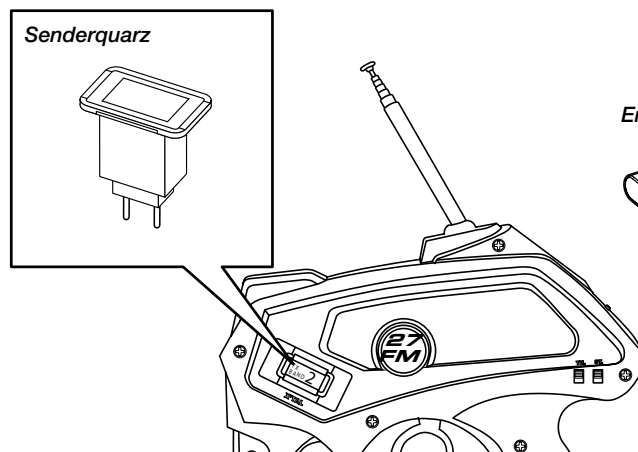
i. Wechseln der Sendefrequenz

Sender

Ein schneller Wechsel der Sendefrequenz ist möglich durch Austauschen des Steckquarzes auf der Senderrückseite.

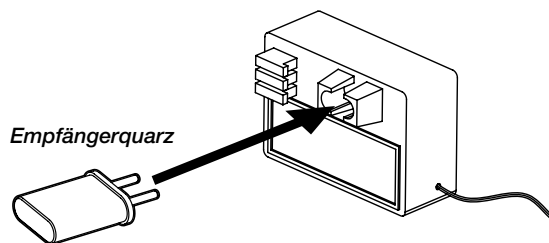
Sender- und Empfängerquarz müssen exakt aufeinander abgestimmt sein.

Stellen Sie sicher, dass der Quarz vollständig eingesteckt ist und fest sitzt.



Empfänger

Stecken Sie einen Empfängerquarz in den Empfänger.



j. Wartung und Pflege

Schäden, die daraus resultieren, dass der Motor nicht eingefahren wurde und/oder die durch falsche Einstellung entstehen, fallen nicht unter die Gewährleistungsgarantie.

Es gibt zwei verschiedene Möglichkeiten die Temperatur Ihres Motors zu überprüfen. Wir empfehlen den Kauf unseres Infrarot-Thermometers „Temp-Check“ mit der N° 50 090 8072. Sie können sich eine Temperaturanzeige kaufen. Die zweite billigere Methode, jedoch weniger genau, ist der „Spucketest“. Reiben Sie etwas Spucke auf die Oberseite des Kühlkörpers und sie wird innerhalb von 3 – 4 Sekunden verschwinden (der Siedepunkt von Wasser ist normalerweise 100°C). Sollte die Spucke sofort verschwinden, ist die Wahrscheinlichkeit sehr groß, dass der Motor zu heiß gelaufen ist.

Der Motor bringt beste Leistung und kann einfacher wieder neu gestartet werden bei einer Betriebstemperatur von 100°C bis 125°C. Abhängig vom Wetter, Luftdichte und Luftfeuchtigkeit, muss die Einstellung des Vergasers vor jedem Gebrauch des Fahrzeuges verändert werden. Vorsichtiges Einstellen garantiert eine lange Lebensdauer Ihres Motors. Überhitzung erfolgt, wenn das Gemisch im Motor zu mager ist, oder wenn die Einstellung des Vergasers nicht der Wetterlage angepasst ist. Durch starke Überhitzung kann es zu Motorschäden kommen. Es gibt viele Tipps und Infos Online, die Ihnen helfen, Ihren Motor einzustellen. Unsere Motoren haben eine sehr lange Lebensdauer und bei richtiger Wartung und Tuning können Sie das Modell stundenlang ohne Unterbrechung fahren.

Ausschalten

Nach Beendigung des Fahrens, gibt es zwei Möglichkeiten den Motor auszuschalten. Die erste Möglichkeit ist, ein Tuch dicht auf das Auspuffrohr zu drücken. Der Motor muss im Leerlauf sein, vorzugsweise sollten die Bremsen betätigt sein.

Die zweite Möglichkeit besteht darin, den Luftzugang zum Motor abzuklemmen. Der Kraftstoffschlauch sollte nicht abgeklemmt werden, weil sich der Motor dadurch überhitzen kann.

Versuchen Sie den übrig gebliebenen Kraftstoff durch den Motor laufen zu lassen, um so den Tank vollkommen zu entleeren. Die Motordrehzahl wird sich im Leerlauf erhöhen während der Tank sich entleert, somit sind die o.g. Schritte nicht nötig.



Bild 7

Benutzen Sie dann spezielles Öl (after-run Öl) für den Vergaser, ziehen Sie das Startseil ein paar Mal, damit sich das Öl im Motor verteilt. Dieser Vorgang empfiehlt sich, wenn Sie planen, das Auto mehr als einen Tag nicht zu fahren. Methanol verdunstet und wird zu Wasser, was für die Teile im Inneren des Motors schädlich sein kann. Wir empfehlen, dass Sie vor jedem Gebrauch Ihres Autos die Festigkeit aller Schrauben, Muttern und Bolzen überprüfen.



Bild 8

Das Auto sollte regelmäßig gereinigt werden. Dazu kann eine strapazierfähige Bürste oder ein Pinsel benutzt werden. Überprüfen Sie vor dem Start immer die Batterien von Sender und Empfänger.

Insider Tipp:

Benutzen Sie Handschuhe, wenn Sie an Ihrem heißen Auto arbeiten!

k. Problembehandlung

Lesen Sie dies, schon bevor es passiert.

Der Motor springt nicht an

Motor ist abgeoffen. Zu viel Benzin ist im Motor.	Entfernen Sie die Glühkerze. Ziehen Sie das Startseil 6 – 8 mal. Vorsicht, Kraftstoff kann spritzen.
Kaputte Glühkerze	Entfernen Sie die Glühkerze. Stecken Sie die Glühkerze in den Zünder. Wenn diese schwarz ist, ist die Kerze kaputt. Sie sollte hell orange glühen.
Batterie des Glühkerzensteckers ist leer.	Legen Sie eine neue Glühkerze in den Glühkerzenstecker. Wenn diese nur sehr schwach oder überhaupt nicht glimmt, muss eine neue Batterie oder Akku eingelegt werden.

Leerer Tank/ kein Kraftstoff im Motor	Füllen Sie den Tank auf. Lassen Sie den Motor ansaugen, indem Sie das Startseil einmal ziehen und gleichzeitig mit den Fingerspitzen den Auspuff zuhalten.
Überhitzung	Wenn der Motor bei zu hohen Temperaturen läuft, kann dies dazu führen, dass ein Gaspfropfen entsteht. Lassen Sie den Motor 5 – 10 Minuten abkühlen.

D

Motor stirbt plötzlich ab

Überhitzung	Überprüfen Sie die Temperatur. Sollte diese über 130°C liegen, muss das Kraftstoffgemisch angereichert werden. Überprüfen Sie, ob die Räder sich frei bewegen können.
Die Druckleitung ist unterbrochen	Befestigen Sie die Kraftstoffleitung des Auspuffrohres wieder mit dem Benzintankdeckel.

Schmutziger Luftfilter	Waschen Sie diesen mit Seife und Wasser, dann benutzen Sie Luftfilteröl (N° 50 003 2648)
Vergaser ist locker	Überprüfen Sie Vergaserhalterungsschraube und Mutter. Drücken Sie den Vergaser auf den Motorblock, ziehen Sie die Schraube fest, um Falschluf zu vermeiden.

Kontrollverlust/Störungen

Leere/ schwache Akkus	Die Akkus im Sender sollten voll aufgeladen sein. Ist der Servo sehr langsam, bedeutet dies, dass die Batterien des Empfängers leer sind.
Falsche Einstellung des Senders	Richten Sie sich nach der Gebrauchsanweisung, wenn Sie Ihren Sender einstellen.
Die Antenne des Senders ist nicht vollkommen herausgezogen	Ziehen Sie die Senderantenne auf volle Länge heraus.
Kontrollverlust	In der Nähe wird ein anderes Modell auf der gleichen Frequenz betrieben.

Das Modell fährt nicht	Sender oder Empfänger sind nicht eingeschaltet. Polarität der Akkus oder Akkutyp sind falsch. Batterien/Akkus zu schwach.
Modell fährt nicht geradeaus	Lenkungstrim ist nicht korrekt eingestellt. Radmuttern sind lose.
Modell bleibt nicht stehen	Trimmung für den Gas/Bremshebel ist nicht korrekt eingestellt
Modell fährt zu langsam	Motor hat an Leistung verloren. Die hinteren Radmuttern sind lose. Staub/Fremdkörper ist in das Getriebe gelangt.

Cher client

Toutes nos félicitations pour l'acquisition de votre voiture en modèle réduit CARSON RC, un modèle dernier cri.

En vertu de notre engagement pour un développement et une amélioration continus de nos produits, nous nous réservons le droit d'effectuer des modifications dans les spécifications de nos équipements, nos matériaux et de notre conception à tout moment et sans avertissement préalable.

Les spécifications ou les versions du produit acheté peuvent différer de celles affichées dans le manuel ou sur l'emballage.

Le présent manuel fait partie du produit. Tout non-respect des instructions et des consignes de sécurité qui y sont incluses dispense le fabricant de toute garantie. Conserver le présent manuel comme document de référence, et également pour pouvoir le transmettre par la suite à un tiers avec la voiture.

Conditions de garantie

F CARSON vous garantit pour 24 mois à partir de la date d'achat (pièces justificatives à l'appui) que la voiture est exempte de tout défaut. L'utilisation inappropriée, l'usure des éléments au cours de l'utilisation, les transformations de votre propre chef, l'application ou l'utilisation incorrecte, l'endommagement des batteries ou d'autres équipements au cours de l'utilisation ou l'emploi abusif ou l'endommagement causé par le transport, n'est pas couvert par la responsabilité civile. En cas de défaut survenant durant la période de garantie, rappelez la maquette avec le justificatif d'achat à votre distributeur.

CARSON décide alors, sauf dispositions autres prévues par la législation :

- De remédier gratuitement au défaut de matériel et de fabrication en réparant le produit ;
- De remplacer le produit par un produit identique ou similaire ; ou
- De rembourser le prix de vente.

Notre garantie se limite à la réparation ou à l'échange des appareils dans l'état original et à la hauteur du prix d'achat. L'utilisateur de la voiture assume tous les risques en rapport avec l'utilisation de la voiture.

Les pièces réparées ou remplacées ne sont sous garantie que pour la durée restante de la période de garantie initiale. Après expiration de la période de garantie, les réparations effectuées ou les pièces détachées fournies sont facturées.

La garantie ne couvre pas :

- Tout dommage ou défaillance causé par force majeure, abus, accident, utilisation abusive, erronée ou anormale, non respect des instructions, mauvaise mise en route ou maintenance insuffisante, altération, éclair ou tout autre conséquence d'une surtension ou d'un courant excessif ;
- Tout dommage provoqué par la perte de contrôle de la voiture ;
- Toute réparation autre que celles réalisées par un organisme agréé par CARSON ;
- Les consommables tels que les fusibles et les batteries ;
- Des dommages esthétiques ;
- Le transport, l'expédition et les frais d'assurance ; et
- Les frais de retour, d'installation, de mise au point et de remise en route du produit

Cette garantie vous attribue des droits spécifiques, vous pouvez par ailleurs également prétendre à d'autres droits en fonction du pays d'achat.

Déclaration de conformité

Dickie-Tamiya GmbH & Co. KG déclare par la présente que ce kit de modélisme, avec émetteur, moteur, batterie et chargeur respecte les exigences de base des directives européennes suivantes : 98/37 EG et 89/336/EWG ainsi que les autres réglementations de la directive 1999/5/EG (R&TTE).

La déclaration de conformité originale peut être demandée à l'adresse suivante :
Dickie-Tamiya GmbH & Co. KG • Werkstraße 1 • D-90765 Fürth
• ALLEMAGNE



Signification du symbole se trouvant sur le produit, l'emballage et le mode d'emploi :

Les appareils électroniques sont des produits de valeur et ne doivent pas être éliminés avec les autres déchets ménagers une fois parvenus à la fin de leur cycle de vie. Aidez-nous à préserver l'environnement et à respecter nos ressources en remettant cet appareil aux points de recyclage concernés.

Nous vous souhaitons beaucoup de plaisir avec la conduite de votre modèle réduit CARSON.

Lire attentivement ces instructions avant d'utiliser ce nouveau modèle réduit.

Contenu

Préface.....	24
Périmètre de livraison	25
Consignes de sécurité	26
Articles nécessaires au démarrage du moteur	28
Outils nécessaires au montage de la voiture	29
a. Votre ensemble de radiocommande à 3 canaux	29
b. Châssis	30
c. Alimentation	30
d. Commandes	31
e. Ultimes préparations	31
f. Mise en route	32
g. Allumer l'émetteur.....	33
h. Conduite de la voiture	33
i. Changer les fréquences.....	34
j. Entretien et maintenance.....	34
k. Pannes.....	35
Assemblage	59
Pièces détachées	82
2,5 cm ³ Moteur	85

F

Périmètre de livraison



Emetteur



La figurine du conducteur n'est pas fournie.

Elle peut être achetée en option sous la référence N° 50 010 5034.

Modèle

Consignes de sécurité

Guide des précautions d'utilisation

Ce modèle radiocommandé doit uniquement être utilisé avec le carburant préconisé. Toujours utiliser les modèles radiocommandés dans des lieux sécurisés. Ne pas utiliser sur les voies de circulation, près du public ou d'animaux. Ne pas utiliser en intérieur.

Une maquette de voiture RC à moteur à combustion interne ne doit pas servir à transporter des marchandises, des personnes ou des animaux.

Lire attentivement les consignes de sécurité et d'utilisation avant de piloter la voiture!

La carrosserie doit être correctement fixée sur la voiture avant le démarrage.

F

Attendre que le moteur et l'échappement soient refroidis avant de retirer la carrosserie. Ces parties deviennent très chaudes pendant l'utilisation et peuvent causer des brûlures graves.

La maquette ne doit pas être utilisée de manière prolongée à proximité immédiate de personnes, car cela peut entraîner des lésions auditives dans certains cas.

Pour éviter les perturbations du système de commande, ce qui se traduirait par une marche incontrôlée de la maquette, il convient de vérifier que les piles de l'émetteur et du récepteur sont parfaitement chargées.

Toujours vérifier que les écrous et les vis sont correctement serrés et que toutes les pièces sont fixées. Revisser et ajuster si nécessaire.

Remplir le réservoir de carburant et refermer soigneusement le bouchon. Essuyer le carburant renversé.

Ce modèle n'est pas un jouet

- Un modèle télécommandé n'est pas un jouet, sa manipulation doit être apprise progressivement.
- Les enfants de moins de 14 ans ne doivent pas conduire la voiture sans être accompagnés d'un adulte.

La conduite d'une voiture radiocommandée est une activité passionnante. Elle doit toutefois être exercée avec la prudence et l'attention nécessaires. Une voiture télécommandée d'un certain poids peut, lorsqu'elle atteint une grande vitesse, provoquer des dégradations et des blessures graves en cas de perte de contrôle du véhicule et c'est vous qui seriez responsable en tant qu'utilisateur.

Assurez-vous de disposer d'une couverture d'assurance suffisante pour pratiquer cette activité. Seul un modèle bien entretenu fonctionnera de manière correcte.

N'utiliser que des pièces détachées homologuées et ne jamais improviser de réparations avec des éléments inadaptés. L'utilisateur est responsable du bon fonctionnement de la voiture et du bon serrage de tous les écrous, boulons et vis.

Ne jamais démarrer sans avoir vérifié les points suivants :

- Les batteries de l'émetteur et du récepteur sont correctement chargées et sont à la bonne tension.
 - Toujours vérifier la portée de la radiocommande avant de démarrer la voiture.
 - Vérifier que les servos répondent correctement aux signaux de l'émetteur.
 - Toutes les pièces mobiles doivent être en bon état et fonctionner correctement.
 - Vérifier que toutes les vis sont serrées.
 - Vérifier qu'il n'y a pas d'émetteur RC ou similaire à proximité qui pourrait provoquer des interférences. Tout signal radio de la même fréquence peut entraîner une perte du contrôle de la voiture. Toujours allumer l'émetteur en premier pour éviter toute réaction incontrôlée du récepteur par rapport à un signal radio extérieur.
 - Sortir complètement l'antenne et s'assurer qu'aux alentours, personne ne commande un modèle réduit avec la même fréquence (valeur sur le quartz) et qu'il n'y a pas d'interférence visible. A la fin de l'utilisation, couper tout d'abord le récepteur, puis l'émetteur.
 - Maintenir la voiture éloignée des câbles haute tension ou des antennes radio.
 - Ne jamais utiliser la voiture par temps d'orage!
 - Les perturbations atmosphériques peuvent affecter les signaux de l'émetteur.
 - Ne pas utiliser la voiture dans les zones humides. Les raccords électriques de la voiture ne sont pas étanches. Pour cette raison, ne pas conduire sous la pluie, la neige ou à travers des flaques d'eau ou de l'herbe mouillée.
 - Toujours éviter de conduire les modèles radiocommandés dans des lieux fermés, confinés ou densément peuplés.
 - Maintenir éloigné des routes, autoroutes, des gens et des animaux!
 - Ne pas conduire en cas de fatigue importante ou dans le cas d'une réactivité altérée de quelque autre manière.
 - Toujours conserver la voiture dans le champ visuel, ne pas se laisser distraire.
 - La carrosserie doit être correctement attachée au véhicule avant le démarrage.
 - Une maintenance et un entretien réguliers sont nécessaires pour des performances optimales.
 - Laisser les composants moteur refroidir avant de retirer la carrosserie. Certaines pièces (p.ex. le moteur et le silencieux) peuvent devenir extrêmement chaudes lors d'une utilisation prolongée et peuvent entraîner des blessures graves.
- Bien tenir compte des indications de charge de l'émetteur.
- S'assurer que les batteries de l'émetteur et du récepteur sont correctement chargées et à la bonne tension. Des batteries déchargées peuvent entraîner une perte de contrôle de la voiture.
 - Ne jamais utiliser simultanément des piles pleines et des piles partiellement déchargées, ou des batteries de capacités différentes.
 - Ne jamais tenter de recharger des piles.
- En cas d'immobilisation prolongée de la voiture, retirer les batteries.

F

Lire attentivement les conseils suivants concernant le carburant :

- Stocker le carburant dans un endroit sécurisé et hors de portée des enfants et animaux.
- S'assurer que le bidon est correctement fermé.
- Stocker dans un lieu bien ventilé et à l'abri de l'humidité.
- Le carburant est extrêmement inflammable. Le tenir éloigné de toute source de chaleur, de flammes nues, d'équipements électriques et de batteries. Ne pas fumer à proximité.
- Eviter tout contact avec la peau et ne pas inhaler. Lire les consignes de sécurité sur le bidon.
- Eliminer les bidons vides dans un lieu approprié. Ne jamais jeter les bidons vides dans le feu.

En cas d'accident ou de malaise, contacter immédiatement un médecin (si possible, présenter l'étiquette du carburant).

Derniers conseils :

Lire attentivement le présent mode d'emploi avant toute utilisation.

Après chaque utilisation, les parties importantes et les connecteurs de la voiture doivent être inspectés. Une pièce défectueuse peut provoquer à elle seule un accident. Vérifier régulièrement la voiture et remplacer si nécessaire les pièces défectueuses avec des pièces de rechange d'origine.

Nous vous souhaitons beaucoup de plaisir avec votre modèle réduit CARSON !

Articles nécessaires au démarrage du moteur

Pince à bougie
50 090 5044



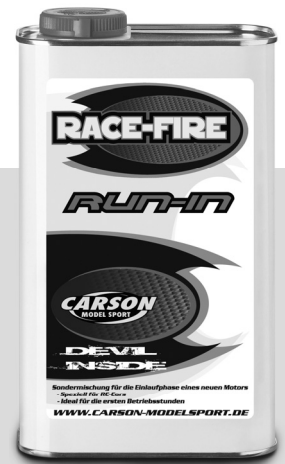
Huile de protection
50 090 5044



Huile de filtre à air
50 003 2648



Pipette à essence
50 001 3330



Essence

F



... ou pince à bougie avec batterie
50 001 1585

Essence CARSON recommandée

Litre	Nitromethan	N°	Application
1,0	10%	50 090 5052	rodage/ débutants
1,0	16%	50 090 5053	Normal
2,5	16%	50 090 5054	Normal
1,0	25%	50 090 5055	Race
2,5	25%	50 090 5056	Race

CARSON-ROSSI pince à bougies

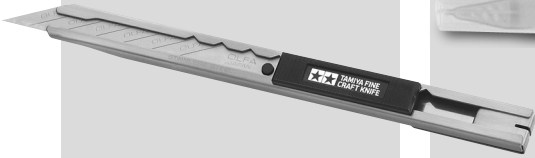
N°	Article	Moteur	Carburant	Température
50 090 5006	Bougie Rossi R2 chaude	2 - 3,5 cm ³	sans nitrométhane	+0° - +15C°
50 090 5007	Bougie Rossi R3 moyenne	3,5 - 6 cm ³	sans nitrométhane	-2° - +18C°
50 090 5008	Bougie Rossi R4 froide	6 - 10 cm ³	sans nitrométhane	-5° - +20C°
50 090 5009	Bougie Rossi R5 extra	3,5 - 10 cm ³	10% nitrométhane	-7° - +22°
50 090 5010	Bougie Rossi R6 froide	universel	10-13% nitrométhane	+10° - +25°
50 090 5011	Bougie Rossi R7 froide	universel	13-15% nitrométhane	+15° - +30°
50 090 5012	Bougie Rossi R8 extra froide	universel	13-15% nitrométhane	+20° - +40°

L'émetteur utilise 8 piles ou batteries AA.



Outils nécessaires au montage de la voiture

Couteau de bricolage
50 007 4053



Colle à prise rapide
50 005 3339



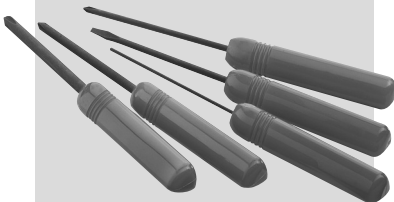
Pincettes pointues 50 007 4034



Ciseaux 50 001 3305



Tournevis (petit et grand)
et clé à six pas
1,5/ 2 / 2,5 mm 50 007 4023



Clé hexagonale (Allen)
50 001 3118



Pincette 50 007 4003



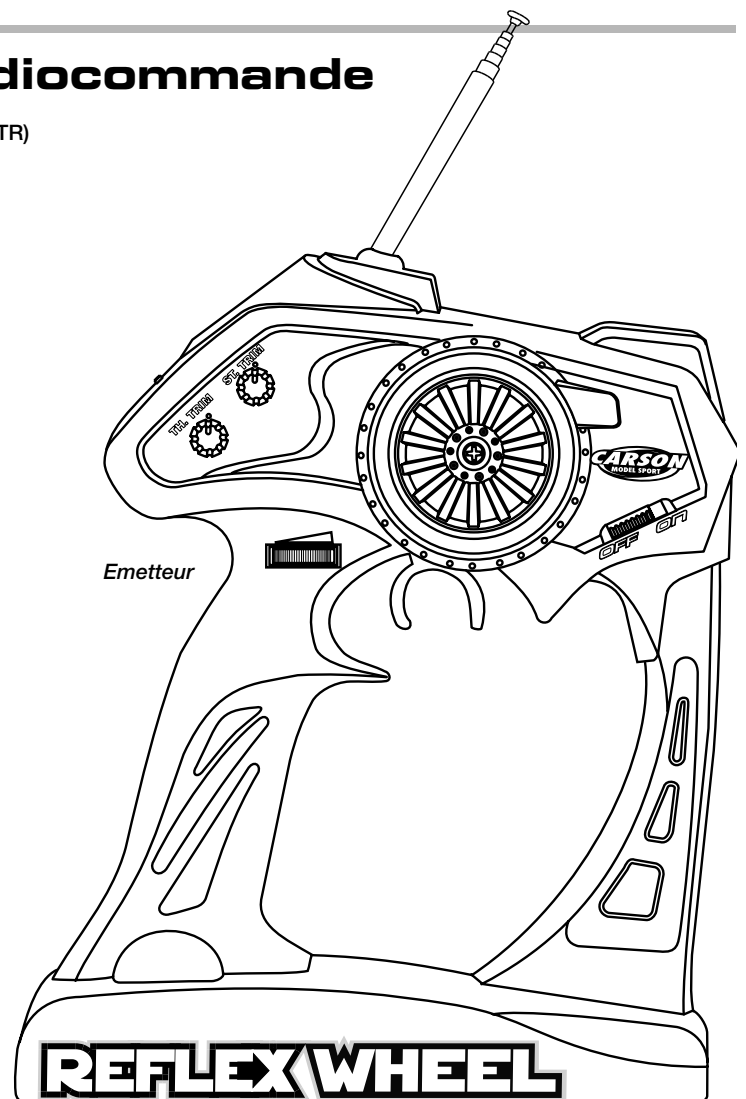
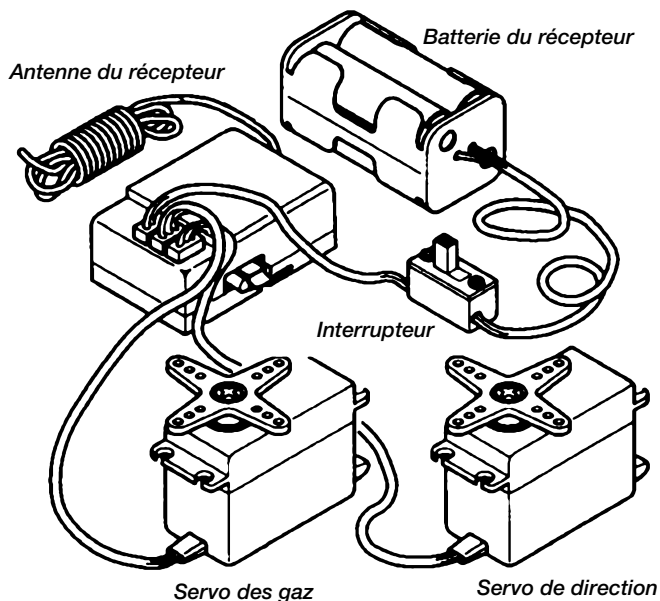
Pincettes coupantes 50 007 4035



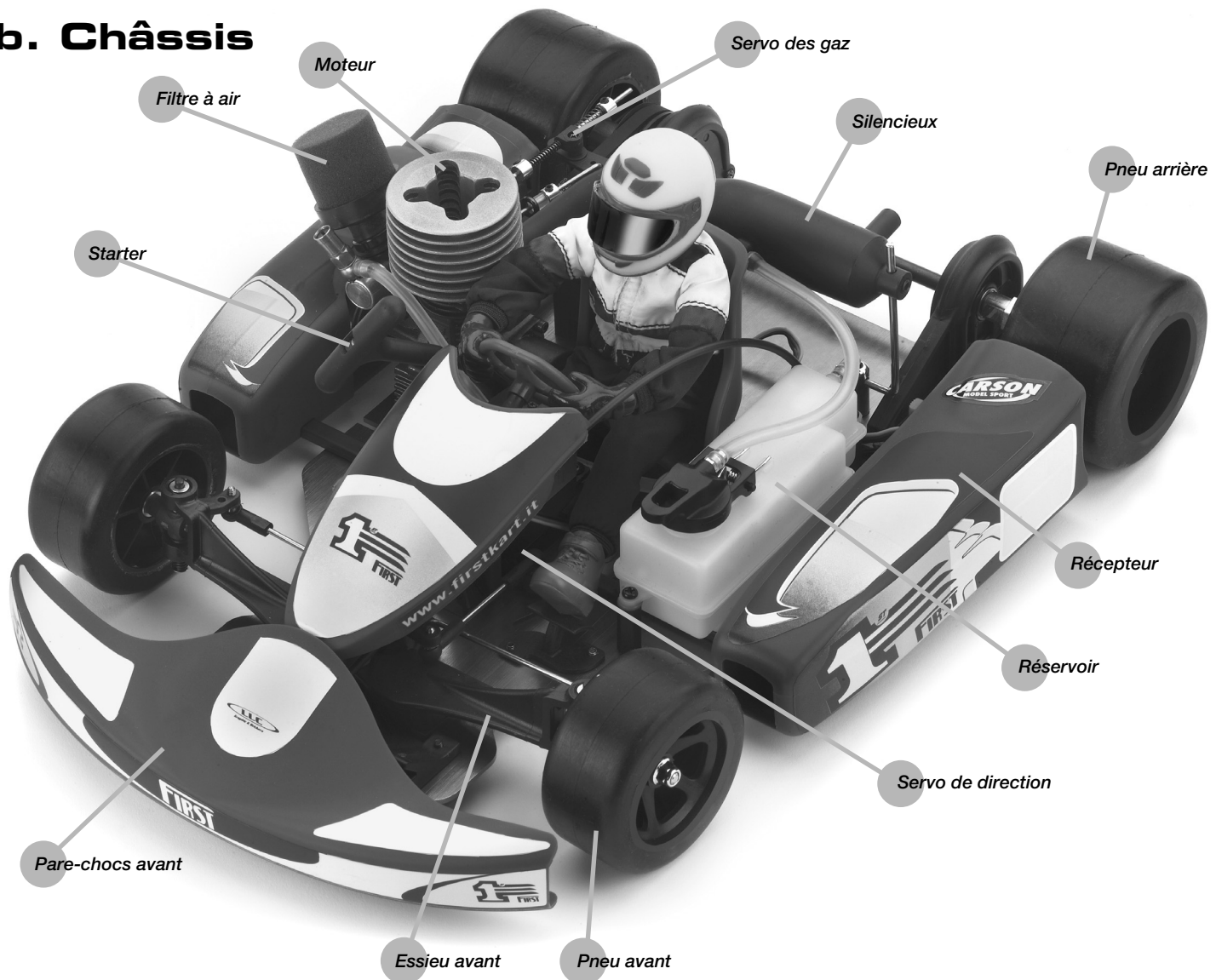
a. Votre ensemble de radiocommande à 3 canaux (uniquement pour la version RTR)

Lire attentivement le mode d'emploi fourni avec le système de radiocommande avant de s'en servir.

Les servos doivent être réglés sur neutre avant leur montage dans la voiture. Pour atteindre cette position, allumer l'émetteur, mettre les manettes sur neutre et ensuite allumer le récepteur, les servos sont maintenant au neutre. Eteindre l'émetteur tout en prenant soin de ne plus déplacer les servos.



b. Châssis



c. Alimentation

Insérer 4 piles «AA» dans le boîtier des piles de réception comme indiqué. Vérifier attentivement la polarité des piles (côtés + et -). Connecter ensuite le boîtier sur la prise de l'interrupteur dans le logement radio. Le noir sur le noir et le rouge sur le rouge. Replacer le capot du logement radio.

Conseil :

Utiliser des batteries rechargeables. Elles durent plus longtemps et sont plus économiques à long terme. Remplacer les 4 piles par un pack de batteries 6 V Ni-MH 1100 mAh (Réf. 50 060 8036 JR) (Réf. 50 060 8037 BEC).

Remarque

- Les piles sèches ne sont pas rechargeables.
- Les accus rechargeables doivent être retirés de la maquette avant d'être rechargés.
- Recharge uniquement sous la surveillance d'un adulte.
- Faire attention à la polarité en insérant les accus/ les piles.
- Après utilisation, retirer les piles/ accus vides de la maquette.

Illustration 1



- Les câbles utilisés pour le raccordement ne doivent pas être court-circuités.
- Veuillez vérifier régulièrement le système électronique, les accus, le chargeur, les fiches, les câbles, le boîtier et les autres pièces pour vous assurer qu'ils ne sont pas endommagés.

d. Commandes

Il est maintenant possible de mettre la voiture sous tension à l'aide de l'interrupteur placé sur le logement radio. Toujours allumer l'émetteur avant le modèle. Remarque : Toujours vérifier les réglages de la radiocommande avant d'utiliser la voiture !

Vérifier que les roues du modèle sont droites. Dans le cas contraire, utiliser le bouton ST-TRIM placé à droite du volant sur l'émetteur. En le tournant vers la gauche, la voiture tournera aussi vers la gauche. Inversement pour la droite.

Régler maintenant la position neutre des gaz. Retirer le filtre à air du carburateur. L'ouverture du tiroir de carburateur doit être comprise entre 1 et 1,5 mm pour que le moteur tourne au ralenti. Si l'ouverture est plus importante, le moteur tournera à un régime trop élevé sans freinage. Ceci entraînera un mauvais freinage et une usure prématurée des garnitures de frein rendant le modèle difficile à piloter.

Si nécessaire, utiliser la commande TH-TRIM pour placer le palonnier du servo en position neutre. Dans cette position, les garnitures de frein ne doivent pas être en contact. Ajuster la position des bagues d'arrêt sur la direction avec la clé de 1,5 mm. Replacer ensuite le filtre à air quand les réglages sont satisfaisants.

Illustration 2

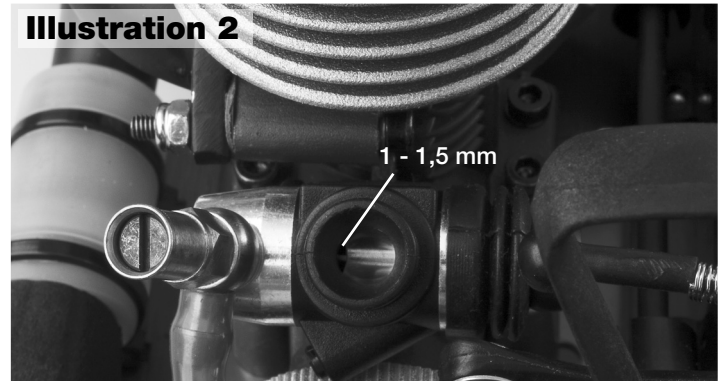


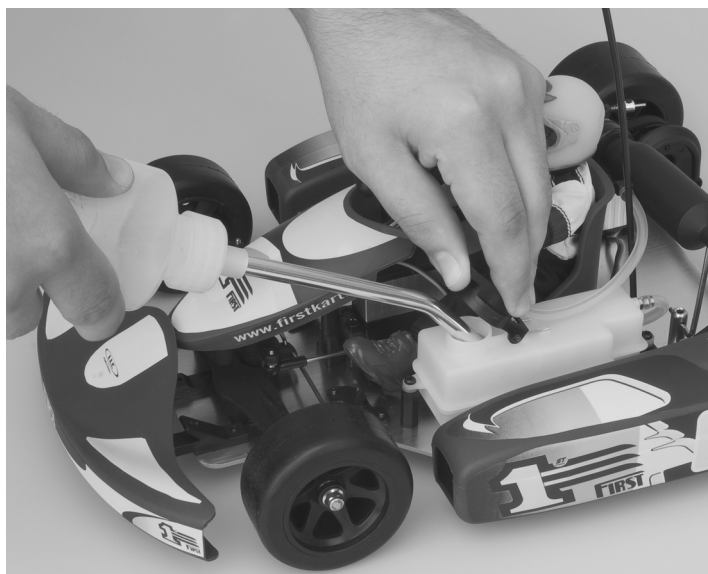
Illustration 3



F

e. Ultimes préparations

Assembler la pissette de carburant. La presser et insérer le bec dans un bidon de carburant Nitro. Relâcher lentement la pression pour permettre le remplissage de la pissette. Presser ensuite lentement la pissette pour remplir le réservoir de la voiture.



Conseil 1:

Le carburant conservera ses qualités plus longtemps s'il est entreposé dans un endroit frais, sec et obscur.

Conseil 2:

Ne jamais laisser le chauffe-bougie plus de 10 secondes sur le moteur sous peine de griller le filament de la bougie prématurément. Utiliser de préférence un chauffe-bougie rechargeable.

Conseil:

Porter des gants ignifuges pour le démarrage!

f. Mise en route

Le rodage du moteur est l'étape la plus importante pour s'assurer d'obtenir les meilleures performances et une grande fiabilité. **NE PAS OUBLIER CETTE ETAPE !**

Le moteur est pré réglé en usine pour le rodage. Utiliser un support et poser la voiture pour que les roues tournent librement et ne touchent pas le sol. Avec l'émetteur sous tension, vérifier que les gaz sont au neutre. Placer le chauffe-bougie sur le moteur et tirer le lanceur d'un coup sec. Ne pas le tirer de plus de 30 cm sous peine de casser la corde. Il est préférable d'effectuer plusieurs petites tractions qu'une grande. Si la corde du lanceur se coince, tourner légèrement le plateau avec les doigts. Ceci permettra à la corde de s'enrouler automatiquement. Après quelques tractions, le moteur doit démarrer en émettant un peu de fumée.

F

Illustration 4



Si le moteur ne tourne pas correctement au ralenti à cause du réglage de la richesse, visser la vis de ralenti par pas d'1/8 de tour. Ceci permettra d'augmenter le ralenti et d'effectuer un rodage correct du moteur. Cette étape du rodage doit être effectuée dans un endroit bien aéré. Répéter cette étape sur 2 ou 3 réservoirs complets en vérifiant la température du moteur toutes les 2 minutes. Faire une pause de 10 - 15 minutes entre deux réservoirs pleins. On doit pouvoir toucher la culasse du moteur sans se brûler. Si elle chauffe trop, dévisser (sens trigonométrique) le pointeau ET le contre pointeau d'1/8 de tour. Toujours procéder par petits incréments pour effectuer ces réglages.

Conseil:

Réglage d'usine de carburateur :

Avec le réglage suivant, le moteur démarre immédiatement, évolue parfaitement et est assez riche pour une bonne lubrification (température extérieure de 8°C).

- Vis de butée carburateur : Ouverture du tiroir au ralenti d'environ 1 mm.
- Pointeau principal : pointeau fermé complètement puis ouvrir de 4 tours.
- Pointeau de reprise : le pointeau doit affleurer la commande, visser ensuite d'un tour dans le sens des aiguilles d'une montre.

Illustration 5

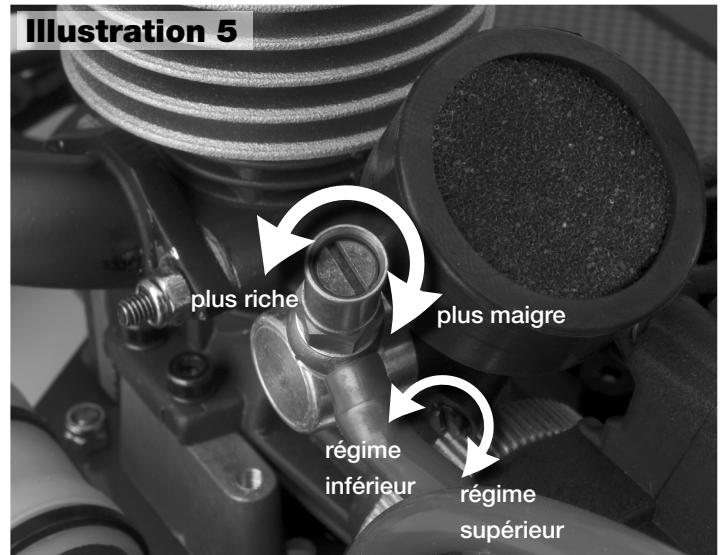
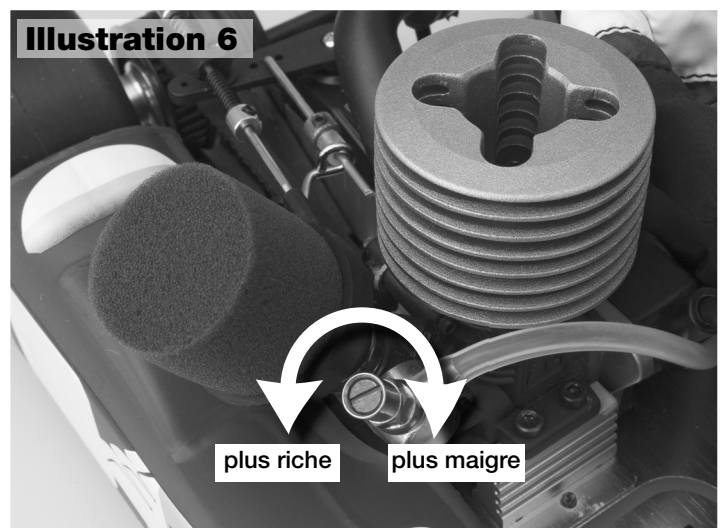


Illustration 6



Après le rodage, resserrer le pointeau principal : il doit alors être ouvert de 3 tours 1/4. Si la température extérieure est importante, la carburation doit être plus riche, ouvrir légèrement le pointeau principal.

Conseil:

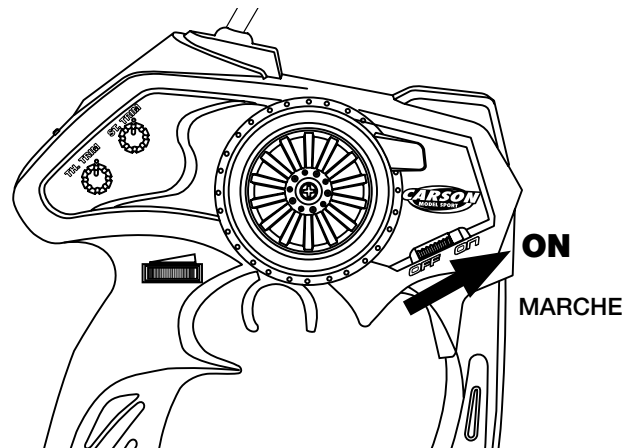
Après le rodage, maintenir le réglage du mélange un peu plus riche que la normale et éviter de rester trop longtemps en position plein gaz. Réduire ensuite le mélange par pas d'1/8 de tour. Le régime du ralenti augmentera à mesure que le mélange s'appauvrit.

g. Allumer l'émetteur

Sortir complètement l'antenne de l'émetteur.

La portée de la radiocommande est diminuée lorsque l'antenne n'est pas sortie complètement.

ATTENTION ! Toujours allumer l'émetteur en premier !



Interrupteur sur le récepteur

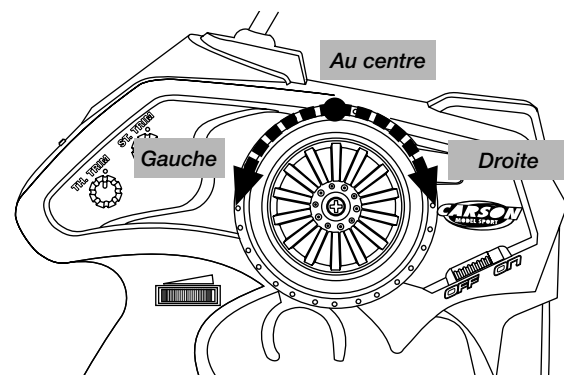
- Interrupteur sur le boîtier de réception.
- Fixer l'antenne du récepteur et le fil (voir p. 75).
- Monter la carrosserie et la fixer à l'aide des goupilles fendues.



F

h. Conduite de la voiture

- Soulever les pneus du sol.
- Tourner le volant à droite et à gauche jusqu'en butée. Les roues doivent suivre le sens de rotation du volant.
- Si les roues tournent dans l'autre sens, actionner le commutateur d'inversion (ST en position REV).
- Pour régler la vitesse, actionnez le levier des gaz/du frein
 - vers l'arrière (marche avant, accélération) et
 - vers l'avant (frein, marche arrière).



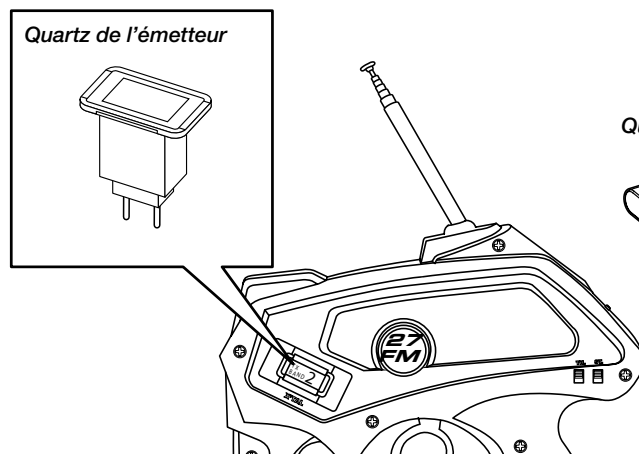
i. Changer les fréquences

Emetteur

Un changement rapide des fréquences est possible en débranchant tout simplement le quartz à l'arrière de l'émetteur et en en branchant un autre.

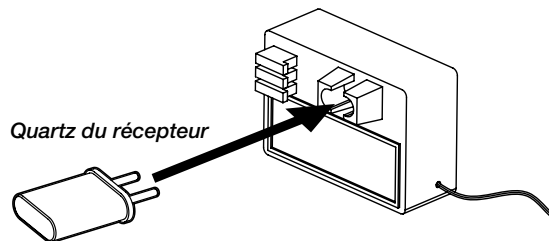
Les quartz de l'émetteur et du récepteur doivent être en correspondance.

Bien vérifier que les quartz sont bien entièrement enfoncés dans leurs logements respectifs.



Récepteur

Rebrancher un quartz interchangeable dans le récepteur pour un changement rapide de la fréquence.



F

j. Entretien et maintenance

L'absence de rodage et/ou des dommages causés par une utilisation incorrecte annulent la garantie.

Il existe deux moyens pour surveiller la température du moteur. Nous recommandons l'achat de notre thermomètre à infrarouges «Temp-Check» portant le numéro d'article 50 090 8072. La première solution est d'acheter un capteur de température. La seconde solution, plus économique, est de mettre un peu d'eau (salive) sur la culasse et de vérifier qu'elle ne bout qu'au bout de 3 ou 4 secondes. Si elle s'évapore immédiatement, le moteur est trop chaud.

Le moteur fonctionne mieux et il est plus facile à démarrer quand sa température de fonctionnement est de 100 - 125 °C. Suivant les conditions météorologiques il peut être nécessaire de modifier les réglages du carburateur. Agir sur les réglages par petits incréments afin de protéger la longévité du moteur. Un mélange trop pauvre ou l'environnement peut provoquer une surchauffe. Une surchauffe excessive peut endommager des composants du moteur.

Fin de l'utilisation

Quand vous avez fini de piloter votre modèle, il existe deux façons d'arrêter le moteur. La première méthode est d'obturer la sortie de l'échappement. Vérifier que le moteur est au ralenti, de préférence avec les freins serrés.

La seconde méthode consiste à pincer l'arrivée d'air au niveau de l'admission. Ne pas pincer l'arrivée de carburant sous peine de causer une surchauffe ! Il est possible de laisser le carburant restant alimenter le moteur jusqu'à la panne sèche. Le moteur tournera au ralenti jusqu'à son arrêt complet sans avoir à appliquer une des méthodes décrites ci-dessus.

Mettre un peu d'huile de stockage dans le carburateur et tirer le starter plusieurs fois pour répandre cette huile dans tout le moteur. Ceci est recommandé pour stocker la voiture pour plus d'une journée. Les vapeurs de méthanol produisent de l'eau préjudiciable aux parties internes du moteur.

Illustration 7



Il est également conseillé de vérifier la présence et le serrage de toutes les vis et écrous avant et après chaque utilisation. Maintenir le modèle le plus propre possible pour pouvoir en profiter longtemps. Pour cela, utiliser un pinceau ou une soufflette. Toujours vérifier les batteries d'émission et de réception avant de démarrer la voiture.

Illustration 8



Conseil:

Le port des gants est conseillé quand la voiture est chaude !

k. Pannes

Il est conseillé de lire ces informations avant la survenue de la première panne !

Le moteur ne démarre pas

Moteur noyé. Trop de carburant dans le moteur	Retirer la bougie. Tirer le lanceur 6 à 8 fois. Se méfier des projections de carburant.
Bougie morte	Retirer la bougie et la placer sur le chauffe bougie. Si le filament est noir, la bougie est morte. S'il est orange, la bougie est bonne.
Batterie du chauffe bougie morte:	Placer une bougie sur le chauffe bougie. Si elle s'éclaire faiblement ou pas du tout, remplacer ou recharger la batterie du chauffe bougie.

Réservoir vide/ Moteur non alimenté:	Remplir le réservoir. Amorcer le moteur en tirant sur le lanceur tout en bouchant la sortie d'échappement.
Surchauffe:	Une utilisation à trop haute température peut causer un serrage du moteur. Laisser refroidir 5 à 10 minutes.

F

Le moteur cale

Surchauffe	Vérifier la température. Si elle dépasse 130 °C, enrichir le mélange. Vérifier que les roues tournent librement.
Pressurisation carburant déconnectée :	Reconnecter la durite entre l'échappement et le réservoir.

Filtre à air encrassé :	Laver la mousse avec de l'eau savonneuse et l'imbibber d'huile spéciale.
Carburateur bouge	Vérifier la clavette et l'écrou de fixation. Presser le carburateur sur le moteur et serrer l'écrou pour éviter l'entrée d'air.

Difficultés pour contrôler le véhicule

Batteries mortes / vides	La batterie de l'émetteur doit être entièrement chargée. Des servos lents indiquent que la batterie de réception est vide.
Réglage de l'émetteur incorrect	Se reporter à la notice de l'émetteur.
Antenne de l'émetteur non déployée	Sortir entièrement l'antenne de l'émetteur.
Perte de contrôle	Une voiture radiocommandée utilise la même fréquence de commande à proximité.

La voiture ne bouge pas	L'émetteur ou l'interrupteur du châssis sont à l'arrêt. Mauvaise polarité ou mauvais type des batteries Batteries déchargées
Course pas droite	Réglage de direction défectueux Boulons des roues avant et arrière desserrés
Ne s'arrête pas	Réglage des gaz défectueux
Voiture trop lente	Perte de puissance du moteur Boulons des roues arrière desserrés Poussière ou corps étrangers dans la transmission

Estimado cliente

Le felicitamos por la adquisición de su coche radio controlado CARSON, que ha sido fabricado con tecnología de actualidad.

De acuerdo con nuestra política de constante desarrollo y mejora de nuestros productos, nos reservamos el derecho de efectuar cambios en las especificaciones relativas a equipo, material y diseño de este producto en cualquier momento sin noticia previa.

Las especificaciones o diseños del producto real podrían variar de los mostrados en el manual o envase.

Este manual es componente del producto. No cumplir las instrucciones operativas y de seguridad incluidas invalidará la garantía. Conserve esta guía como recordatorio o para caso de pasar el modelo a una tercera persona.

Condiciones de la garantía

Este producto está garantizado por CARSON contra defectos de fabricación en materiales o mano de obra bajo utilización normal por un período de 24 meses desde la fecha de adquisición en comercios autorizados.

En caso de defecto del producto durante el período de garantía, lleve el producto y el ticket o recibo de venta como prueba de adquisición a cualquier tienda autorizada CARSON. CARSON podrá a su elección y salvo que las leyes dispongan otra cosa:

- Corregir el defecto mediante la reparación del producto sin cargo de piezas o mano de obra;
- Reemplazar el producto por otro del mismo o similar diseño; o
- Devolver el importe de adquisición del producto.

Todas las piezas y productos reemplazados, así como los productos cuyo importe haya sido devuelto, pasan a ser propiedad de CARSON. Se podrán utilizar piezas nuevas o reacondicionadas para la prestación del servicio de garantía.

Las piezas y productos reparados o reemplazados estarán garantizados por el período restante al vencimiento de la garantía. Cualquier reparación o sustitución del producto tras vencer el período de garantía será abonada por usted.

Esta garantía no cubre:

- Daños o fallos causados o atribuibles a fuerzas de la naturaleza, abuso, accidente, uso incorrecto, impropio o anormal, falta de seguimiento de las instrucciones, mantenimiento o instalaciones inadecuadas, alteraciones, tormentas eléctricas u otros incidentes causados por exceso de voltaje o corriente;
- Todos los danos causados por la pérdida del control del modelo;
- Cualquier reparación no efectuada por un servicio de reparaciones autorizado CARSON;
- Consumibles como fusibles o baterías;
- Daños estéticos;
- Transportes, embarques y / o costos de seguros; o
- Costos de retirada del producto, instalaciones, servicio de ajuste o reinstalación.

Esta garantía le da a usted derechos legales específicos, y usted también podría tener otros derechos que variarían de estado en estado.

Declaración de conformidad

Dickie-Tamiya GmbH & Co. KG por la presente declara que este kit de modelo con radio, motor, batería y cargador está en concordancia con los requerimientos básicos 98/37EG y 89/336/EWG y otras normas pertinentes de la directiva 1999/5/EG (R&TTE).

El producto que ha adquirido está propulsado por una batería recargable Ni-MH. La batería es reciclable. Al final de su vida útil, bajo varias leyes nacionales / estatales y locales, puede ser ilegal tirar esta batería en los contenedores de basura normal. Pregunte a las autoridades locales responsables sobre las opciones adecuadas de reciclado o deshecho.



Significado del símbolo en el producto, el embalaje o las instrucciones de uso. ¡Los electrodomésticos son objetos de valor y, al final de su vida útil, no deben tirarse a la basura doméstica! Contribuya a proteger el medioambiente y los recursos entregando este aparato en los puntos de reciclaje correspondientes. La organización responsable de la recogida de basura o su establecimiento especializado podrán responder a sus preguntas.

Le deseamos buena suerte y mucha diversión conduciendo su coche radio controlado CARSON!

¡Antes de utilizar su nuevo modelo lea estas instrucciones cuidadosamente!

Índice de contenidos

Prólogo	36
Contenido del kit	37
Precauciones de seguridad	38
Artículos adicionales necesarios para el arranque del motor..	40
Herramientas necesarias para el montaje.....	41
a. Su equipo de radio 3 canales.....	41
b. Chasis.....	42
c. ¡Enchúfelo!	42
d. Probando 1...2...3.....	43
e. Últimos preparativos.....	43
f. ¡Momento de divertirse... casi!.....	44
g. Conecte la emisora.....	45
h. Volante de dirección (Controles básicos)	45
i. Cómo cambiar frecuencias	46
j. Mantenimiento y cuidados	46
k. Guía de problemas.....	47
Montaje	59
Recambios.....	82
2,5 cm ³ Motor	85

Contenido del kit



Emisora

El muñeco del conductor no está incluido en el suministro.

Éste se puede adquirir opcionalmente bajo el n.º de art.: 50 010 5034.

Modelo

Precauciones de seguridad

Precauciones de seguridad y normas de operativa

Este modelo radio controlado solo debe ser utilizado con el combustible de modelismo adecuado. Evite siempre utilizar modelos radio controlados en áreas restringidas, reducidas o pobladas. Manténgalo alejado de carreteras, autopistas gente y animales. Nunca utilice el modelo en interiores.

Con un automodelo RC de combustión no se deben transportar mercancías, personas ni animales.

¡Por favor, cerciórese de haber leído todas las instrucciones de seguridad y procedimientos de operativa antes de utilizar el modelo!

La carrocería debería estar correctamente fijada al chasis antes de conducirlo.

Permita cierto tiempo para que el escape y el motor se enfríen antes de quitar la carrocería. Estas piezas están extremadamente calientes durante el uso y podrían causar heridas serias.

El modelo no debe utilizarse de forma permanente en las proximidades inmediatas de personas, ya que bajo ciertas circunstancias pueden causarse daños auditivos.

Para evitar que el modelo sufra averías en el sistema de mando y que debido a ello funcione de manera incontrolada, se deberá comprobar que las pilas del emisor y del receptor están en perfecto estado de carga.

Compruebe siempre que no haya tuercas, tornillos pasadores o componentes sueltos. Ajuste y reapriete si fuese necesario.

Llene el depósito de combustible y cierre firmemente la tapa. Limpie cualquier vertido de combustible. No deje nunca combustible en el depósito.

E

¡Este modelo no es un juguete!

- Los modelos radio controlados no son juguetes, su manejo debe ser aprendido paso a paso
- Los niños menores de 14 años sólo deberían manejar este modelo bajo supervisión adulta.

La conducción de coches radio controlados es un fascinante hobby que debe ser practicado con la necesaria precaución y respeto. Un coche radio-controlado que tiene un peso considerable y capaz de desarrollar velocidades muy altas puede causar daños y lesiones en caso de conducción incontrolada, siendo el usuario legalmente responsable de ello.

Compruebe que dispone de un seguro con la suficiente cobertura contra los daños que pueda causar cuando practique su hobby. Sólo un vehículo montado correctamente funcionará y reaccionará de la manera esperada.

Nunca improvise en las reparaciones y utilice únicamente los recambios originales si fuese necesario. Igualmente y ante un modelo premontado, deberá repasar todas las conexiones y tortillería para asegurarse que están correctamente apretados ajustados.

Nunca comience a conducir sin haberse asegurado de los siguientes puntos:

- Las baterías de la emisora y del receptor dan buen voltaje y no están deterioradas o desgastadas.
- Compruebe antes del arranque el alcance de la radiofrecuencia.
- Compruebe siempre el funcionamiento del sistema de radio antes de utilizar el coche.
- Todos los componentes operativos están en buenas condiciones y se ha comprobado su correcto funcionamiento.
- Verificado que todos los tornillos estén correctamente apretados.
- No hay ninguna otra emisora R/C o similar cercana que pueda causar interferencias. La emisora y el receptor están conectados, y se ha comprobado el buen funcionamiento de todas sus funciones. Primero conecte la emisora, luego el receptor. Invierta el procedimiento para la desconexión. Asegúrese que nadie más está operando en la misma frecuencia que su radio y que no se aprecian interferencias.
- Extienda completamente la antena de la emisora. Asegúrese que nadie más está operando en la misma frecuencia que su radio y que no se aprecian interferencias. Siempre apague el motor y desconecte el coche antes de desconectar la emisora.
- ¡No conduzca bajo líneas de alta tensión, radio mástiles o durante tormentas eléctricas!
- Las perturbaciones atmosféricas pueden afectar las señales de su emisora de radio.
- Las conexiones eléctricas de su modelo no son estancas. En consecuencia, no lo maneje en lluvia, nieve, charcos o hierba húmeda.
- El terreno en el que se pretende operar el modelo no está abierto al tráfico y
- No es usado por personas o animales.
- No conduzca si está muy cansado o su poder de reacción está limitado de algún modo.
- Mantenga siempre contacto visual con el modelo.
- La carrocería debería estar correctamente fijada al chasis antes de conducirlo.
- Un mantenimiento y cuidado periódicos son necesarios para una potencia de marcha de primera clase.
- Permita cierto tiempo para que el escape y el motor se enfríen antes de quitar la carrocería. Estas piezas están extremadamente calientes durante el uso y podrían causar heridas serias.

Preste atención a las instrucciones de carga de su emisora.

- Asegúrese que las baterías de la emisora y el receptor están completamente cargadas y tienen el voltaje correcto
- Con baterías medio gastadas podría perder el control de su modelo.
- Nunca utilice baterías recargables o de diferente capacidad. Nunca intente recargar las baterías.

Si no utiliza el modelo por algún tiempo, la batería recargable debe ser retirada.

Por favor, lea los siguientes puntos relativos al combustible:

- Mantenga el combustible en un sitio seguro y fuera del alcance de niños o animales.
- Asegúrese que el recipiente del combustible está bien cerrada y apretada.
- Almacene el combustible en un lugar bien ventilado y sin humedad.
- El combustible glow es extremadamente inflamable. Manténgalo fuera de fuentes de calor, llamas directas, dispositivos eléctricos y baterías. No fume cerca del combustible.
- Evite el contacto con la piel y no lo inhale. Lea las etiquetas de advertencia del bote.

Deshágase de los botes vacíos del modo legalmente estipulado. Nunca tire botes vacíos al fuego.

En caso de accidente o indisposición, acudir inmediatamente al médico (mostrar si es posible la etiqueta del combustible).

Por fin

Lea detenidamente estas instrucciones de uso antes de comenzar cualquier trabajo.

Después de cada uso, todas las piezas importantes así como los conectores deberían ser comprobados. Un simple tornillo suelto puede ser suficiente para dejar al modelo en situación peligrosa! Verifique el coche periódicamente y cambie las piezas defectuosas o gastadas por recambio original .

Le deseamos buena suerte y mucha diversión conduciendo su coche radio controlado CARSON!

Artículos adicionales necesarios para el arranque del motor

Chispómetro
50 090 5044



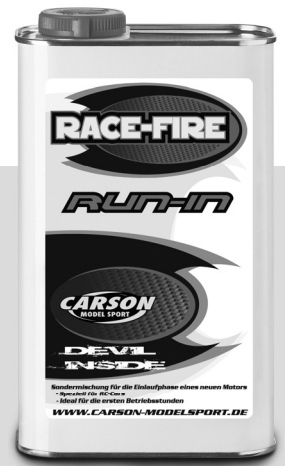
Aceite after run
50 090 5044



Aceite de filtro
50 003 2648



Biberón de combustible
50 001 3330



Combustible



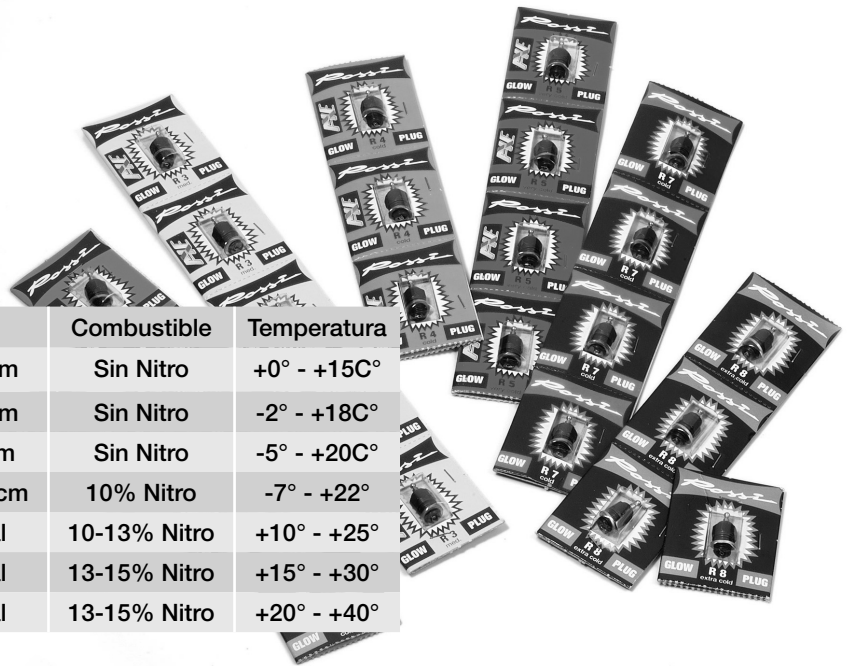
... o alternativa
Chispómetro y
Akku 50 001 1585

Se recomienda combustible CARSON

Litros	Nitrometano	Nº	Uso
1,0	10%	50 090 5052	Rodaje/ Principiantes
1,0	16%	50 090 5053	Normal
2,5	16%	50 090 5054	Normal
1,0	25%	50 090 5055	Competición
2,5	25%	50 090 5056	Competición

CARSON-ROSSI Bujía

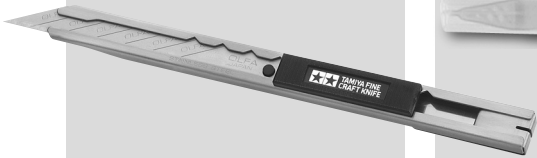
Nº	Artículo	Motor	Combustible	Temperatura
50 090 5006	Bujía Rossi R2 hot	2 - 3,5 ccm	Sin Nitro	+0° - +15°
50 090 5007	Bujía Rossi R3 medium	3,5 - 6 ccm	Sin Nitro	-2° - +18°
50 090 5008	Bujía Rossi R4 cold	6 - 10 ccm	Sin Nitro	-5° - +20°
50 090 5009	Bujía Rossi R5 extra	3,5 - 10 ccm	10% Nitro	-7° - +22°
50 090 5010	Bujía Rossi R6 cold	universal	10-13% Nitro	+10° - +25°
50 090 5011	Bujía Rossi R7 cold	universal	13-15% Nitro	+15° - +30°
50 090 5012	Bujía Rossi R8 extra cold	universal	13-15% Nitro	+20° - +40°



Para la emisora necesitará 8 baterías AA Alcalinas o recargables.

Herramientas necesarias para el montaje

Cutter de modelismo
50 007 4053



Adhesivo instantáneo
50 005 3339



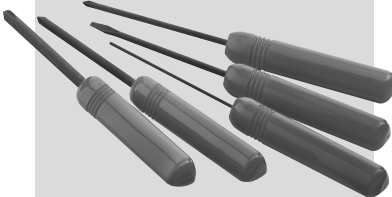
Alicates de punta fina
50 007 4034



Tijeras 50 001 3305



Destornillador Phillips
(pequeño y grande) y Llaves
allen
1,5/ 2 / 2,5 mm 50 007 4023



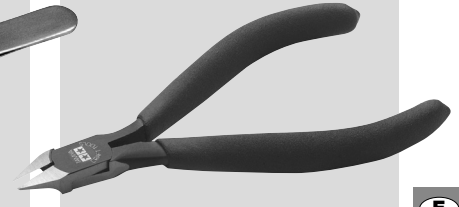
Llave de cruceta 50 001 3118



Pinzas 50 007 4003



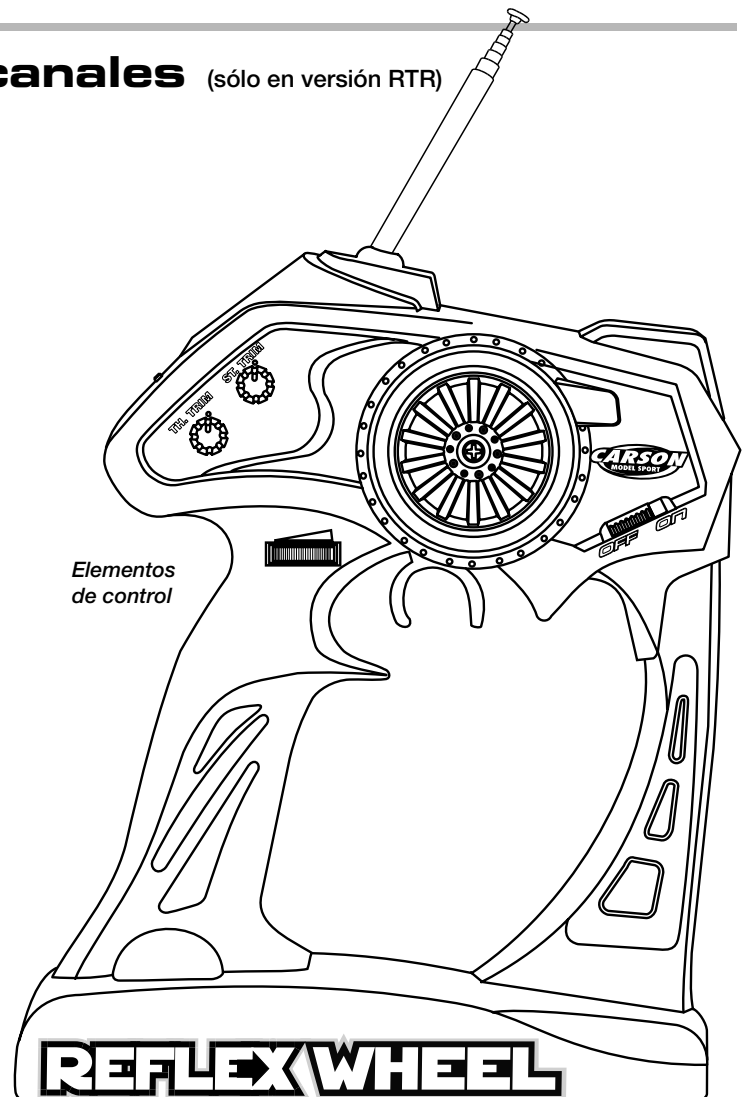
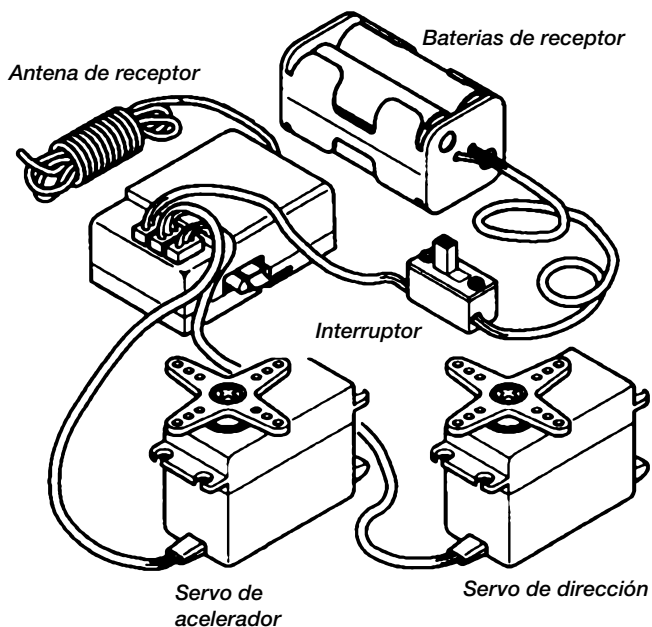
Tenacillas 50 007 4035



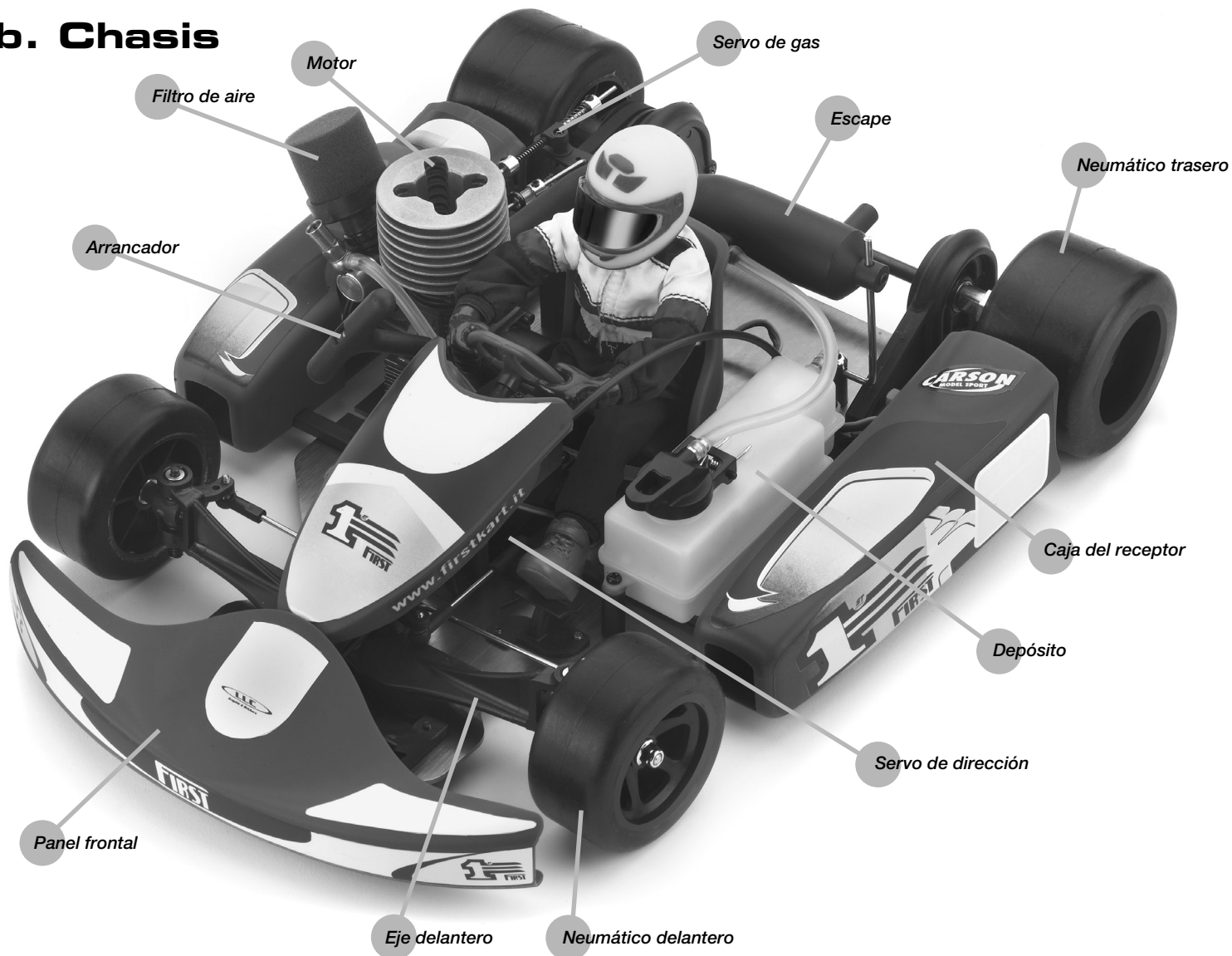
a. Su equipo de radio 3 canales (sólo en versión RTR)

Por favor, lea las instrucciones facilitadas en su equipo de radio antes de usarlo.

Los servos deben ser centrados en posición neutra antes de comenzar la instalación. Para efectuar el centrado, conecte el emisor y el receptor. Coloque las palancas de los trims en posición central y desconecte el receptor, después el emisor. Los servos estarán ahora en la posición neutra requerida para su instalación.



b. Chasis



E

c. ¡Enchúfelo!

Inserte 4 baterías "AA" en el portapilas según se muestra. Asegúrese que los terminales positivo (+) y negativo (-) estén en la posición correcta. A continuación enchufe el portapilas al conector del interruptor, dentro de la caja de radio. El rojo va al rojo y el negro va al negro. Coloque la tapa de la caja de radio.

Consejo:

Utilice baterías recargables. Duran más y las amortizará en poco tiempo. Sustituya el portapilas por nuestro pack 6 V NiMH 1100 mAh Akku (Art. 50 060 8036 JR) (Art. 50 060 8037 BEC).

Sugerencia

- Las baterías secas no se pueden volver a cargar.
- Las baterías recargables deben retirarse del modelo antes de efectuarse el proceso de carga.
- La carga se debe efectuar sólo bajo la inspección de un adulto.
- Al insertar las baterías/ pilas preste atención a la polaridad correcta.

Imagen 1



- Las baterías/ pilas vacías siempre deben retirarse del modelo una vez usadas.
- Los cables de conexión no deben cortocircuitarse.
- Verifique, por favor, periódicamente si el sistema electrónico o las baterías, clavijas de conexión, cables, caja y otros componentes presentan ciertos daños.

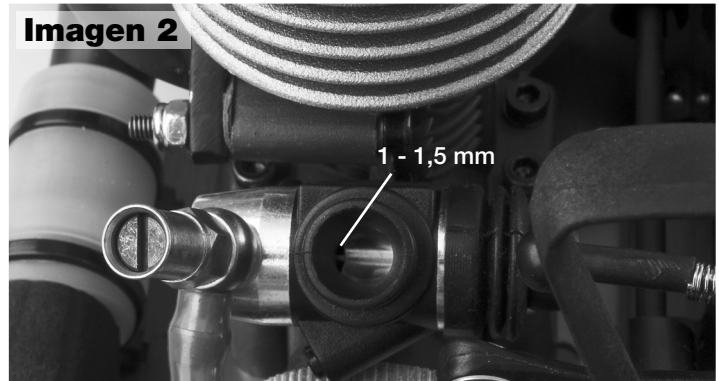
d. Probando 1...2...3...

Ahora puede conectar su coche a través del interruptor localizado en la caja de radio. Siempre conecte primero la emisora antes de conectar el coche. Nota: Compruebe siempre los reglajes de la emisora antes de utilizar el coche.

Asegúrese que la dirección esté centrada. Si no lo estuviese, utilice la palanca del trim de dirección (ST-TRIM) para efectuar el centraje. Girarla hacia la izquierda debería hacer que el coche girase a la izquierda, y viceversa.

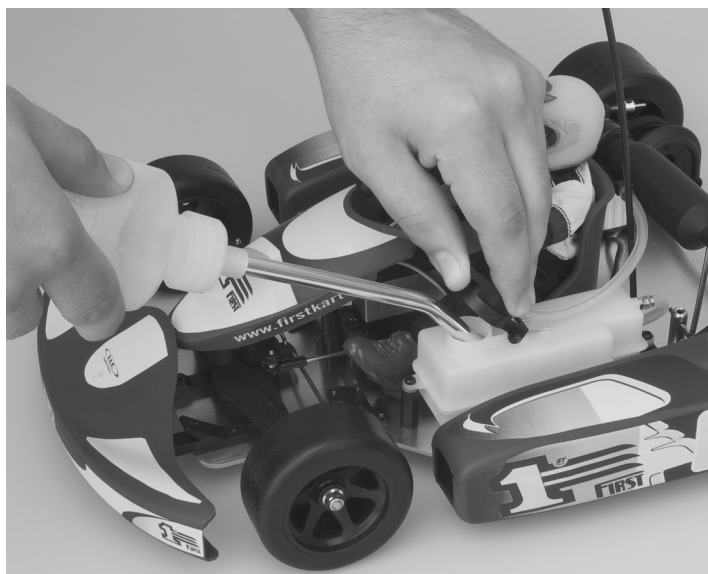
Ahora es el momento para regular el acelerador en su posición neutra. Quite el filtro de aire del carburador.

La apertura de la guillotina debería ser muy pequeña, en torno a 1-1,5 mm para permitir el ralentí del motor. Si estuviese más abierta, el motor se revolucionará más de lo normal hasta que se apliquen frenos. Esta situación desgastará prematuramente las zapatas de freno y / o embrague, haciendo al coche difícil de conducir. Utilice la palanca del trim de acelerador (TH-TRIM) para mover el brazo de servo a la posición neutra, si fuese necesario. Cuando esté en neutro, los frenos no deberían quedar ajustados. Ajustando los prisioneros del varillaje con una llave allen de 1,5 mm podrá cambiar los reglajes del freno. Coloque de nuevo el filtro de aire cuando todo quede debidamente ajustado.



e. Últimos preparativos...

Ensamble el biberón de combustible. A continuación apriételo e introdúzcalo en el bote de combustible para coches de automodelismo. Reduzca la presión y el biberón se llenará solo. Después, introduzca y apriete lentamente el biberón para llenar su depósito de combustible.



Consejo 1:

El combustible durará más si lo almacena en un lugar oscuro, fresco y seco. El chispómetro viene junto con el extremo negativo de la parte superior. Enrosque la tapa firmemente.

Consejo 2:

No deje el chispómetro en su motor durante más de diez segundos. Un tiempo superior podría causar que la bujía se fundiese prematuramente. Utilice chispómetros recargables para mayor duración.

Consejo 3:

¡Para arrancar el motor, utilice un guante ignífugo!

f. ¡Momento de divertirse... casi!

El rodaje del motor es el paso más importante para asegurarse que el motor sea rápido y fiable durante su vida útil.

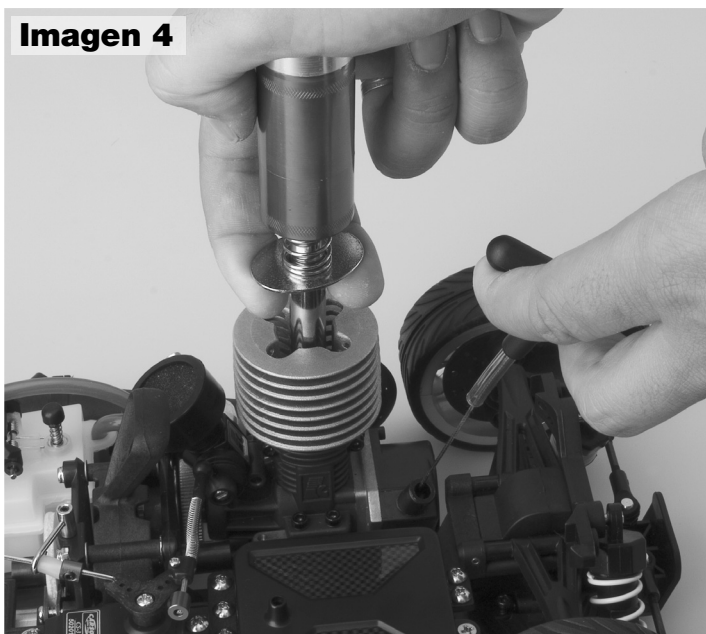
Simplemente:

NO SE SALTE ESTE PASO!

El motor está pre-ajustado de fábrica para el rodaje. Busque un taco de madera o una plataforma y coloque el coche de modo que las ruedas giren libremente sin tocar el suelo. Asegúrese con la emisora que el acelerador está en la posición neutra.

Coloque el chispómetro en la bujía y dele un tirón al arrancador. ¡No tire más de 25 cm! Más recorrido podría romper la cuerda. Es mejor dar varios tirones cortos que tirones largos. Si la cuerda del arrancador se atasca, gire un poco el volante de inercia con los dedos. Esto debería hacer que la cuerda se enrolle automáticamente. Tras algunos tirones, el motor arrancará con una buena nube de humo.

Imagen 4



Si el motor tuviese problemas de ralenti con este reglaje "graso", gire el tornillo de ralenti a la derecha 1/8 de vuelta cada vez. Esto aumentará el ralenti permitiendo al motor rodar adecuadamente. Haga esto en un área bien ventilada, por ejemplo en el exterior de su casa. El aceite sin quemar del combustible se acumulará en el escape, así que esté preparado. Deje el coche ralentizar de este modo durante 2 – 3 depósitos, comprobando la temperatura del motor cada dos minutos. Por favor, deje reposar 10 – 15 minutos entre depósito y depósito. Debería poder tocar la culata del motor con los dedos, estando caliente el motor pero sin llegar a quemar. Si parece estar demasiado caliente, "engrase" la carburación (gire a la izquierda) mediante la aguja de altas y la de bajas 1/8 de vuelta. Efectúe siempre pequeños incrementos cuando haga este tipo de reglajes.

Consejo:

Reglaje de fábrica del carburador:

Con los siguientes ajustes básicos el motor arranca inmediatamente, funciona limpiamente y suficientemente graso (temperatura exterior 8o)

- Tornillo de ralenti: Aproximadamente 1mm de apertura en el barril
- Aguja de altas: Ciérrela completamente, a continuación abra 4 vueltas completas.
- Aguja de bajas (en leva de apertura): Enrásela con el borde de la leva, a continuación gire a la derecha una vuelta completa.

Imagen 5

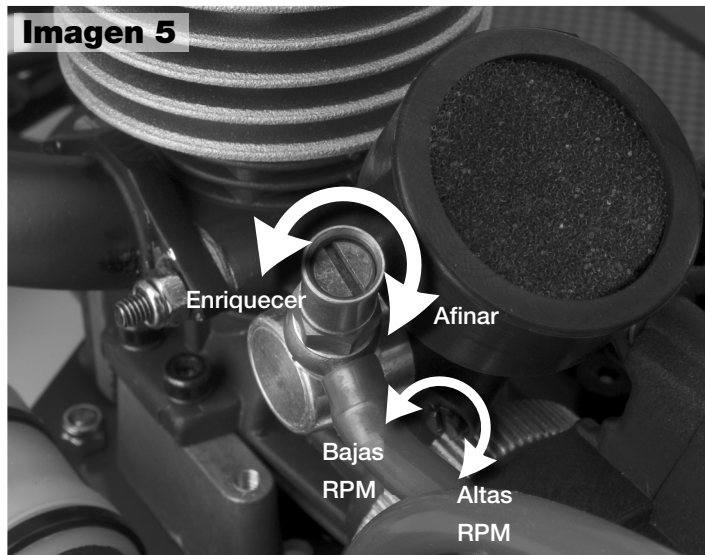
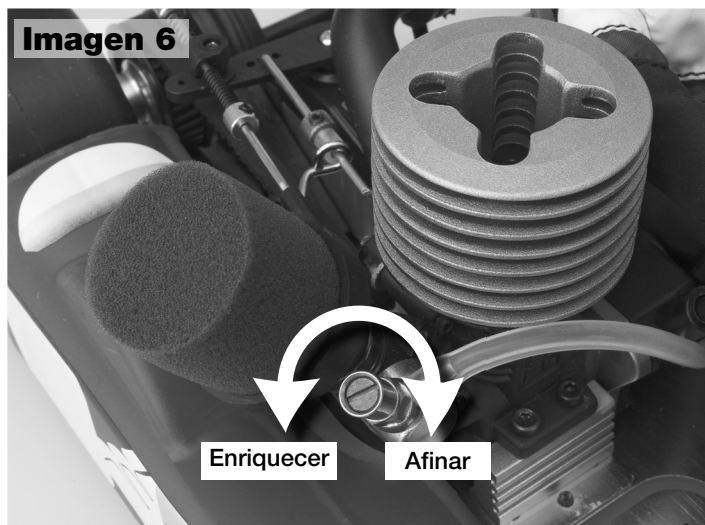


Imagen 6



Tras finalizar el período de rodaje, la aguja de altas debería quedar abierta al menos 3 y 1/4 vueltas. Un reglaje graso es mejor si la temperatura exterior es alta.

Consejo:

Conduzca el coche lentamente con la carburación "grasa" durante algún tiempo tras el rodaje, evitando períodos prolongados a pleno gas. Valla "afinando" gradualmente la mezcla 1/8 de vuelta cada vez. El ralenti aumentará en la medida que valla afinando el motor.

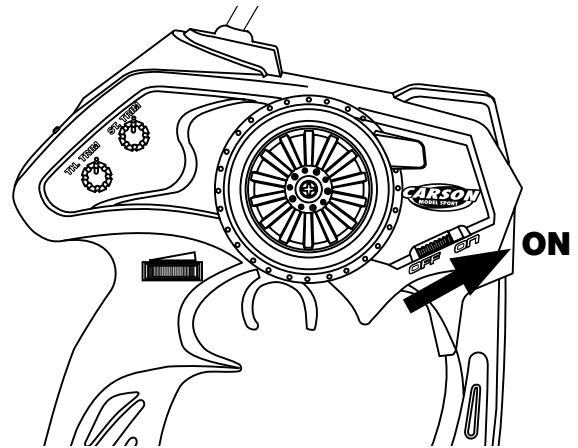
g. Conecte la emisora

Extienda completamente la antena de la emisora.

El radio de acción de la emisora se reducirá si la antena no está completamente desplegada.

PRECAUCION

¡Conecte siempre primero la emisora!



Conecte el receptor

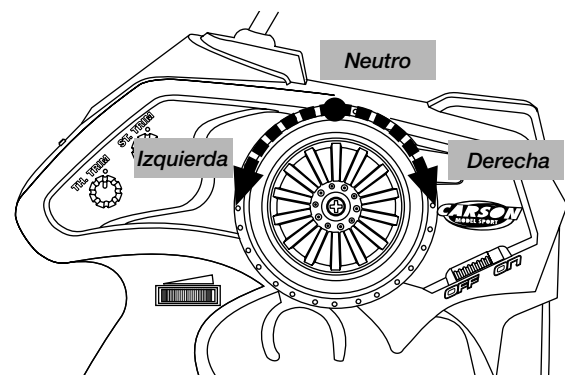
- El interruptor está en la caja de radio.
- Fije el cable de la antena del receptor (ver página 75)
- Coloque la carrocería y fíjela con los clips de carrocería.



E

h. Volante de dirección (Controles básicos)

- Levante las ruedas del suelo y compruebe que todos los controles responden.
- Gire el volante de dirección a derecha e izquierda a su máximo recorrido. Las ruedas deberían seguir el giro del volante.
- Si las ruedas giran en sentido contrario, utilice el interruptor inversor de servo (ST en posición REV)
- Para regular la velocidad presione el gatillo
 - (conduciendo hacia delante, para ganar velocidad) o
 - empújelo (frenos, marcha atrás).



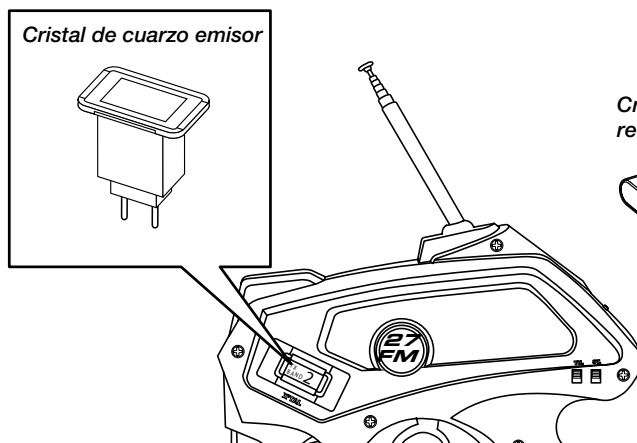
i. Cómo cambiar frecuencias

Emisora

Es posible efectuar un cambio rápido de frecuencias simplemente desenchufando el cristal intercambiable de la parte trasera de la emisora y enchufando otro.

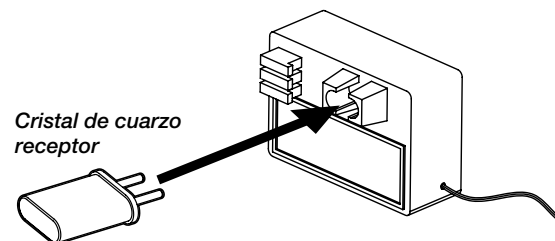
Los cristales de la emisora y el receptor deben coincidir uno con el otro.

Asegúrese que el cristal está completamente introducido en la emisora y el receptor, no parcialmente.



Receptor

Enchufe un cristal intercambiable en el receptor para un cambio rápido de frecuencias.



j. Mantenimiento y cuidados

La falta de seguimiento del período de rodaje y/o daños causados por modificaciones inadecuadas invalidará la garantía de su motor.

Hay dos métodos para comprobar la temperatura del motor. Le recomendamos la compra de un termómetro por rayos infrarrojos "Temp-Check" con el número de artículo 50 090 8072. Uno, adquirir una sonda de temperatura. El otro método, más barato pero menos preciso es el "test de saliva". Ponga un poco de saliva en la culata, ésta debería evaporarse en 3 - 4 segundos. Si se evapora inmediatamente, hay probabilidades que el motor esté funcionando demasiado caliente.

El motor funcionará mejor y será más fácil de arrancar en caliente si funciona entre 100 - 125 °C. Dependiendo de las condiciones ambientales, densidad del aire y humedad, los ajustes de la carburación variarán en el momento de cada utilización. Efectuar ajustes en pequeños incrementos es el mejor método para asegurarse que su motor durará largo tiempo. El sobrecalentamiento es causado por utilizar el motor demasiado afinado, o con demasiado estrés mecánico causado por su entorno de funcionamiento. El sobrecalentamiento severo generará fallos de las piezas internas del motor. Existen muchas fuentes de información "online" que le pueden ayudar con los ajustes de su motor. Estos motores están diseñados para durar largo tiempo, y con un adecuado ajuste y mantenimiento, podrá utilizar su modelo durante horas cada vez.

Parada

Cuando haya acabado de utilizar el coche, hay dos opciones para parar el motor. El primer método es poner el pulgar en la salida del escape. Asegúrese que el motor se encuentra al ralenti, preferiblemente con los frenos activados.

El segundo método es pinzar la entrada de aire al motor. No pince la entrada de combustible, ya que causaría sobrecalentamiento del motor.

Pruebe dejar a que el motor consuma todo el combustible del depósito hasta vaciarlo. El motor se revolucionará cuando se



Imagen 7

vacíe el depósito, de modo que los dos pasos anteriores no serán necesarios.

A continuación aplique aceite "after run" a través del carburador, y accione el tirador unas cuantas veces para repartirlo dentro del motor. Esto se recomienda si planea no utilizar el coche durante más de un día. El metanol se evapora en agua, que no es buena para las partes internas del motor. Siempre es buena idea revisar todos los tornillos, tuercas y pasadores antes de cada sesión de uso.



Imagen 8

Mantener el coche limpio hará que sea más agradable trabajar en él. Esto se puede lograr con un compresor grande similar a los utilizados para pintar o con aire comprimido. Compruebe siempre las baterías de la emisora y receptor antes de arrancar el motor.

Consejo:

¡Utilice guantes cuando trabaje con el coche caliente!

k. Guía de problemas

LEA ESTO ANTES DE QUE OCURRA.

El motor no arranca

Motor ahogado. Mucho combustible en el motor.	Quite la bujía. Accione el tirador 6 – 8 veces.	Depósito de combustible vacío / no hay combustible en el motor.	Llene el depósito. Ceba el motor tirando del arrancador mientras tapa la entrada de aire del carburador.
Cuidado con el combustible pulverizado.	Bujía fundida. Quite la bujía. Colóquela en el chipómetro. Si no prende (oscura), está fundida. Si prende (brillante), está correcta.	Sobrecalentamiento	Rodar a altas temperaturas puede producir bloqueo de vapores en el motor. Déjelo enfriar durante 5 – 10 minutos.
Chispómetro gastado.	Ponga una bujía nueva en el chispómetro. Si brilla muy levemente o no brilla, cambie la batería del chispómetro.		

El motor se para

Sobrecalentamiento	Compruebe la temperatura. Si está por encima de 130o, enriquezca la mezcla. Compruebe que las ruedas giran libremente.	Filtro de aire sucio.	Lávelo con jabón y agua, a continuación utilice aceite de filtro de aire.
Toma de presión desconectada.	Recoloque el tubo de presión del escape al depósito de combustible.	Carburador suelto.	Compruebe el pasador de sujeción del carburador y su tuerca. Presione el carburador contra el bloque de motor y apriete la tuerca para evitar tomas de aire.

Difícil de controlar, interferencias

Baterías gastadas / dañadas.	Las baterías de la emisora deberían estar completamente cargadas. La lentitud de funcionamiento de los servos significa baterías de receptor gastadas.	El modelo no se mueve	El interruptor de la emisora o del coche no está conectado. La polaridad o el tipo de batería es incorrecto. Las baterías están gastadas.
Ajuste inadecuado de la emisora.	Remítase a las instrucciones de ajuste de su radio.	No va recto	El trim de dirección no está correctamente ajustado. Las tuercas de rueda delanteras y trasera están muy sueltas
Antena de emisora no desplegada.	Extienda completamente la antena de la emisora.	No para	El trim de acelerador no está correctamente ajustado.
Pérdida de control	Hay cercano un modelo R/C usando la misma frecuencia.	Funciona muy lento	El motor ha perdido potencia. Las ruedas están muy sueltas. Han entrado en los engranajes polvo u otros objetos.

Caro Cliente

Ci congratuliamo con lei per l'acquisto di questo modello radio comandato CARSON, che è stato progettato secondo gli ultimi ritrovati della tecnica.

Per mantenere sempre aggiornati i nostri prodotti ci riserviamo il diritto di effettuare qualsiasi aggiornamento tecnico atto a migliorarne le qualità senza alcun preavviso.

Alcune caratteristiche tecniche di questo prodotto possono perciò essere diverse da quelle illustrate in questo manuale o sulla scatola.

Questo manuale fa parte di questo prodotto. In caso che non doveste seguire le istruzioni e le avvertenze di sicurezza riportate in questo manuale scade il diritto di garanzia.

Conservate questo manuale per la rilettura e per un'eventuale inoltrare di questo modello a terzi.

Condizioni di Garanzia

Questo prodotto è garantito da CARSON, da difetti di fabbricazione nei materiali e lavorazioni, riscontrati nel normale utilizzo del modello, per 24 mesi dalla data di acquisto presso un rivenditore autorizzato.

In caso di prodotto difettoso durante il periodo di garanzia, recarsi con il prodotto e lo scontrino o ricevuta presso qualsiasi rivenditore CARSON. CARSON a sua discrezione, provvederà in accordo alle normative vigenti:

- (a) Riparare il prodotto senza addebitare nulla;
- (b) Sostituire il prodotto con un altro uguale o di simili caratteristiche, o
- (c) Rimborsare il prezzo di acquisto.

Tutte le parti sostituite o rimborsate diventano di proprietà della CARSON. Nell'ambito delle prestazioni di garanzia possono essere utilizzati elementi nuovi o ritrattati.

Le parti nuove sostituite o riparate possono essere utilizzate per il servizio di garanzia. Le parti riparate o sostituite in garanzia sono a loro volta coperti da garanzia.

Dalla garanzia sono esclusi:

- Danni o guasti causati da eventi naturali, normale usura, abusi, incidenti, utilizzo non corretto, inosservanza delle istruzioni, montaggio non corretto, imperizia dell'utilizzatore, mancanza di manutenzione, fulmini o altri incidenti causati da eccesso di voltaggio;
- Tutti i danni causati dalla perdita di controllo del modello
- Tutte le riparazioni non effettuate da personale autorizzato CARSON
- Le parti di consumo e le batterie
- Danni estetici non funzionali
- Trasporto, spedizione o costi assicurativi
- Costi di ritiro del prodotto, installazioni, regolazioni e reinstallazioni.

La garanzia in ogni caso è applicata in conformità alle vigenti norme nello stato dove il prodotto è stato acquistato.

Dichiarazione di conformità

Dickie-Tamiya GmbH & Co. KG dichiara che questo modello in tutte le sue parti, radio, motore, batteria, caricabatteria, è in regola con le SEGUENTI DIRETTIVE EUROPEE: 98/37EG e 89/336/EWG Inoltre è conforme alle direttive 1999/5/EG (R&TTE).

La dichiarazione originale di conformità può essere richiesta al seguente indirizzo:
Dickie-Tamiya GmbH & Co. KG • Werkstraße 1 • D-90765 Fürth

Il prodotto che avete acquistato è alimentato da batteria ricaricabile al Ni-MH. La batteria è riciclabile.

Alla fine del suo ciclo, in diverse nazioni e/o leggi locali, potrebbe essere illegale introdurla nei cassonetti della immondizia. Assicuratevi come procedure per lo smaltimento, con il vostro locale ufficio smaltimento rifiuti.



Significato del simbolo sul prodotto, sulla confezione o nelle istruzioni per l'uso. Gli apparecchi elettrici sono prodotti riciclabili e quindi, al termine del loro ciclo di vita, non devono essere gettati tra i rifiuti domestici! Aiutateci a tutelare l'ambiente e a preservare le risorse, conferendo questo apparecchio presso i relativi centri di raccolta. Se avete domande a questo proposito, vi consigliamo di rivolgervi all'ente responsabile dello smaltimento dei rifiuti o al vostro rivenditore specializzato.

Vi auguriamo buona fortuna e buon divertimento alla guida del vostro modello CARSON.

Prima di utilizzare il vostro nuovo modello leggete attentamente queste istruzioni!

Contenuto

Prefazione.....	48
Contenuti del kit	49
Misure di sicurezza.....	50
Articoli Necessari non compresi per la messa in moto del modello.....	51
Utensili necessari al montaggio del modello	52
a. Il suo apparato radio 3 canali.....	52
b. Telaio	53
c. Alimentazione.....	53
d. Controlli	54
e. Preparativi finali	54
f. Messa in strada!.....	55
g. Interruttore trasmettitore	56
h. Come controllare il vostro modello	56
i. Come cambiare la frequenza	57
j. Servizio e manutenzione	57
k. Trattamento dei problemi	58
Montaggio.....	59
Ricambi.....	82
2,5 cm ³ Motore	85

Contenuti del kit



Trasmettitore



La figura del pilota non è inclusa nella fornitura.

È disponibile su richiesta con il N° 50 010 5034.

Modello

Misure di sicurezza

Precauzioni di sicurezza e guida operativa

Questo modello radiocomandato deve utilizzare solo miscela approvata. Evitate sempre di usare il modello in zone vietate, limitate o popolate. State lontani da strade, autostrade, persone ed animali. Non utilizzate mai il modello in luoghi chiusi.

Con l'automodellino radiocomandato a scoppio non è consentito trasportare merci, persone o animali.

Prima di iniziare ad utilizzare il modello leggere attentamente queste istruzioni!

La carrozzeria deve essere ben fissata sul modello prima della messa in moto.

Aspettare che il motore e gli scarichi si siano raffreddati prima di asportare la carrozzeria, queste parti diventano presto caldi e possono causare gravi ustioni.

Non deve essere azionato in modo continuativo nelle immediate vicinanze di persone perché potrebbe causare danni all'udito.

Per evitare guasti del sistema di controllo e la conseguente marcia incontrollata del modellino, controllare che le batterie del trasmettitore e del ricevitore siano perfettamente cariche.

Verificare il serraggio dei dadi e delle viti del modello dopo ogni corsa ed usare se necessario del frena filetti.

Riempire il serbatoio di miscela e chiudere bene il tappo, asciugare la miscela fuoriuscita. Svuotare sempre il serbatoio dopo l'utilizzo.

Questo modello non è un giocattolo!

- I modelli radiocomandati non sono giocattoli, l'utilizzo di essi deve essere imparato passo passo.
- I bambini sotto i 14 anni possono guidare il modello solo sotto la supervisione di un adulto.

Guidare un modello radiocomandato è un affascinante hobby che deve essere praticato con la necessaria cautela e rispetto. Poiché gli automodellini telecomandati hanno un peso considerevole e raggiungono velocità molto elevate, nella marcia incontrollata possono provocare notevoli danni e lesioni dei quali dovrà rispondere l'utilizzatore.

Cautelatevi con una sufficiente copertura assicurativa, che vi consenta di praticare il vostro hobby in assoluta sicurezza. Il vostro modello funzionerà bene solo se sarà tenuto in perfetta efficienza.

Utilizzare solo ricambi originali e non montare mai parti non adatte. La responsabilità del modello è direttamente di chi lo guida, per cui assicurarsi prima dell'utilizzo che tutto funzioni correttamente e che tutta la viteria sia ben stretta.

Non iniziare a guidare prima di avere osservato i seguenti punti:

- Le batterie del trasmettitore e della ricevente siano ben cariche e del corretto voltaggio.
- Controllare sempre le operazioni radio prima di far partire il modello.
- Assicuratevi che tutti servocomandi rispondano correttamente al segnale del trasmettitore.
- Tutte le parti del modello siano in buone condizioni ed assicuratevi della loro funzionalità.
- Dovete essere sicuri che tutte le viti siano ben strette.
- Che non ci siano altri modelli o trasmettitori nelle vicinanze che possano causare interferenze. Segnali di disturbo sulla stessa frequenza possono far perdere il controllo del modellino. Accendere sempre prima il trasmettitore per evitare reazioni incontrollate della ricevente o percezione di segnali estranei.
- Estraete completamente l'antenna ed assicuratevi che nessuno intorno a voi utilizzi la stessa frequenza (numero marcato sul quarzo) e che non ci siano interferenze. Spegnerne sempre prima la ricevente e quindi il trasmettitore.
- Tenete il vostro modello lontano da cavi di alta tensione o antenne radio. Non usare mai il modello durante temporali con fulmini!
- I disturbi atmosferici possono influire sui segnali del teletrasmettitore.

- Il sistema elettrico del modellino non è impermeabile all'acqua. Pertanto non guidare nella pioggia, nella neve, nelle pozzanghere o sull'erba bagnata.
- Evitate sempre di guidare il modello in zone ristrette e limitate o in aree popolate.
- State lontani da strade, autostrade, persone e animali!
- Non guidare se si è stanchi o se le proprie capacità di reazione sono ridotte per altri motivi.
- Guardare continuamente il modello e non distrarsi.
- La carrozzeria deve essere fissata correttamente al modello prima dell'utilizzo.
- Manutenzione e cure periodiche sono necessarie per ottenere delle prestazioni ottimali.
- Fare raffreddare tutte le componenti del motore prima di rimuovere la carrozzeria. Queste parti durante l'uso diventano estremamente calde e possono causare gravi ustioni.

Assicurarsi che le batterie siano ben cariche e del corretto voltaggio.

- Quando le batterie si stanno scaricando potreste perdere il controllo del modello.
- Non mischiare mai nel trasmettitore accumulatori/batterie carichi con accumulatori/batterie semiscarichi o con accumulatori di capacità diversa.
- Cercare di non caricare mai pile a secco (solo gli accumulatori sono ricaricabili).

Dopo l'utilizzo rimuovere le batterie dal modello.

Per il carburante rispettare quanto segue:

- Tenere la miscela in un luogo sicuro e fuori dalla portata dei bambini e di animali domestici.
- Assicurarsi che il recipiente sia ben chiuso.
- Tenere la miscela in luogo ben ventilato ed asciutto.
- Il carburante è estremamente infiammabile. Tenerlo lontano da tutte le fonti di calore, da fiamme libere, apparecchi elettrici e batterie. Non fumare nelle immediate vicinanze.
- Evitate di toccare e Assolutamente Non inalare. Leggere attentamente le avvertenze riportate sulla confezione.

Buttare il contenitore vuoto negli appositi bidoni. Non buttare il recipiente anche vuoto sul fuoco.

In caso d'infortunio o di malore, consultare immediatamente un medico (recare possibilmente con sé l'etichetta del carburante).

A fine utilizzo

Leggere attentamente le presenti istruzioni prima di intraprendere qualsiasi operazione.

Dopo ogni utilizzo, verificate sempre che tutte le parti siano in perfetta efficienza, e ricordatevi che un solo particolare difettoso può causare gravi danni alle persone. Controllate periodicamente il vostro modello e sostituite le eventuali parti danneggiate solo con ricambi originali del modello.

Vi auguriamo buona fortuna e buon divertimento con il vostro modello CARSON.

Articoli Necessari non compresi per la messa in moto del modello

Accendi candela
50 090 5044



Olio Afterrun
50 090 5044

olio filtro
50 003 2648



Riempitore
50 001 3330



Miscela



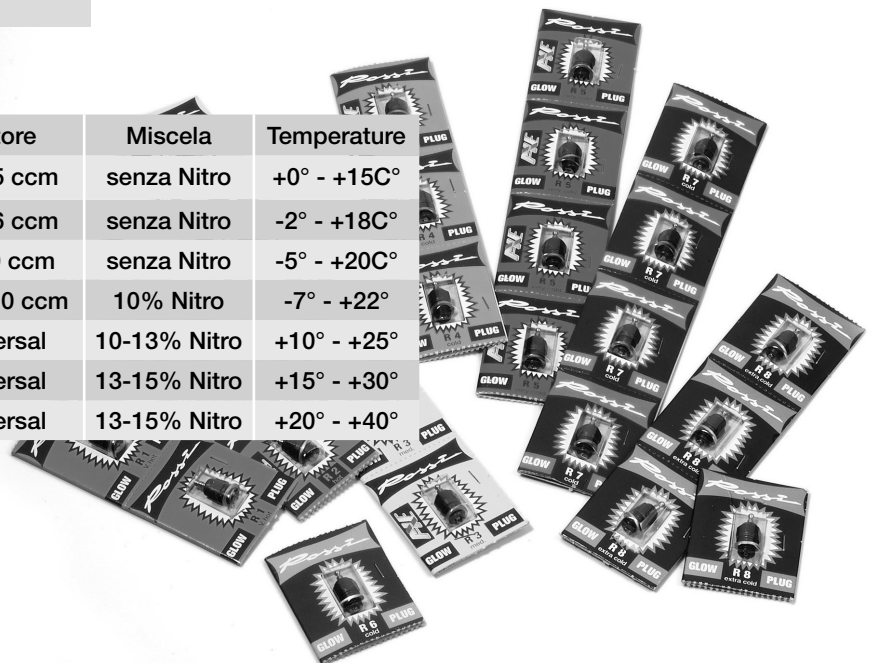
... oppure
batteria 2V con pinza
candela 50 001 1585

Miscela CARSON

Litro	Nitrometano	N°	Utilizzo
1,0	10%	50 090 5052	Rodaggio/ principianti
1,0	16%	50 090 5053	Normale
2,5	16%	50 090 5054	Normale
1,0	25%	50 090 5055	Race
2,5	25%	50 090 5056	Race

Candele CARSON-ROSSI

N°	Articolo	Motore	Miscela	Temperature
50 090 5006	Glow plug Rossi R2 hot	2 - 3,5 ccm	senza Nitro	+0° - +15°C°
50 090 5007	Glow plug Rossi R3 medium	3,5 - 6 ccm	senza Nitro	-2° - +18°C°
50 090 5008	Glow plug Rossi R4 cold	6 - 10 ccm	senza Nitro	-5° - +20°C°
50 090 5009	Glow plug Rossi R5 extra	3,5 - 10 ccm	10% Nitro	-7° - +22°
50 090 5010	Glow plug Rossi R6 cold	universal	10-13% Nitro	+10° - +25°
50 090 5011	Glow plug Rossi R7 cold	universal	13-15% Nitro	+15° - +30°
50 090 5012	Glow plug Rossi R8 extra cold	universal	13-15% Nitro	+20° - +40°



Per la trasmittente necessitano 8 batterie AA Stilo a secco o ricaricabili.

Utensili necessari al montaggio del modello

Cutter 50 007 4053



Colla istantanea 50 005 3339



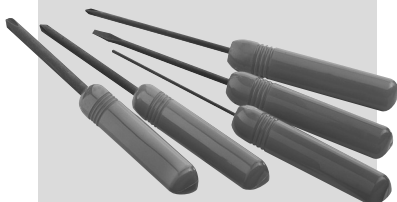
Pinze 50 007 4034



Forbici 50 001 3305



Cacciaviti esagonali e brugola
1,5 / 2 / 2,5 mm 50 007 4023



Chiave candela 50 001 3118



Pinzette 50 007 4003



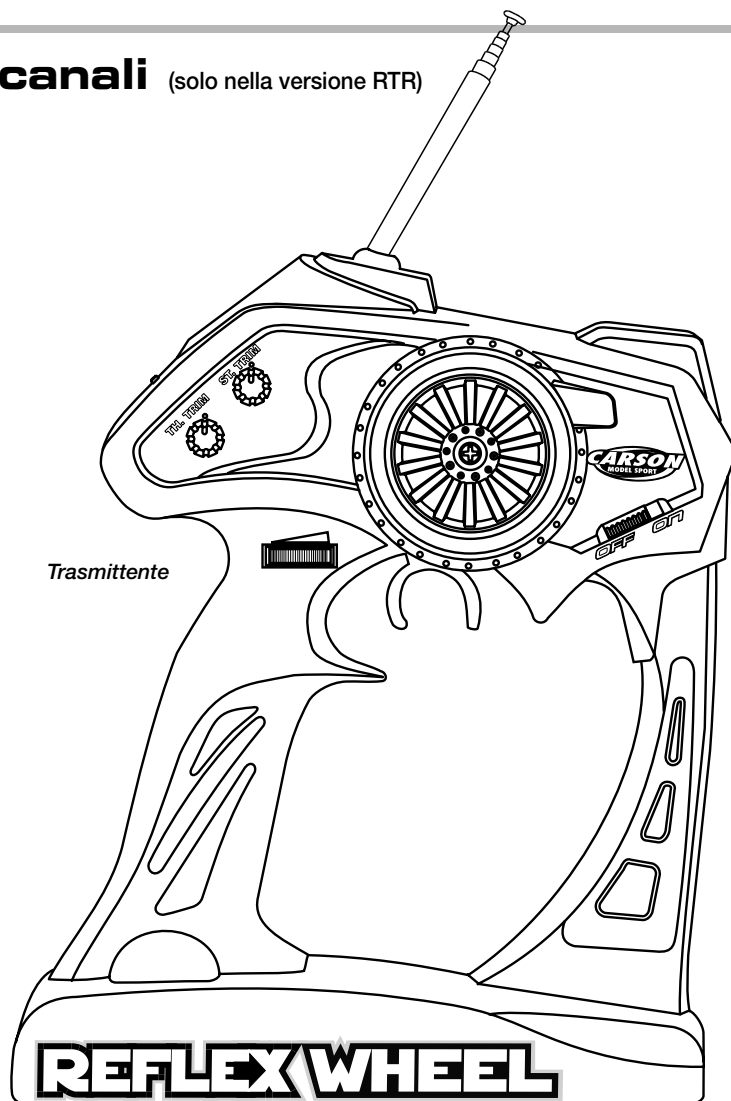
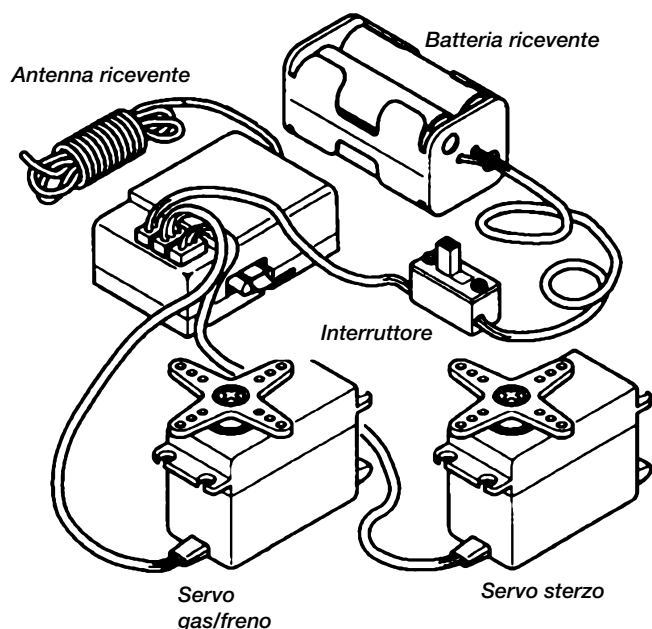
Tronchesina 50 007 4035



a. Il suo apparato radio 3 canali (solo nella versione RTR)

Vi preghiamo di leggere le istruzioni del vostro radiocomando prima di usarlo.

I servi debbono essere regolati al centro prima di essere installati. Per regolare una posizione neutra accendere il trasmettitore e la ricevente. Regolare i trims in posizione centrale e spegnere la ricevente. I servi saranno ora regolati al centro e pronti per l'installazione.



b. Telaio



c. Alimentazione

Inserire 4 batterie tipo "AA" nel porta batterie della ricevente come da foto. Assicuratevi di posizionare le batterie con la giusta polarità, positivo (+) e negativo (-). Quindi collegate la spinetta della batteria con la spinetta dell'interruttore. Il nero con il nero ed il rosso con il rosso. Riposizionare il vano batterie.

Consiglio:

Utilizzate delle batterie ricaricabili. Hanno una buona durata e si ammortizzeranno in breve tempo. Sostituire il porta pile con il nostro pacco batterie 6 V NiMH 1100 mAh (codice 50 060 8036 JR) (codice 50 060 8037 bec).

Nota

- Le batterie a secco non sono ricaricabili.
- Le batterie ricaricabili devono essere tolte dal modellino prima di essere ricaricate.
- Effettuare la carica solamente sotto la supervisione di un adulto.
- Prestare attenzione alla corretta polarità durante l'inserimento delle batterie.
- Le batterie esauste devono sempre essere tolte dal modellino dopo l'uso.
- Non mettere in cortocircuito i cavi di collegamento.
- Controllare regolarmente il sistema elettronico, le batterie, il caricabatterie, le spine di collegamento, i cavi, l'alloggiamento e altri componenti per verificare che non siano danneggiati.

Immagine 1



d. Controlli

Ora potete accendere il vostro modello utilizzando l'interruttore on/off posizionato sulla scatola radio. Accendere sempre prima il trasmettitore e dopo la ricevente. Controllate sempre le regolazioni prima di accendere il modello!

Controllate che lo sterzo sia centrato. Se non lo fosse, usate il pomello ST-TRIM a sinistra del volantino di comando sterzo. Girando il volantino verso sinistra il modello deve girare a sinistra e girando a destra il modello deve andare a destra. Consiglio: Leggere attentamente il manuale della vostra radio per effettuare le regolazioni avanzate.

Adesso bisogna regolare l'acceleratore in posizione neutra. Rimuovere il filtro dell'aria.

L'apertura della ghigliottina deve essere molto ridotta, da 1 a 1,5 mm per permettere al motore di girare al minimo. Se è molto più aperta il motore rimarrà accelerato anche con il freno azionato, provocando una più rapida usura sia delle pastiglie dei freni che della frizione, creando difficoltà di guida del modello. Quindi utilizzate se necessaria la regolazione del trim TH-TRIM per mettere il servo in posizione neutra. In questa posizione neutra il freno non deve essere bloccato. Se necessita agite con chiavetta esagonale da 1,5 mm. sul collarino della leva freno. Rimontare il filtro aria quando avete finito le regolazioni.

Immagine 2

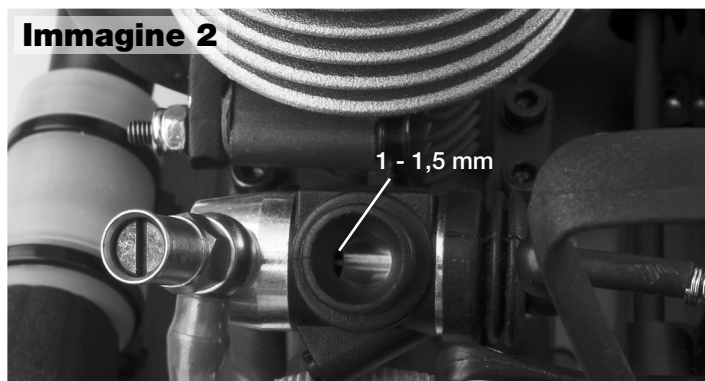
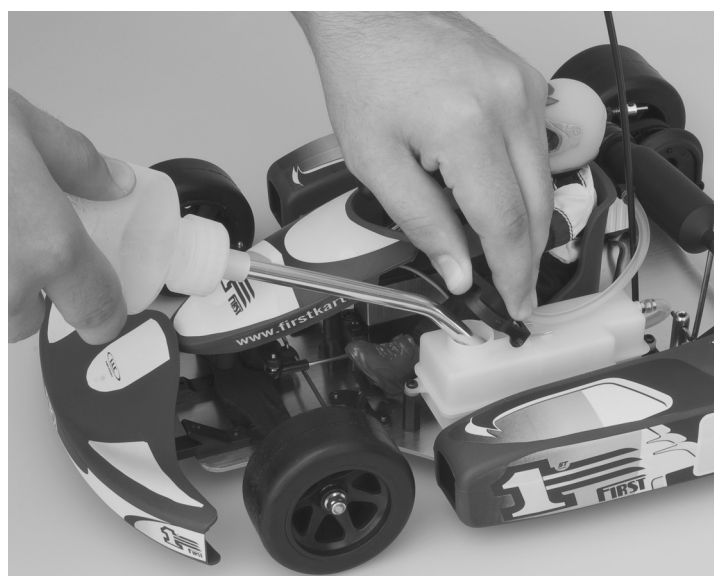


Immagine 3



e. Preparativi finali

Assemblare il riempitore miscela. Per riempire di miscela il riempitore, bisogna comprimerlo ed immergerne il beccuccio nel contenitore della miscela. Lasciare decomprimerlo e si riempirà di miscela. Riempite il serbatoio premendo dolcemente sul riempitore ed assicurarsi a fine riempimento che il tappo sia ben chiuso.



Consiglio 1:

La miscela durerà più a lungo se tenuta in luogo fresco, asciutto ed al buio.

Consiglio 2:

Non lasciare più di 10 secondi la pipette candela collegata alla candela. Un tempo superiore né può causare la bruciatura prematura del filamento. Per una maggiore durata utilizzate una pipette candela ricaricabile.

Consiglio 3:

Per l'avviamento utilizzare appositi guanti ignifughi!

f. Messa in strada!

Un buon rodaggio del motore, assicura buone prestazioni e lunga vita al vostro motore. Assolutamente:
NON SALTATE QUESTA PARTE!

Il motore è già regolato per il rodaggio. Posizionate il modello su un supporto in maniera che le ruote siano libere di muoversi. Assicuratevi che il gas sia in posizione neutra. Collegate la pipetta candela alla candela e date una tirata secca. Non tirate più di 25 cm! Se esagerate si può rompere la corda. E' meglio dare molti strappetti corti che uno ampio, non è una motosega! Se la corda si arrotola, girate con le dita il volano. Questo movimento fa raccogliere la cordicina dello strappo. Dopo poche tirate, il motore si avvierà emettendo abbastanza fumo.



Se il motore regolato così grasso fa fatica a tenere il minimo, girate la regolazione del minimo di 1/8 di giro alla volta in senso orario. Così aumenterete il minimo e farete un buon rodaggio.

Effettuate queste operazioni in un'area ben ventilata, magari sul marciapiede di casa. L'olio della miscela non bruciato si depositerà sotto la vostra marmitta. Continuate questo rodaggio per 2/3 serbatoi completi, controllando la temperatura ogni 2 minuti. Aspettate 10/15 minuti da un serbatoio all'altro per permettere al motore di raffreddarsi. Toccando con la punta delle dita la testa del motore, dovrà essere calda, ma non bollente. Se vi sembra troppo calda, ingrassate leggermente girando sempre di 1/8 di giro. Fate sempre delle piccole regolazioni, quando andate intorno alla carburazione.

Consiglio 1:

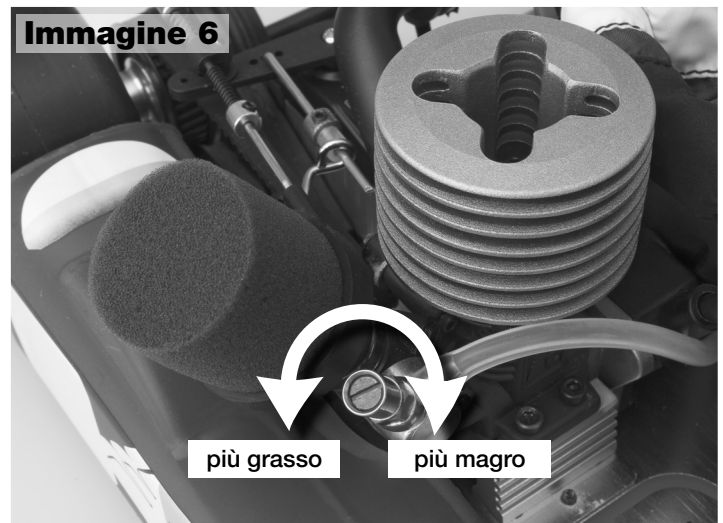
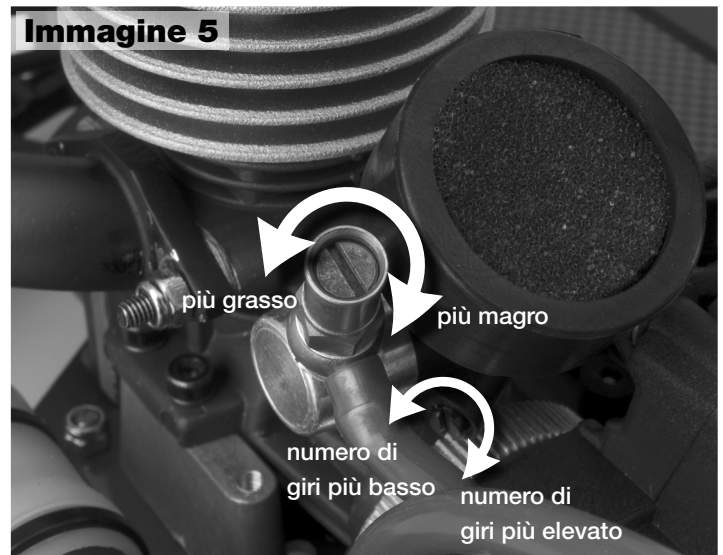
Regolazioni alla fabbrica del carburatore:

Con queste regolazioni di base già effettuate dalla fabbrica, il motore si avvierà immediatamente e sarà ben regolato, le regolazioni sono effettuate per una temperatura esterna di 8 gradi.

Ci raccomandiamo di toccare le regolazioni solo se necessarie, ed all'occorrenza farsi aiutare da un amico più esperto.

- Vite di arresto ghigliottina: approssimativamente 1 mm. di apertura
- Spillo del massimo: serrarlo completamente e poi aprire di 4 giri completi
- Spillo del minimo: portarlo rasente alla leva del gas e fare un giro completo in senso orario

Dopo avere effettuato il rodaggio l'apertura dello spillo del massimo deve essere ridotta a 3 giri e 1/4. Se le temperature esterne sono più alte usare una carburazione più grassa.



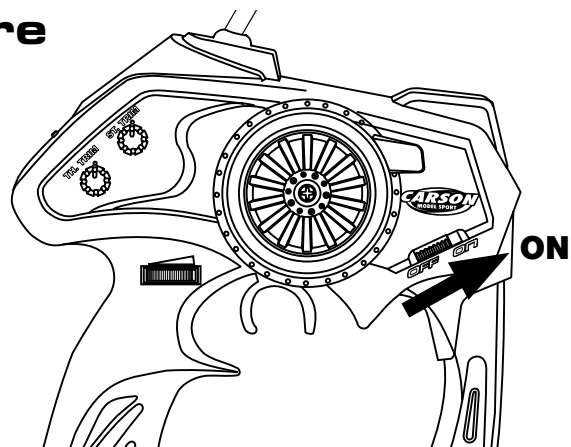
Consiglio 2:

Durante questa fase guidate il modello evitando lunghe accelerazioni. Gradualmente smagrite sempre con piccole regolazioni di 1/8 di giro. Smagrendo il minimo si alzerà.

g. Interruttore trasmettitore

Estrarre l'antenna del trasmettitore completamente.
La gittata del radiocomando si riduce notevolmente se non estraete completamente l'antenna.

ATTENZIONE! Accendere sempre prima il trasmettitore!



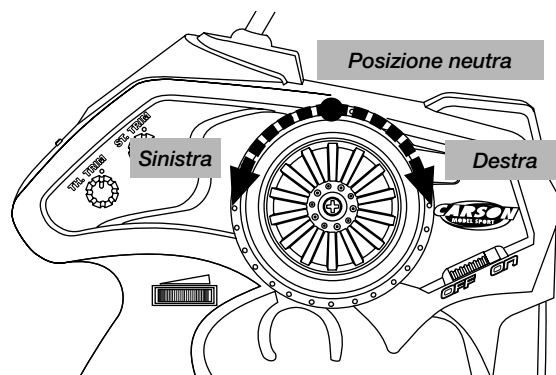
Interruttore della ricevente

- L'interruttore della ricevente è dentro la scatola di protezione.
- Inserire l'antenna della ricevente nell'apposita guaina flessibile (vedi pagina 75).
- Montate la carrozzeria e fissatela con le clips in dotazione.



h. Come controllare il vostro modello

- Alzare le gomme da terra e controllare che i comandi rispondano.
- Girate il volantino dello sterzo a destra e a sinistra. Le ruote devono sterzare seguendo i comandi.
- Se le ruote girano in modo inverso, invertite i Reverse del servo (ST in posizione REV).
- Per regolare la velocità agire sulla leva del gas/freno
 - indietro (per andare avanti ed accelerare) e/o
 - in avanti (per frenare o andare in retromarcia).



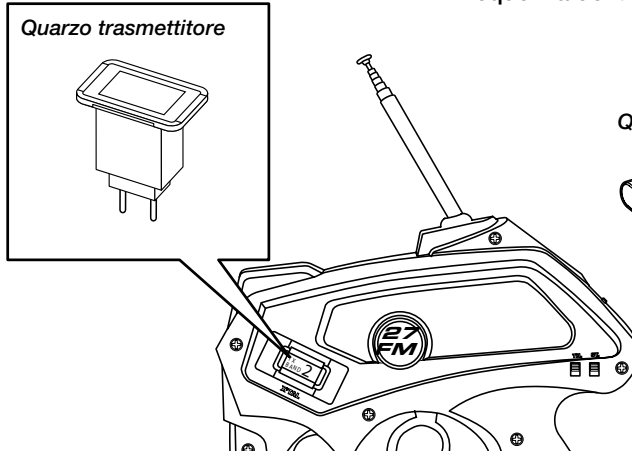
i. Come cambiare la frequenza

Trasmittitore

E' possibile sostituire il quarzo semplicemente sfilandolo dal suo alloggiamento nel retro del trasmettitore e inserendone un altro.

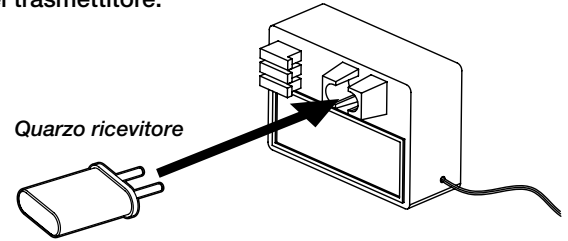
Assicurarsi che i quarzi del trasmettitore e della ricevente siano della stessa frequenza.

Assicurarsi che il quarzo sia completamente infilato e fissato saldamente.



Ricevente

Per un rapido cambio di frequenza sfilare il quarzo ricevente e sostituirlo con un altro, avendo cura che sia della stessa frequenza del trasmettitore.



j. Servizio e manutenzione

La non esecuzione di un buon rodaggio, e/o il danneggiamento causato da parti Tuning invalideranno la garanzia sul motore.

Ci sono 2 metodi per provare la temperatura del vostro motore. Consigliamo l'acquisto del nostro termometro a infrarossi „Temp-Check“ con il numero di articolo 50 090 8072.

Acquistare una sonda termica. La seconda meno costosa, ma anche meno accurata è la tecnica della saliva. Mettere un po' di saliva sulla testa del motore e dovrebbe evaporare in 3/4 secondi.

Se evapora immediatamente può voler dire che il motore sta scaldando troppo. Il motore gira bene e si riavvia facilmente se non supera i 100/125 gradi di temperatura. A seconda della temperatura, della densità dell'aria, umidità, il carburatore va regolato di conseguenza. Fare delle piccole regolazioni è sempre la cosa migliore, per far durare più a lungo il vostro motore. Il surriscaldamento è causato da una regolazione troppo magra, o da un utilizzo in condizioni critiche. Questo surriscaldamento può danneggiare le parti interne del motore. Ci sono molti accorgimenti che potete usare per fare durare più a lungo il vostro motore, e potete guidare il vostro modello per molte ore. Per spegnere il motore ci sono 2 sistemi. Il primo metodo è quello di chiudere con un dito lo scarico. Assicuratevi che il motore sia al giusto minimo e con il freno attivato.

Fine utilizzo

Per spegnere il motore ci sono 2 sistemi. Il primo metodo è quello di chiudere con un dito lo scarico. Assicuratevi che il motore sia al giusto minimo e con il freno attivato.

Il secondo metodo consiste nel tappare il filtro dell'aria, quindi facendogli mancare ossigeno. Non strozzare mai il tubetto miscela, può causare un surriscaldamento del motore.

Nel caso si lasci consumare tutta la miscela contenuta nel serbatoio, il motore si spegnerà da solo.

Applicare dall'apertura del carburatore un olio "after run" e dare dei colpetti con lo strappo, in maniera da metterlo in circolo. Questo passo è necessario se non utilizzate la macchina per più di un giorno, in quanto il metanolo evaporando lascia dei

Immagine 7



residui di acqua che sono dannosi per il motore. E' consigliabile controllare sempre che tutte le viti ed i dadi siano ben stretti ed ove necessario applicare del frena filetti.

Mantenere la macchina pulita aiuta anche a lavorarci intorno. Per pulire si può utilizzare un compressore ad aria, o appositi prodotti spray o a pennello. Controllare sempre le batterie del trasmettitore e della ricevente prima di mettere in funzione il motore.

Immagine 8



Consiglio:

Indossare appositi guanti quando il motore è caldo!

k. Trattamento dei problemi

Leggere queste avvertenze prima che si verifichino!

Il motore non parte

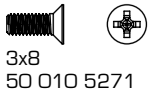
Motore ingolfato. Troppa miscela nel motore	Smontare la candela, tirare lo strappo 6-8 volte, attenzione agli spruzzi di miscela.	Serbatoio vuoto/ non arriva miscela al motore	Riempite il serbatoio. Tappare con un dito lo scarico e fare l'avviamento con lo strappo.
Candela bruciata	Smontare la candela, collegarla alla pipetta candela. Se rimane nera vuol dire che è bruciata, se diventa arancio è ancora buona.	Surriscaldamento	Se il motore è molto caldo si può bloccare, quindi lasciare raffreddare per 5/10 minuti.
Alimentatore candela scarico:	Montate una candela nuova. Se non si accende, cambiate la pipetta candela o sostituite la batteria.		

Calo di prestazioni del motore

Surriscaldamento	Controllare la temperatura. Se supera 150 gradi, ingrassare la carburazione. Assicuratevi che le ruote girino senza impedimenti.	Filtro aria sporco	Lavarlo con acqua e sapone, quindi imbevetelo con l'apposito olio per filtri. (N° 50 003 2648)
Tubetto presa di pressione staccato	Ricollegare la presa di pressione della marmitta al serbatoio.	Carburatore lento	Controllare il dado bloccaggio carburatore. Spingere il carburatore nell'apposita sede e stringere bene il dado per evitare bolle d'aria.

Difficoltà di controllo, Interferenze

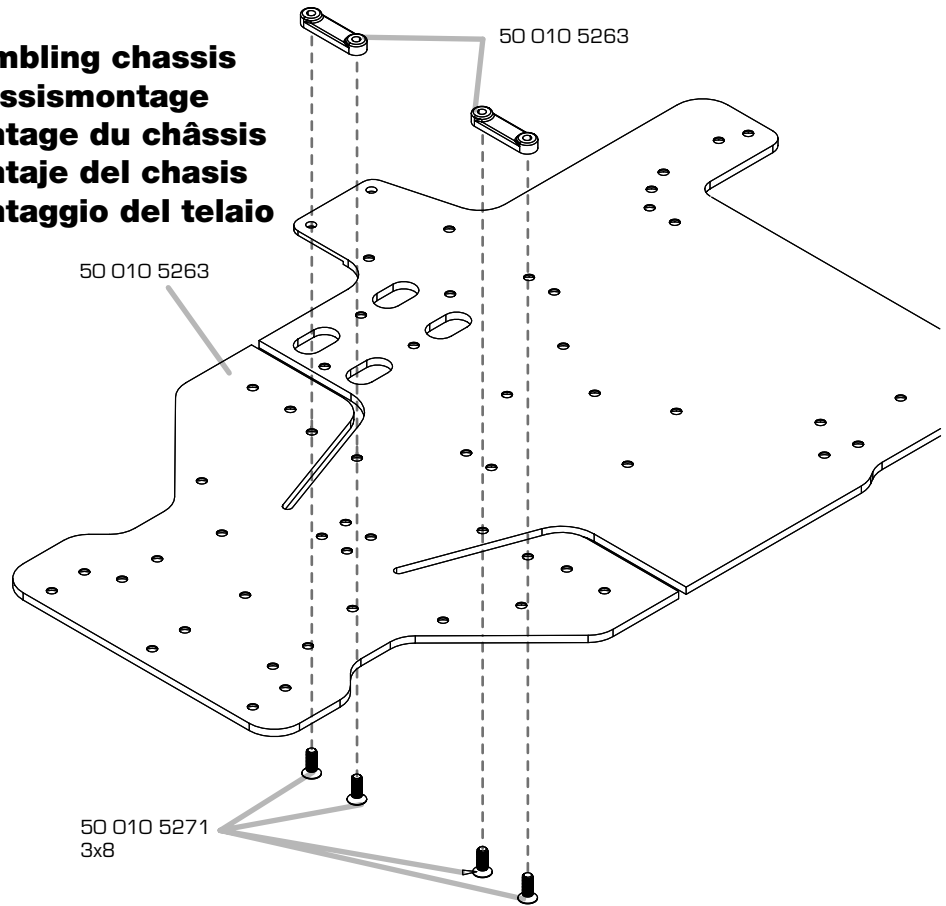
Batterie scariche o danneggiate	Le batterie del trasmettitore debbono essere completamente cariche. Se i servi si muovono lentamente si stanno scaricando le batterie della ricevente	Il modello non si muove	Il trasmettitore o l'interruttore del modello non è acceso. Errata polarità o batteria sbagliata. Le batterie sono esaurite.
Regolazioni trasmettitore sbagliate	Controllare le istruzioni di regolazione del radiocomando.	Non va dritto	Il trim dello sterzo non è regolato bene I dadi bloccaggio ruote anteriori e posteriori sono troppo serrati
Antenna trasmittente non completamente estratta	Estrarre l'antenna in tutta la sua lunghezza.	Non frena	Il trim del freno non è regolato bene
Perdita del controllo	Nelle vicinanze qualche modello sta usando la stessa frequenza.	Va piano	Il motore ha perso potenza I dadi bloccaggio ruote posteriori sono troppo stretti. C'è sporco o corpi estranei negli ingranaggi.



x4

Assembly • Montageanleitung • Assemblage • Montaje • Montaggio

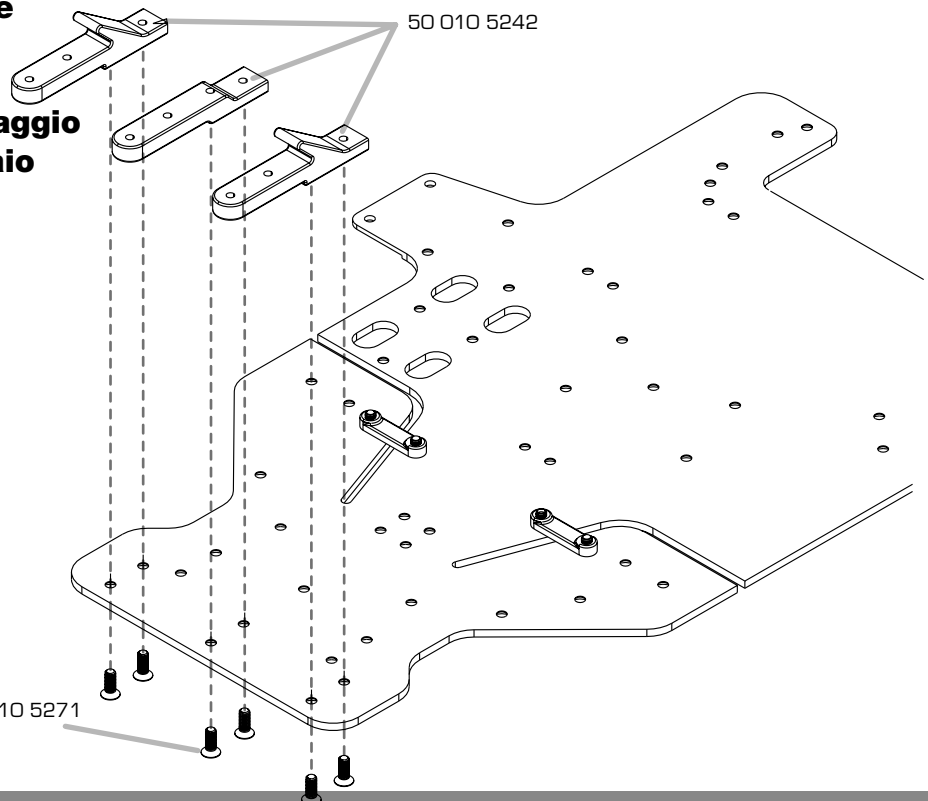
- 1**
Assembling chassis
 • Chassismontage
 • Montage du châssis
 • Montaje del chasis
 • Montaggio del telaio



- 2**
**Assembling chassis • Chassismontage • Montage du châssis •
 Montaje del chasis • Montaggio del telaio**



x6



Montage



Liquid screw lock
 • Schraubensicherungslack
 • Frein filet
 • Liquido fijatornillos
 • Frenafiletta



Grease • Fett
 • Graisse • Grasa
 • Grease



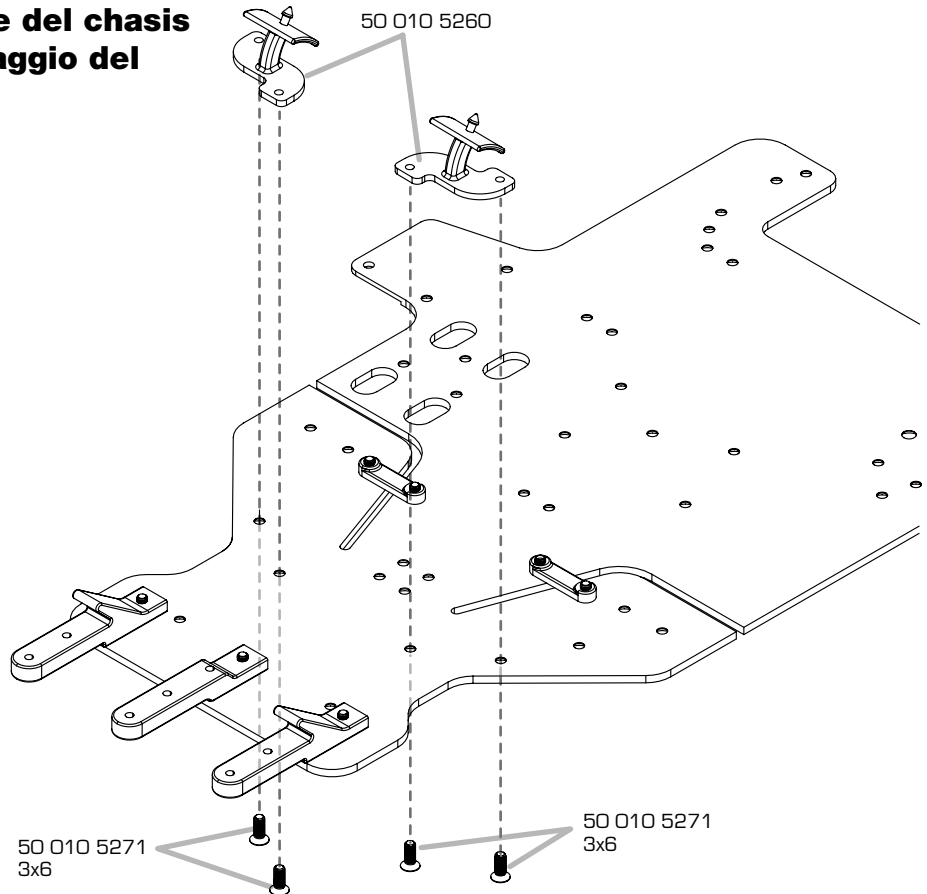
Silicon Oil • Silikonöl
 • Huile silicone
 • Aceite de silicona
 • Silicon Oil



3x6
50 010 5271 x4

3

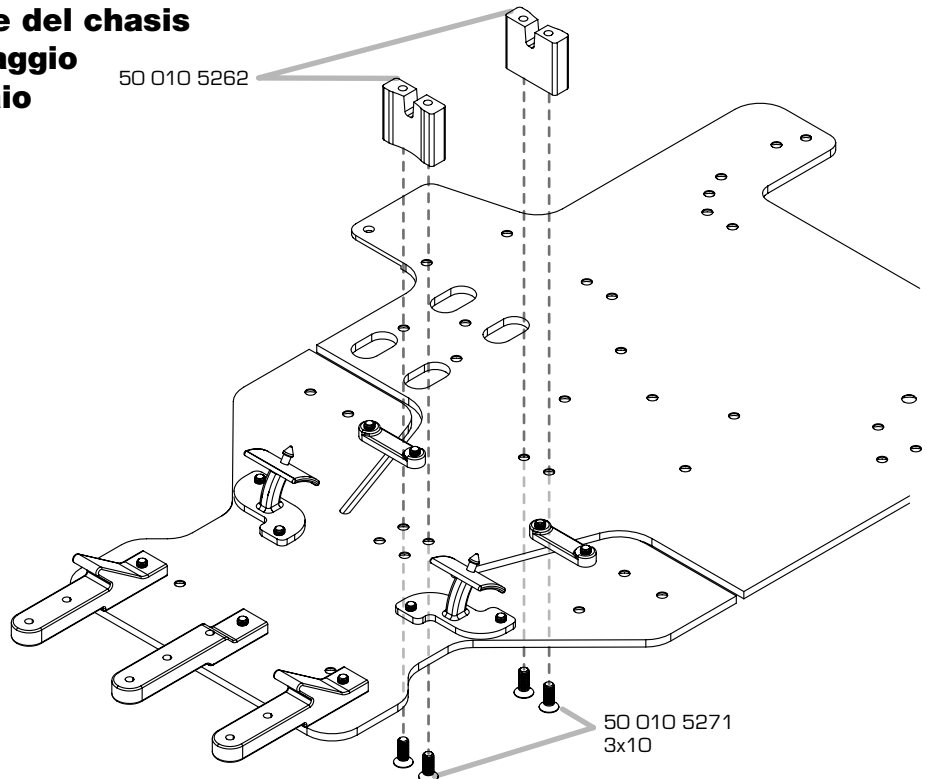
**Assembling chassis • Chassismontage • Montage du châssis •
Montaje del chasis
• Montaggio del telaio**

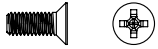


3x10
50 010 5271 x4

4

**Assembling chassis • Chassismontage • Montage du châssis •
Montaje del chasis
• Montaggio del telaio**

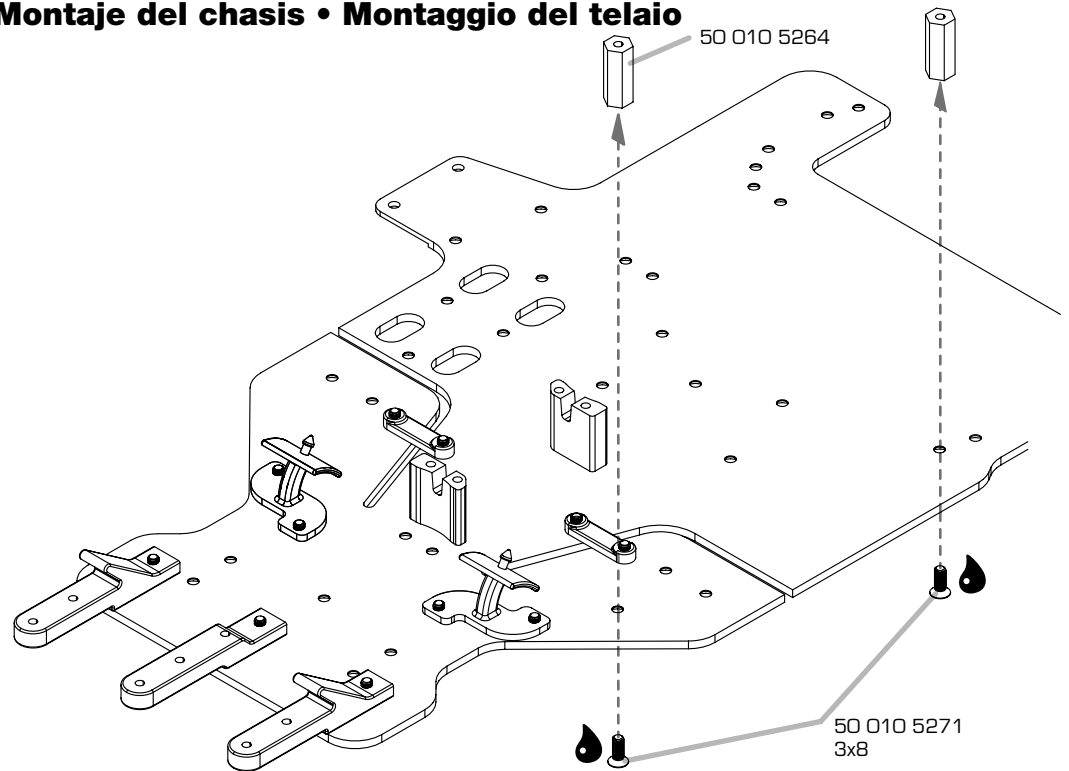




3x8
50 010 5271 x2

5

**Assembling chassis • Chassismontage • Montage du châssis •
Montaje del chasis • Montaggio del telaio**



6

**Assembling chassis • Chassismontage • Montage du châssis
• Montaje del chasis
• Montaggio del telaio**



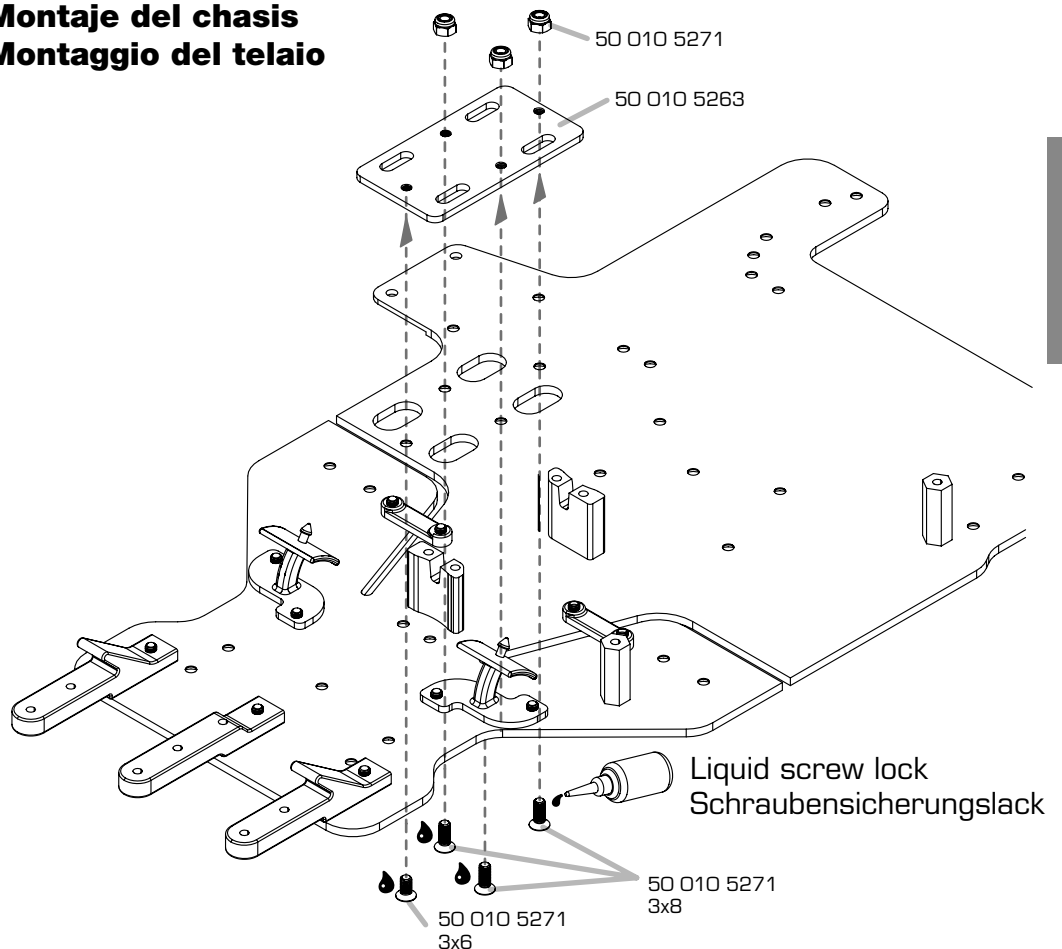
50 010 5271 x3



3x6
50 010 5271 x3



3x6
50 010 5271 x1

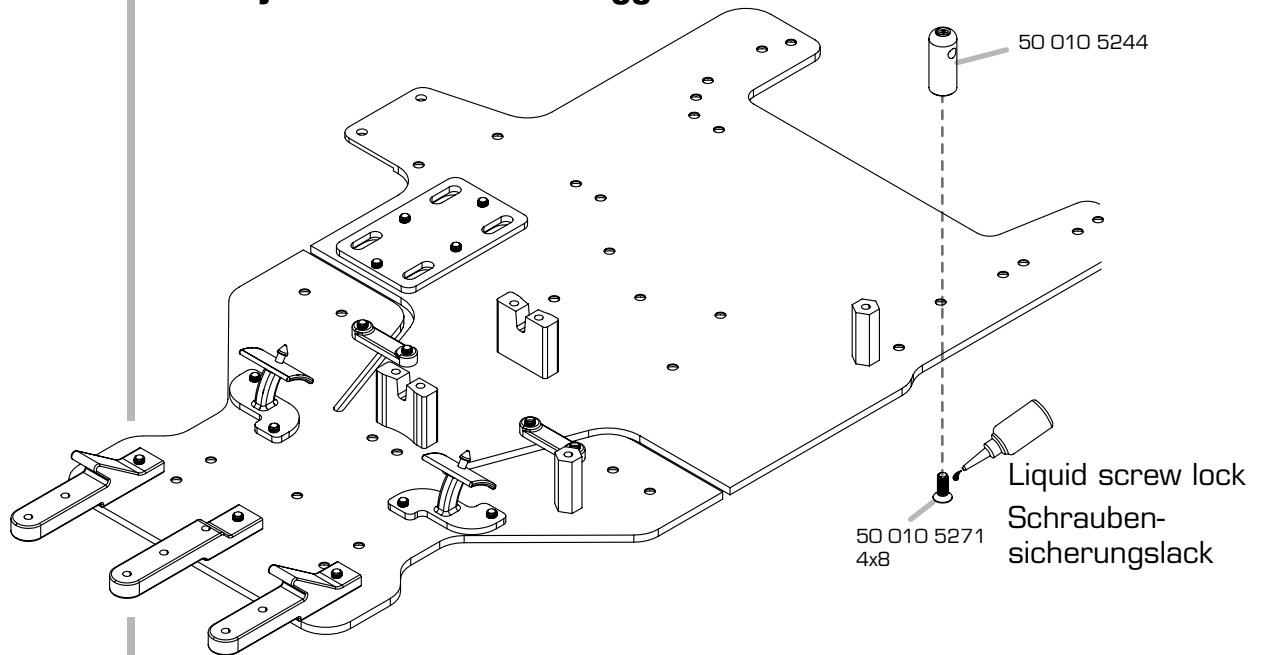




4x8
50 010 5271 x1

7

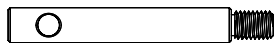
Assembling chassis • Chassismontage • Montage du châssis • Montaje del chasis • Montaggio del telaio



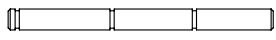
8 Front axle • Vorderachse • Essieu avant • Eje delantero • Assale anteriore

Not needed (Cut it off)
Nicht benötigt, abschneiden

Not needed (Cut it off)
Nicht benötigt, abschneiden



4x8
50 010 5244 x2



50 010 5245 x2



50 010 5245 x4



50 010 5245 x2



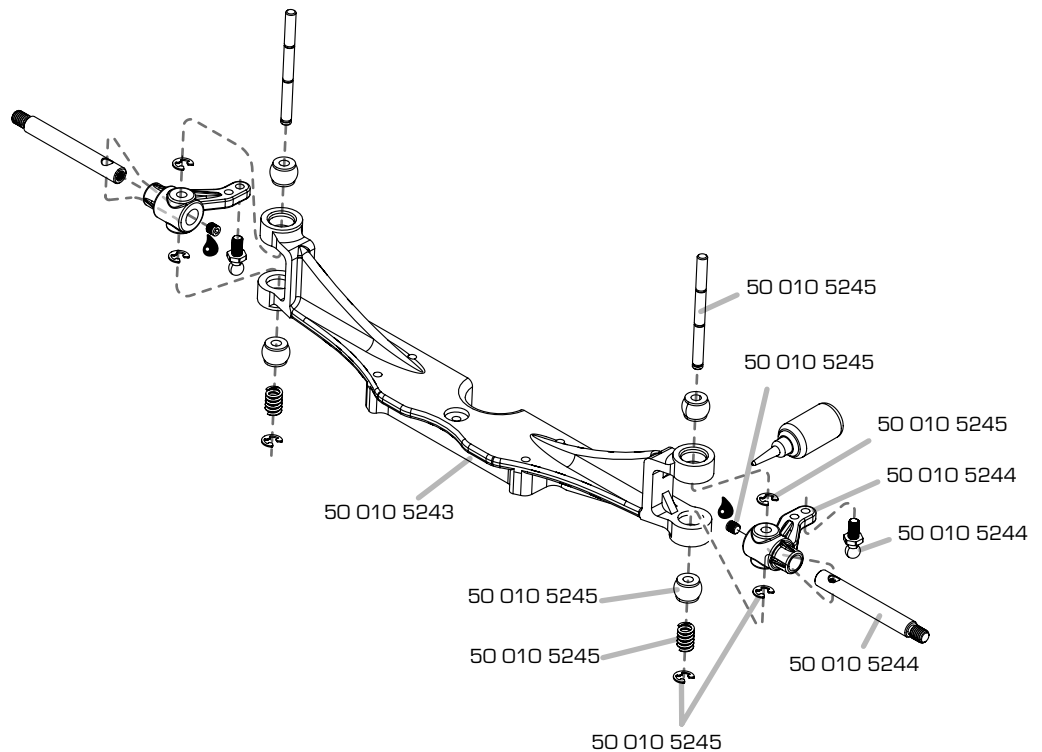
50 010 5245 x6

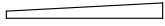


50 010 5244 x2



50 010 5245 x2





(1.0)
50 010 5243 x2



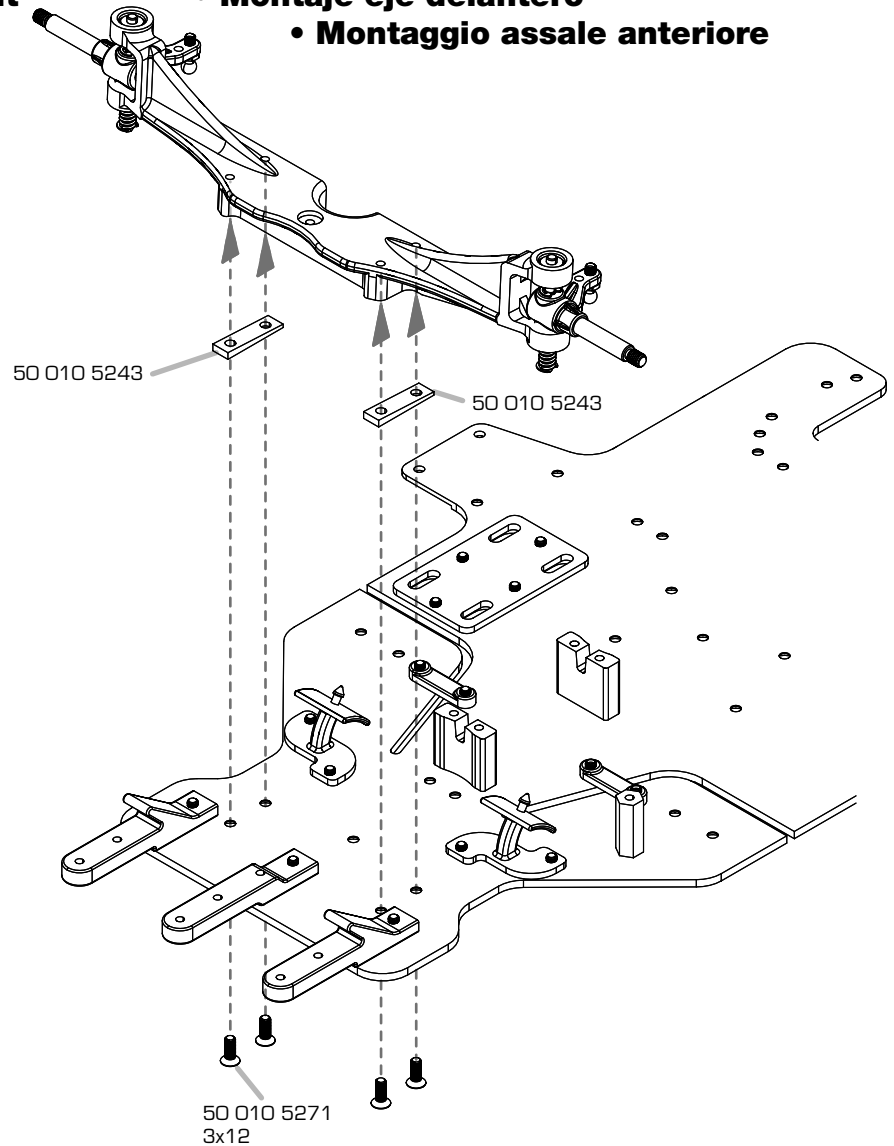
(2.0)
50 010 5243 x2



3x12
50 010 5243 x4

9

Assembly front axle • Montage Vorderachse • Assemblage essieu avant • Montaje eje delantero • Montaggio assale anteriore



3x8
50 010 5271 x3



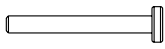
3x10
50 010 5271 x6



3x10
50 010 5271 x1



3x20
50 010 5271 x1



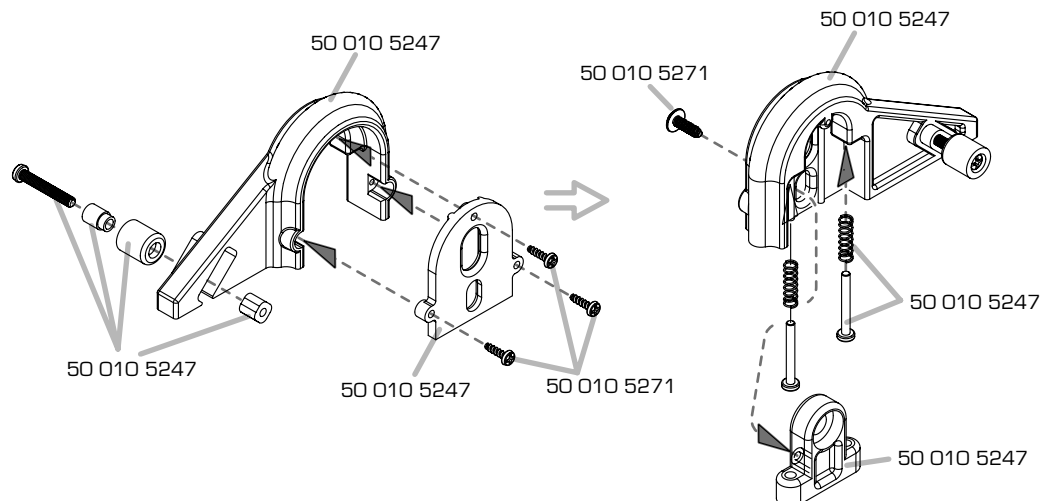
50 010 5247 x2

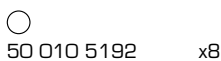
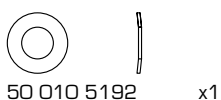
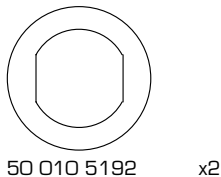
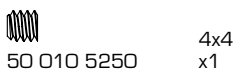
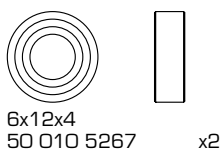
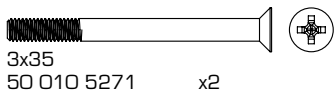
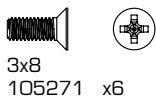


50 010 5247 x2

10

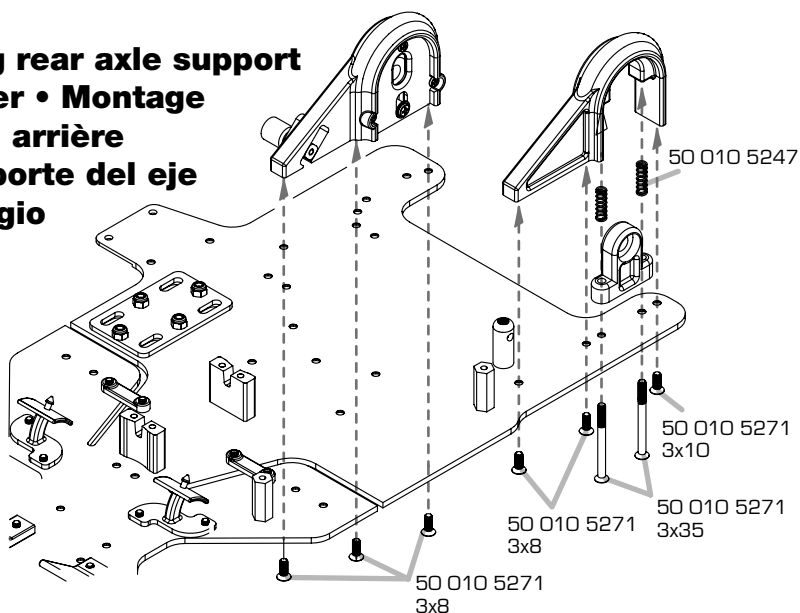
Rear axle support • Hinterachsträger • Traverse d'essieu arrière • Soporte del eje trasero • Supporto asse posteriore





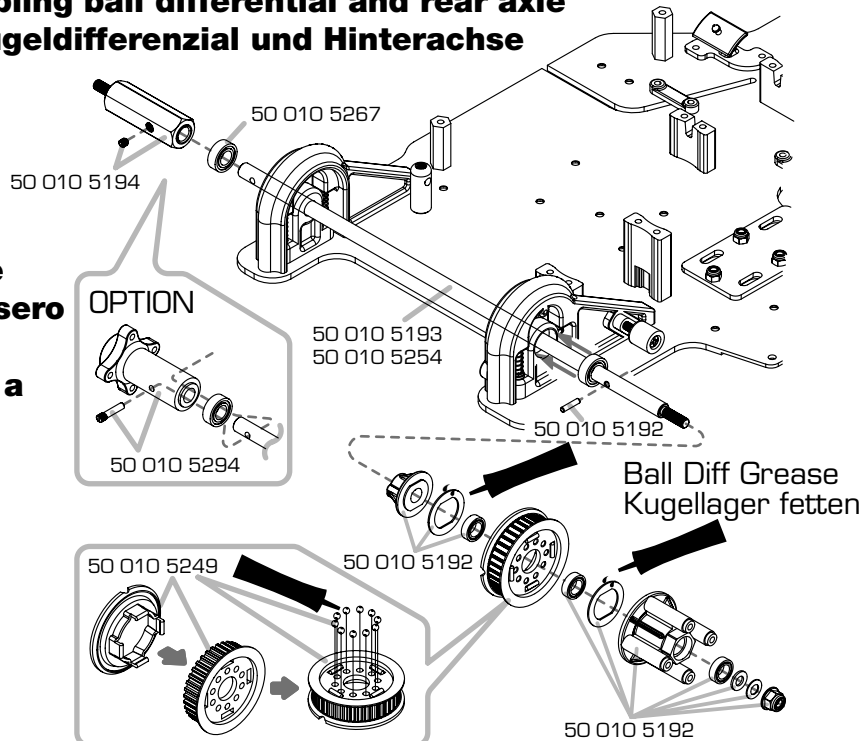
11 Assembling rear axle support

- Hinterachsträger • Montage traverse d'essieu arrière
- Montaje del soporte del eje trasero • Montaggio supporto asse posteriore



12 Assembling ball differential and rear axle

- Montage Kugeldifferenzial und Hinterachse
- Montage différentiel sphérique et essieu arrière
- Montaje de diferencial de bola y eje trasero
- Montaggio differenziale a sfere e asse posteriore



13 Adjust differential • Differenzial justieren • Réglage différentiel

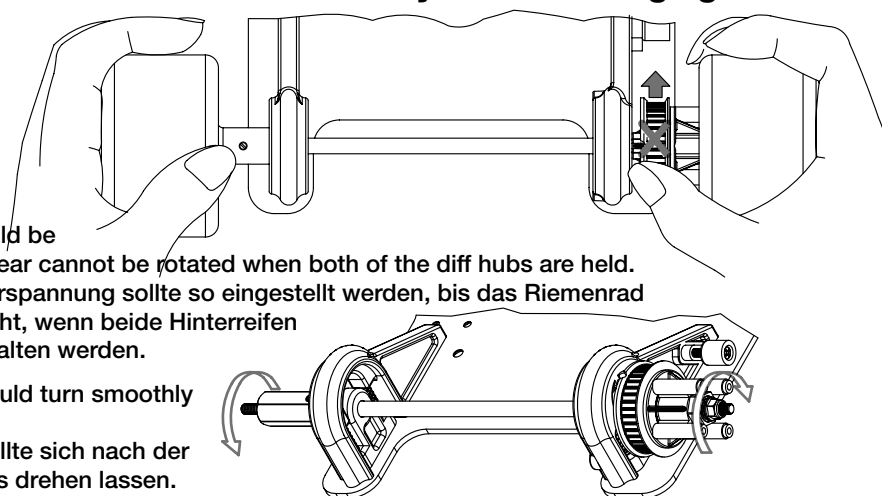
- Ajustar diferencial
- Regolare differenziale

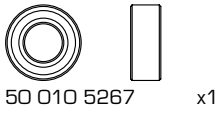
The differential should be tightened until the gear cannot be rotated when both of the diff hubs are held.

- Die Differenzial-Vorspannung sollte so eingestellt werden, bis das Riemenrad nicht mehr durchdreht, wenn beide Hinterreifen (Mitnehmer) festgehalten werden.

The differentials should turn smoothly after assembly.

- Das Differenzial sollte sich nach der Montage reibungslos drehen lassen.

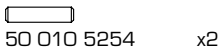




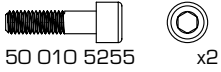
50 010 5267 x1



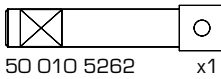
50 010 5254 x1



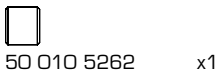
50 010 5254 x2



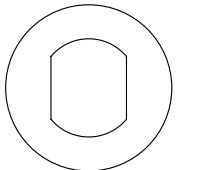
50 010 5255 x2



50 010 5262 x1



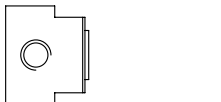
50 010 5262 x1



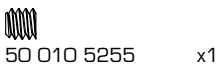
50 010 5255 x1



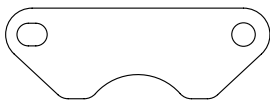
50 010 5254 x1



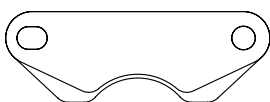
50 010 5255 x1



50 010 5255 x1



50 010 5255 x2



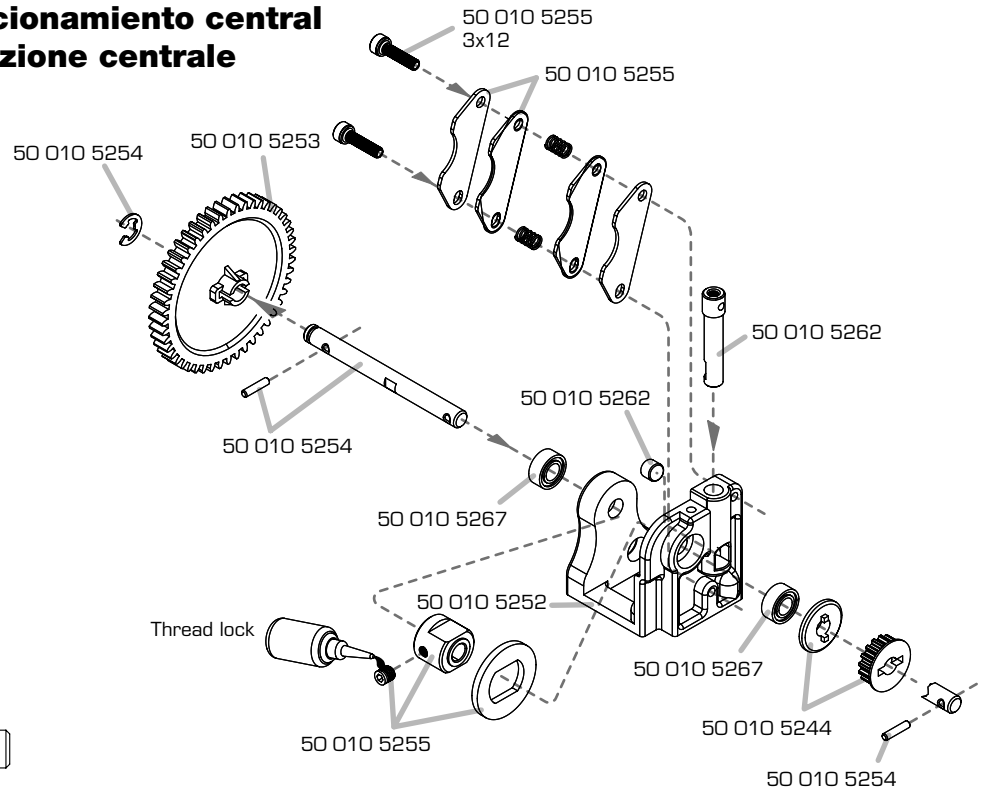
50 010 5255 x2



3x8
50 010 5271 x2

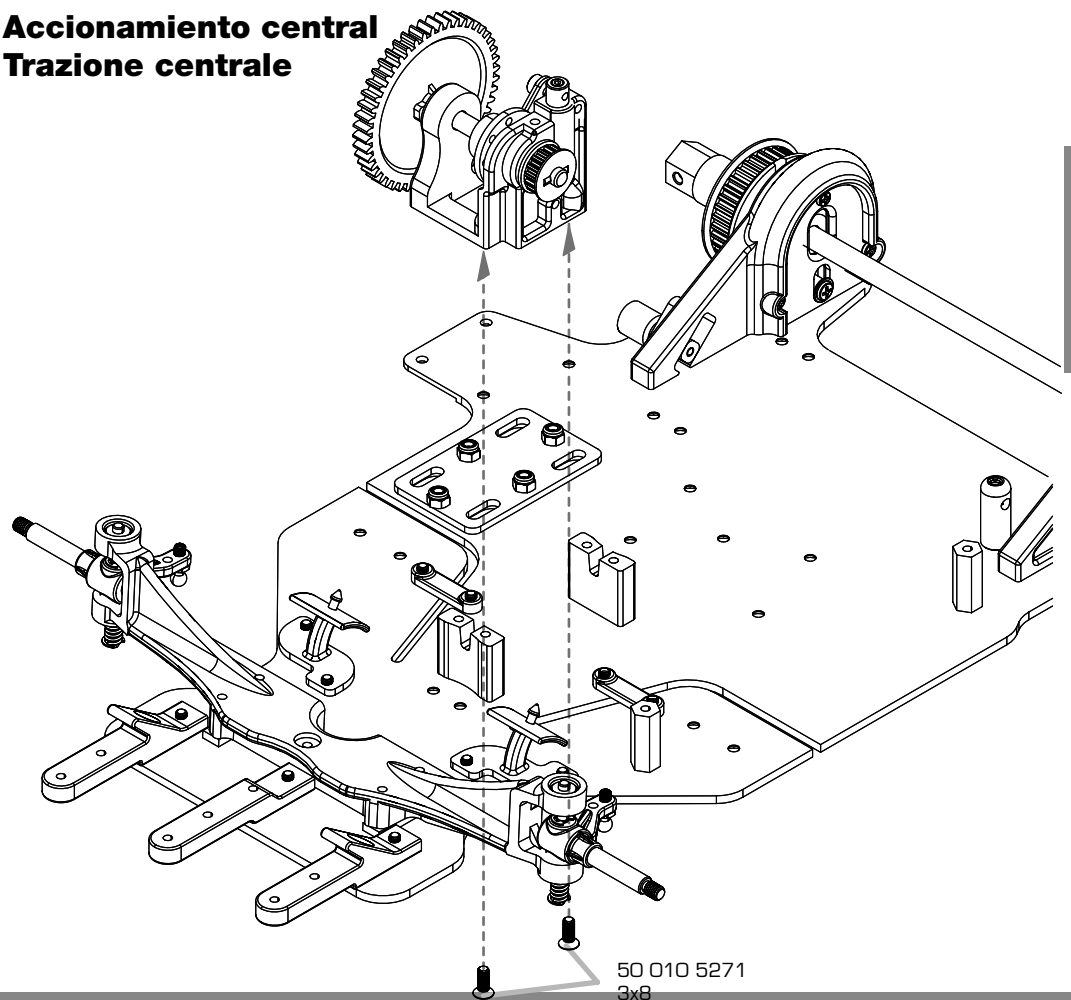
14

Centre drive • Mittelantrieb • Entraînement central
• **Accionamiento central**
• **Trazione centrale**



15

Centre drive • Mittelantrieb • Entraînement central
• **Accionamiento central**
• **Trazione centrale**





16

Assembling steering wheel • Montage Lenkrad • Montage volant • Montaje del volante • Montaggio sterzo

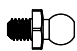
 3x8
50 010 5271 x3

 3x8
50 010 5271 x1

 3x10
50 010 5271 x1

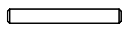
 5x8x2.5
50 010 5267 x2

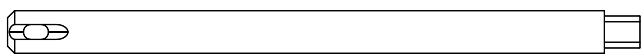
 50 010 5261 x1

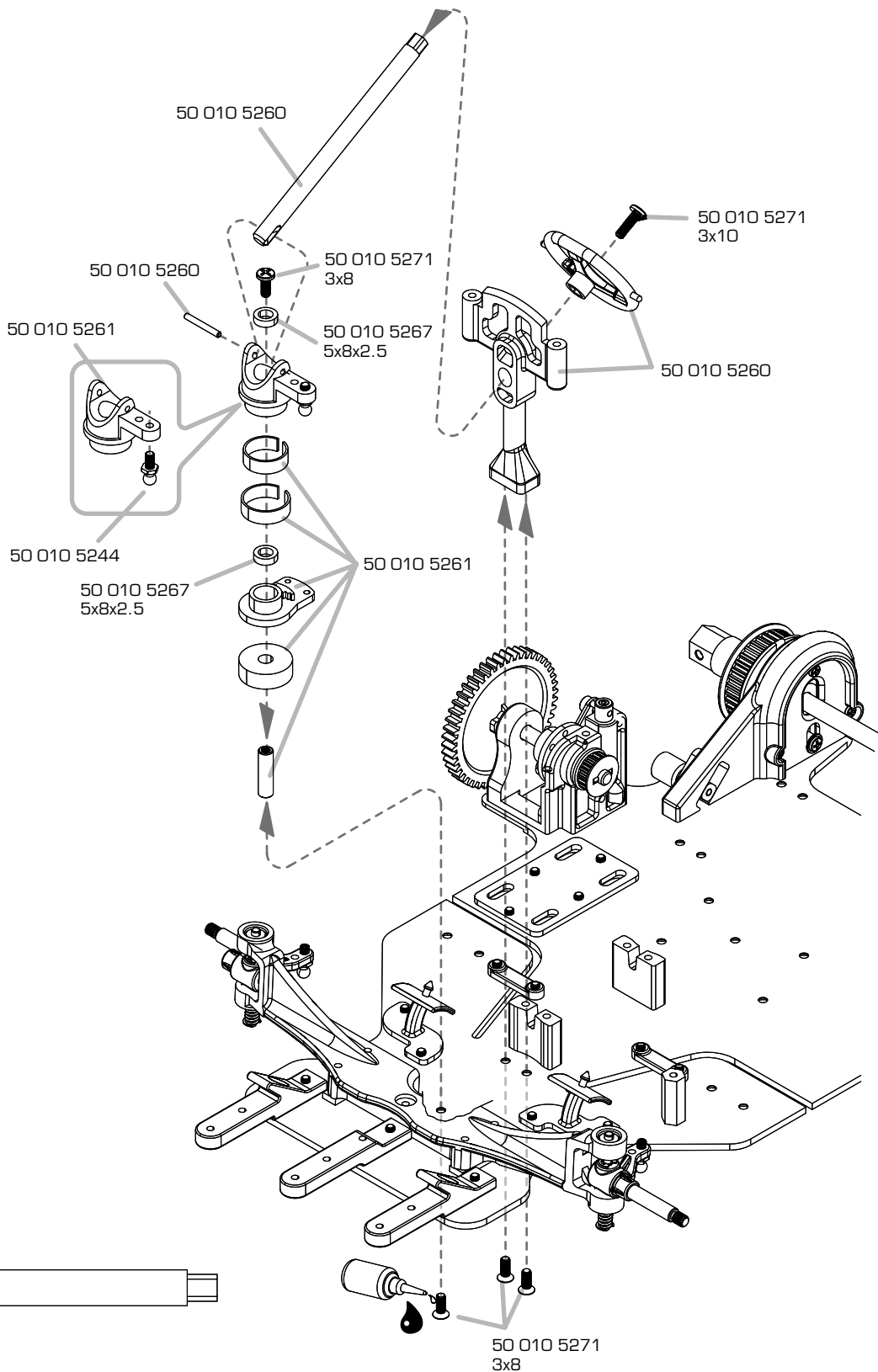
 50 010 5244 x1

 50 010 5261 x1

 50 010 5261 x1

 50 010 5260 x1

 50 010 5260 x1





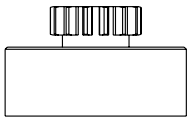
50 010 5257 x1



5x10x4
50 010 5267 x2



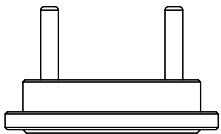
50 010 5262 x2



50 010 5259 x1



50 010 5258 x2



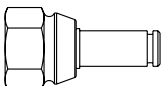
50 010 5257 x1



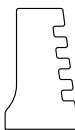
50 010 5258 x2



50 010 5257 x1



50 010 5257 x1



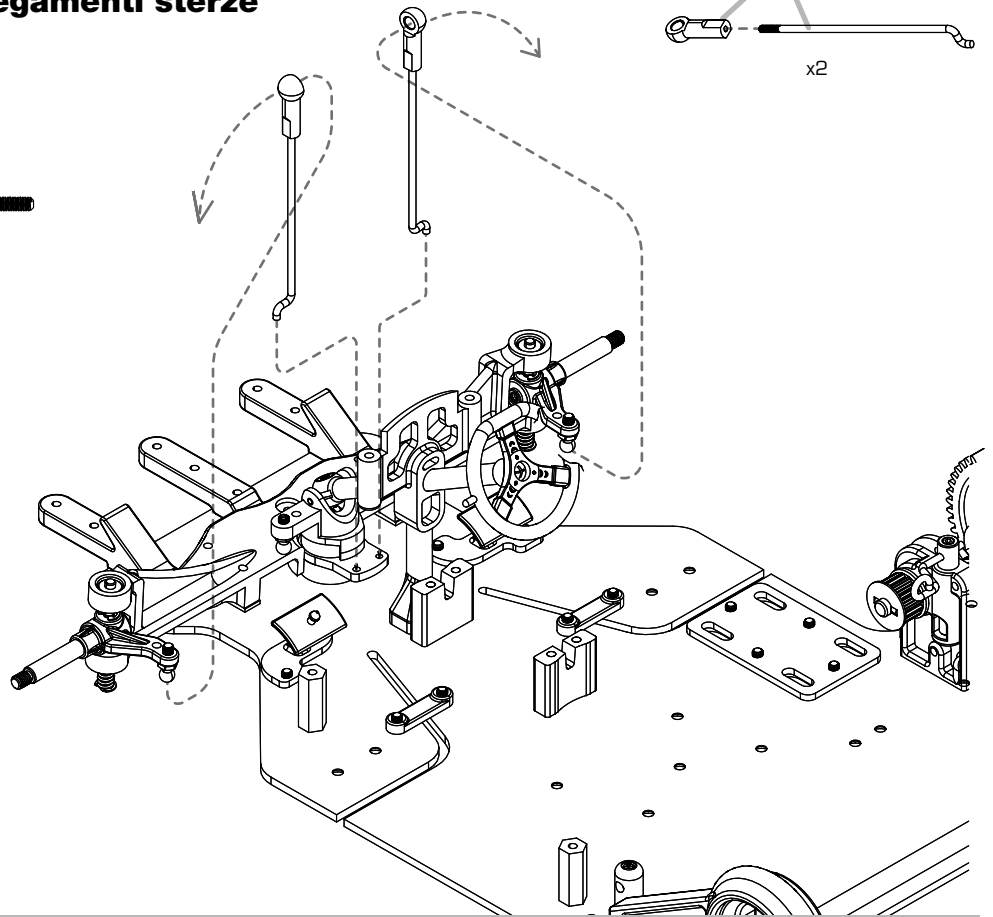
50 010 5256 x2



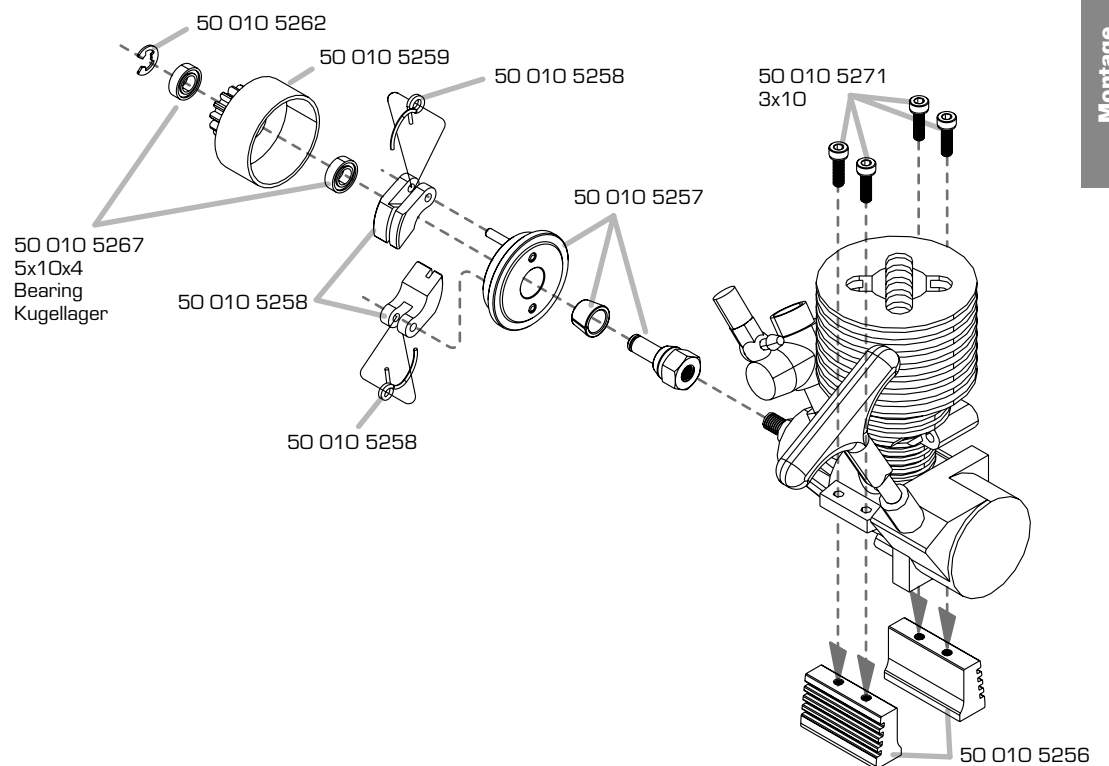
3x10
50 010 5271 x4

17

Steering linkage • Lenkgestänge • Barre de direction • Varillaje de dirección • Collegamenti sterze



18 Engine • Motor • Moteur • Motor • Motore

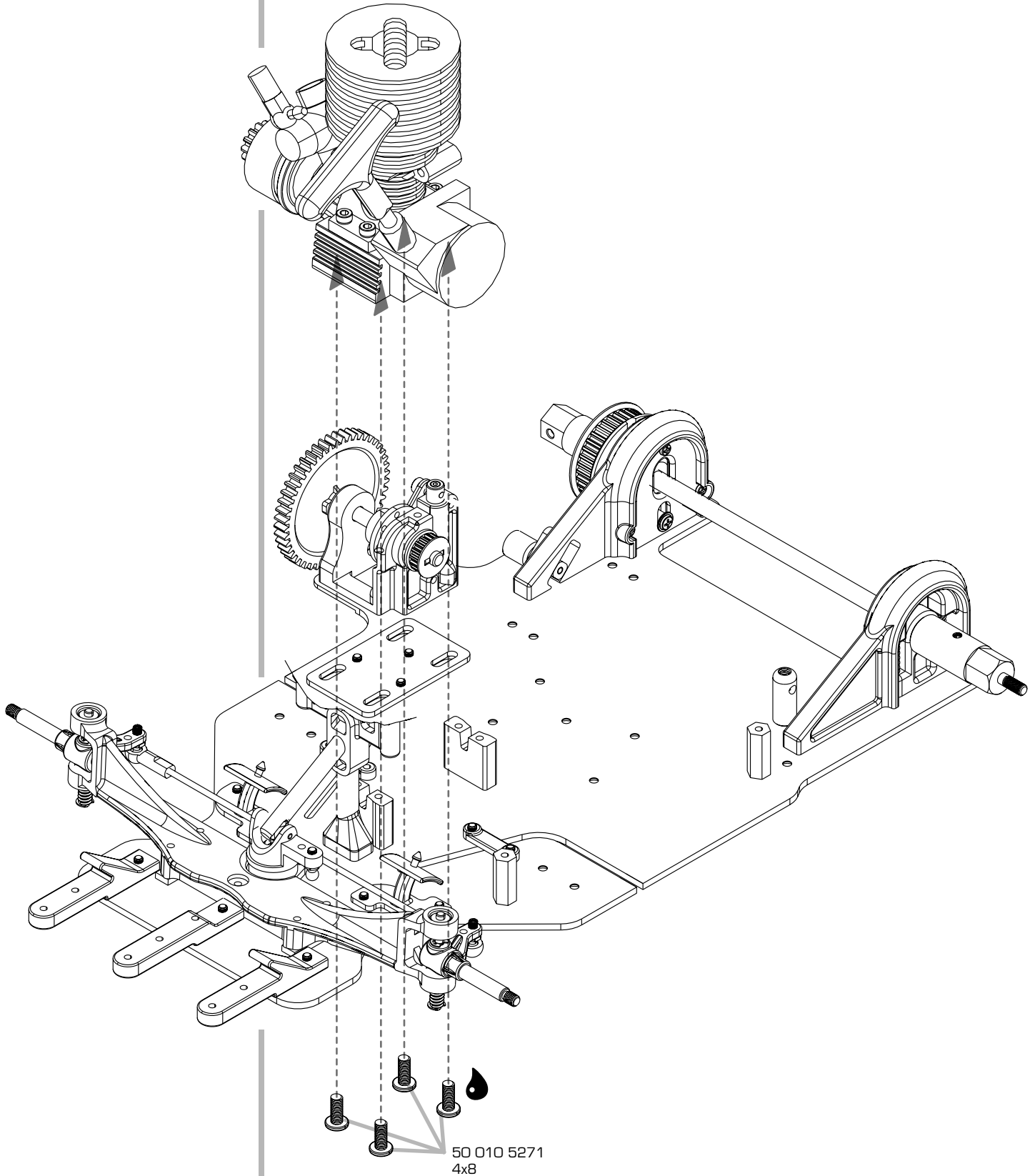


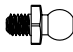


4x8
50 010 5271 x4

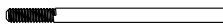
19


**Assembly engine • Montage Motor • Assemblage moteur
• Montaje motor • Montaggio motore**



 50 010 5244 x1

  3x10
50 010 5271 x8

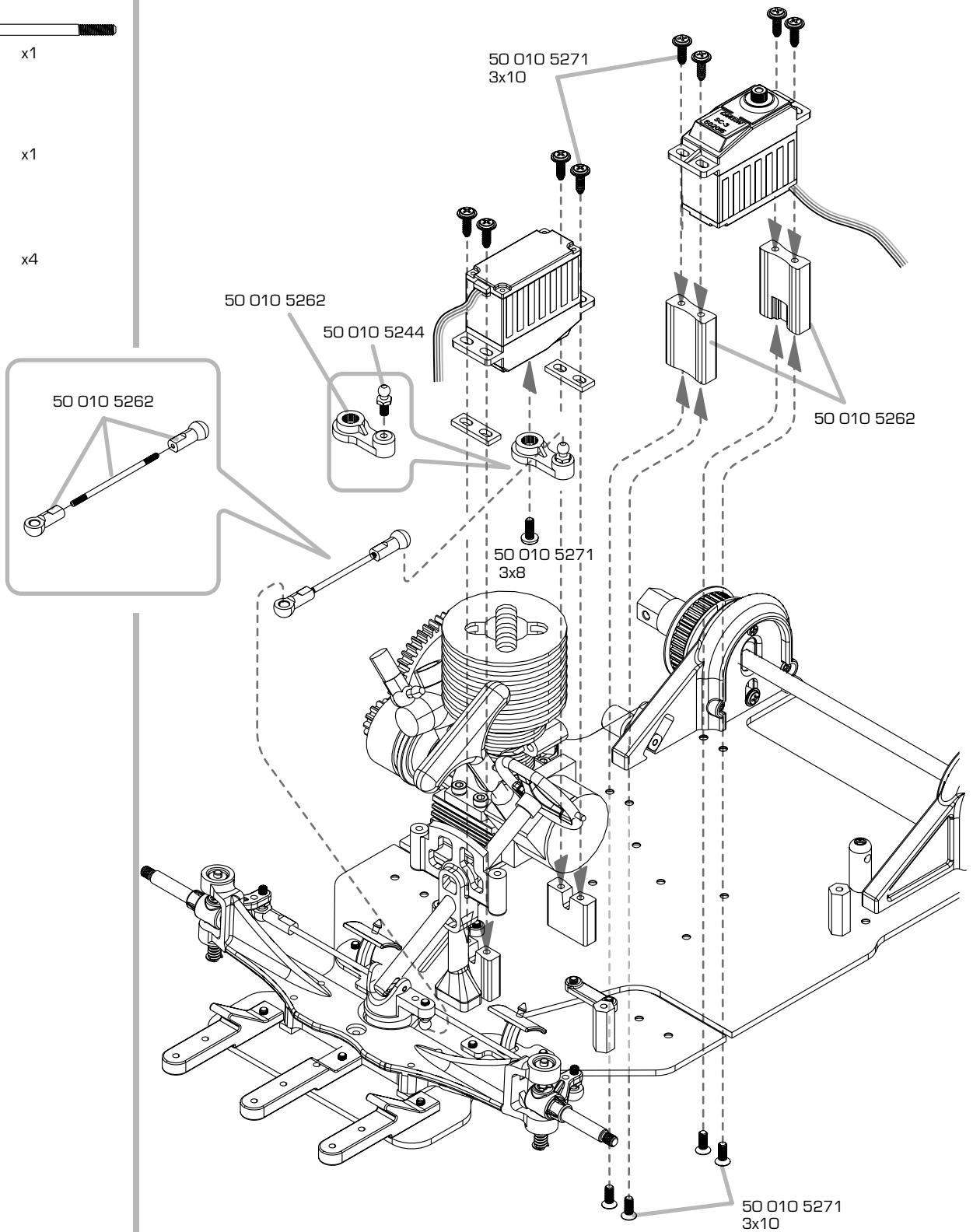
 50 010 5262 x1

  3x8
50 010 5271 x1

  3x10
50 010 5271 x4

20

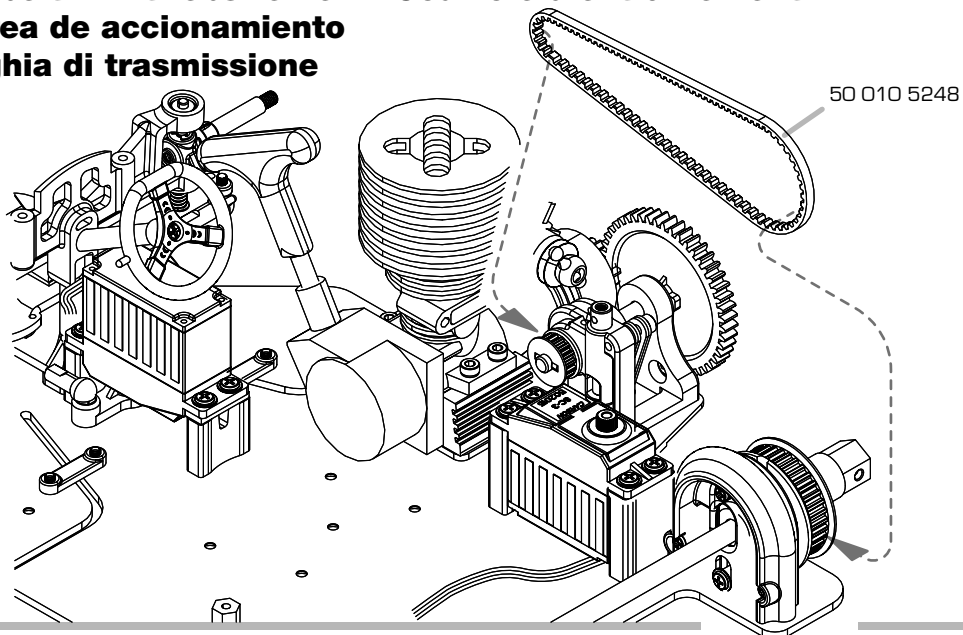
Servo assembling • Montage Servos • Montage servos • Montaje de los servos • Montaggio servocomandi



Montage

21

**Drive belt • Antriebsriemen • Courroie d'entraînement
• Correa de accionamiento
• Cinghia di trasmissione**



3x8
50 010 5271 x1



2x10
50 010 5271 x1



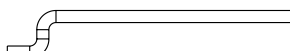
50 010 5262 x4



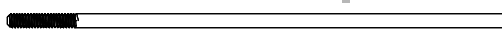
50 010 5262 x3



50 010 5262 x1



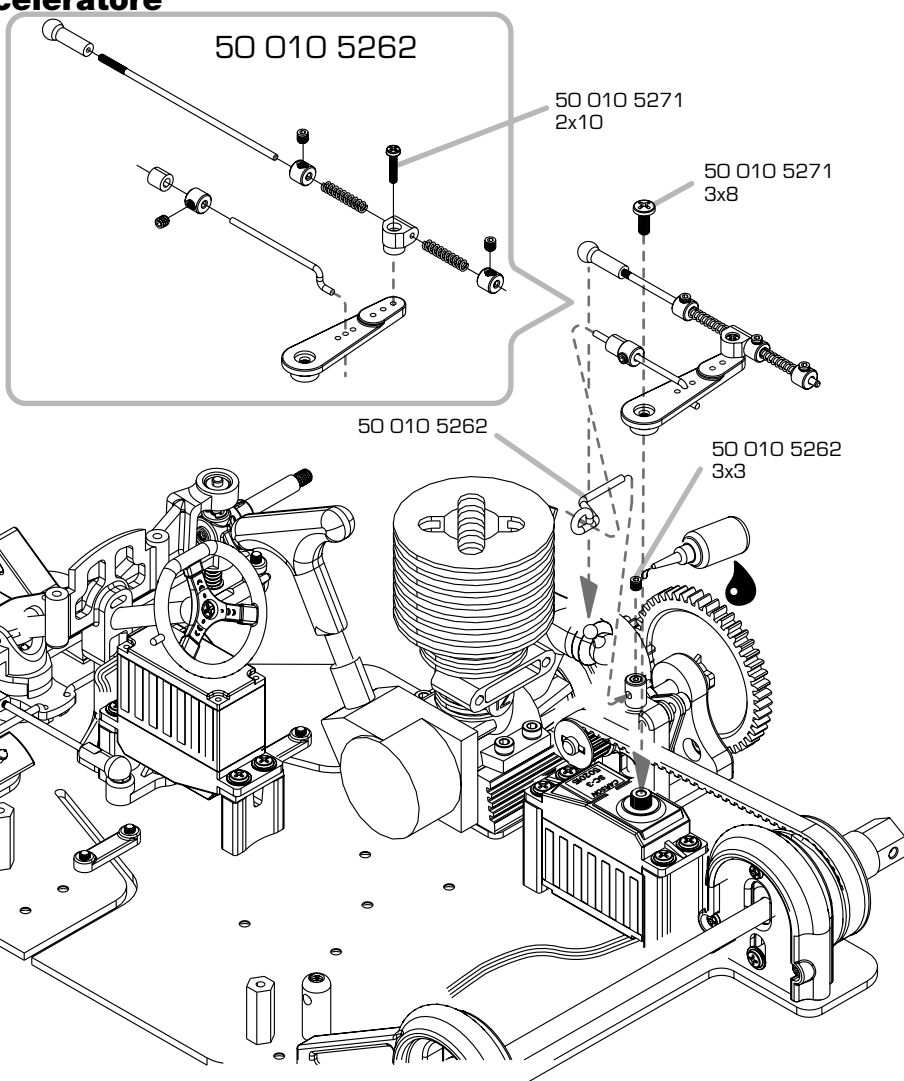
50 010 5262 x1



50 010 5262 x1

22

**Throttle + brake linkage • Gas- + Bremsgestänge • Barre de gaz
et de freinage • Virallaje de acelerador + freno • Collegamenti
freno + acceleratore**



50 010 5262

50 010 5271
2x10

50 010 5271
3x8

50 010 5262

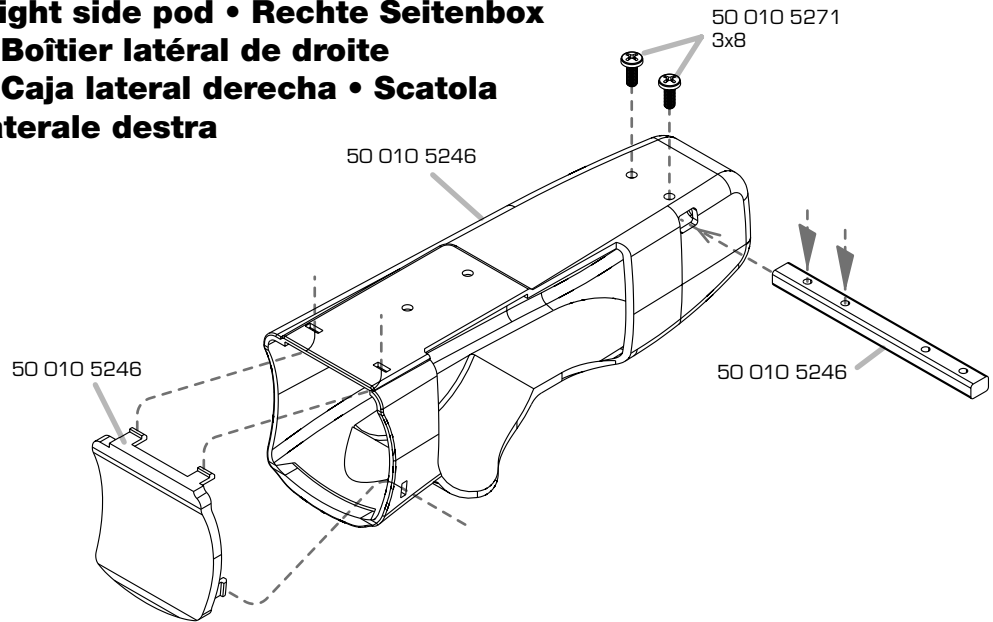
50 010 5262
3x3

3x8
50 010 5271

x2

23

Right side pod • Rechte Seitenbox
• Boîtier latéral de droite
• Caja lateral derecha • Scatola
laterale destra

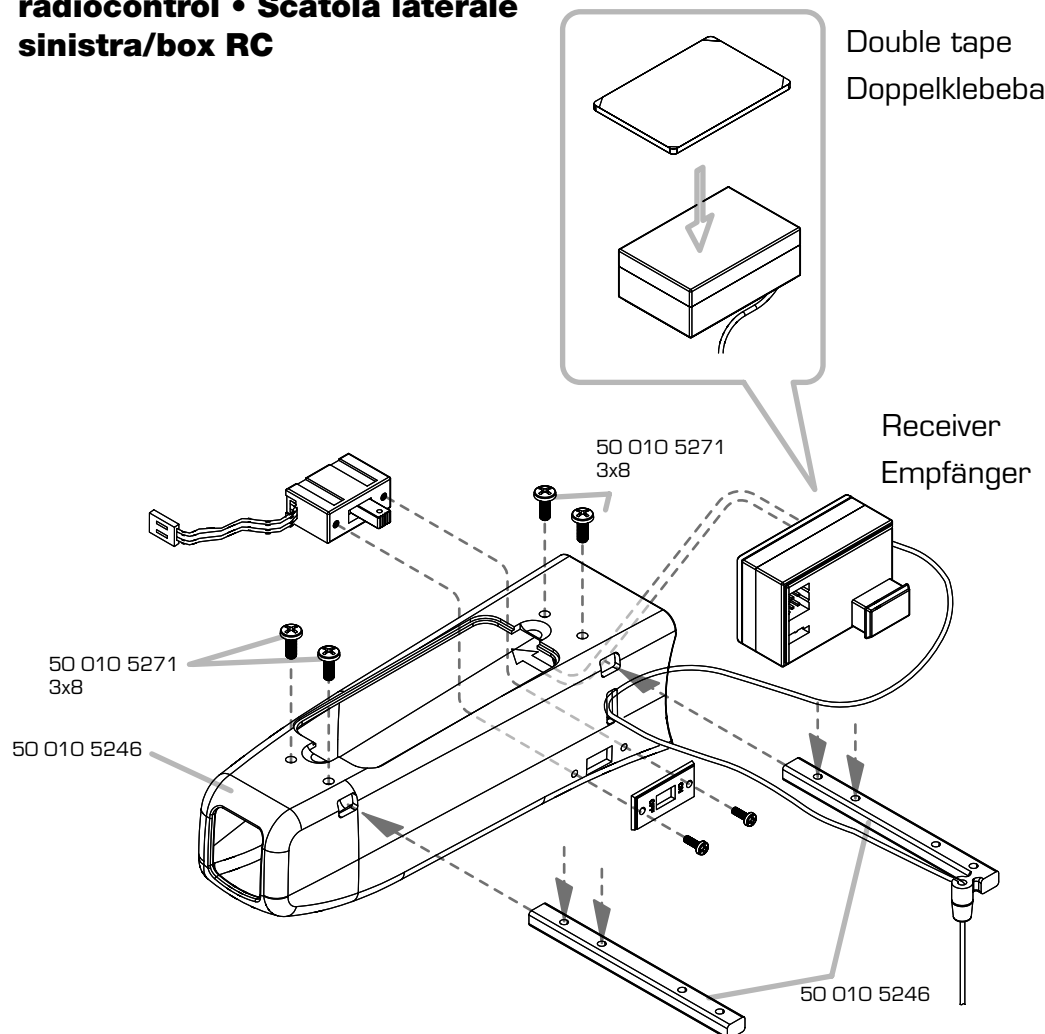


24

Left side pod / RC pod • Linke Seitenbox/RC-Box • Boîtier latéral
de gauche/boîtier RC • Caja lateral izquierda/caja de
radiocontrol • Scatola laterale
sinistra/box RC

3x8
50 010 5271

x4





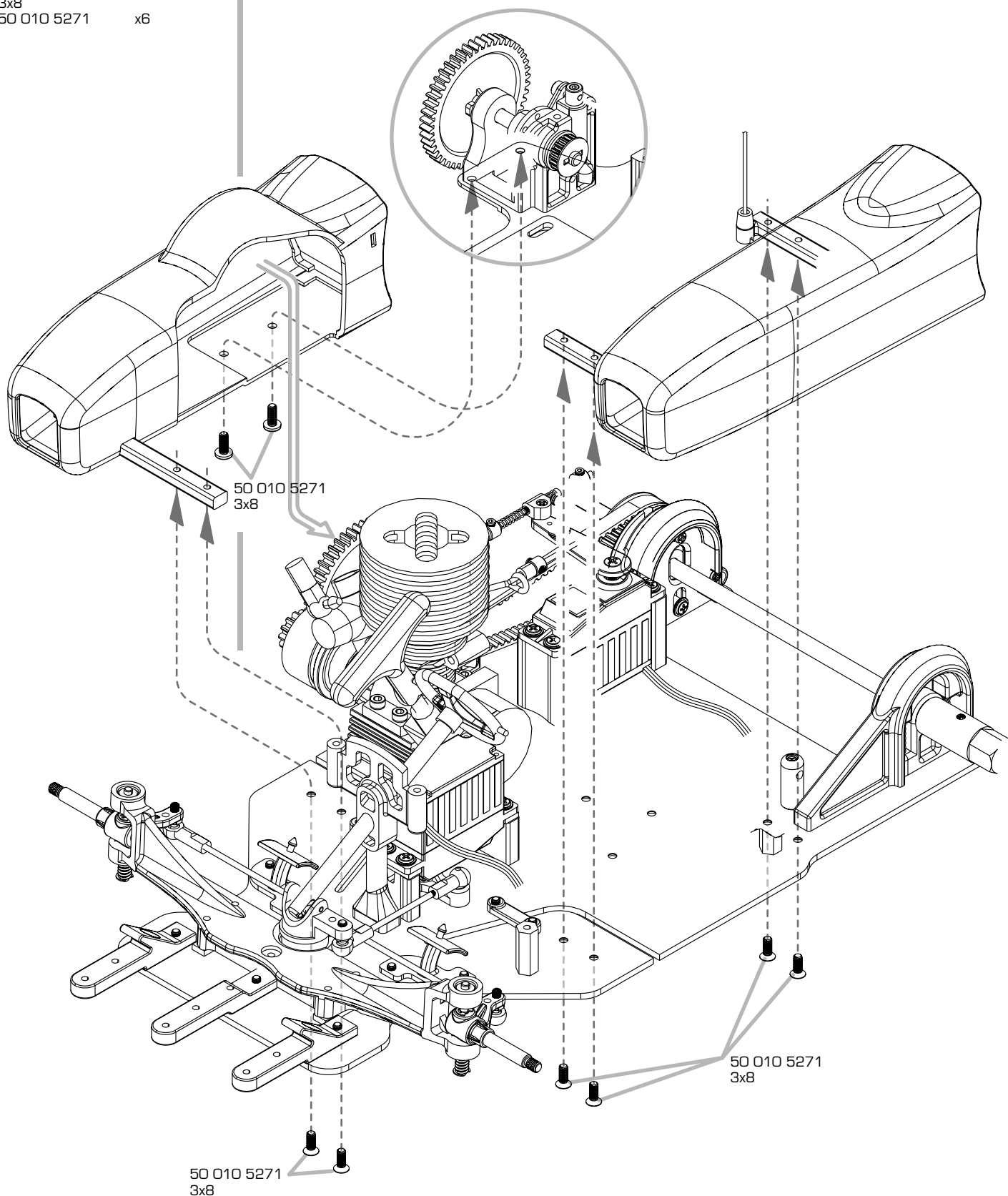
3x8
50 010 5271 x2



3x8
50 010 5271 x6

25

Assembling side parts • Montage Seitenteile • Montage pièces latérales • Montaje de las piezas laterales • Montaggio componenti laterali

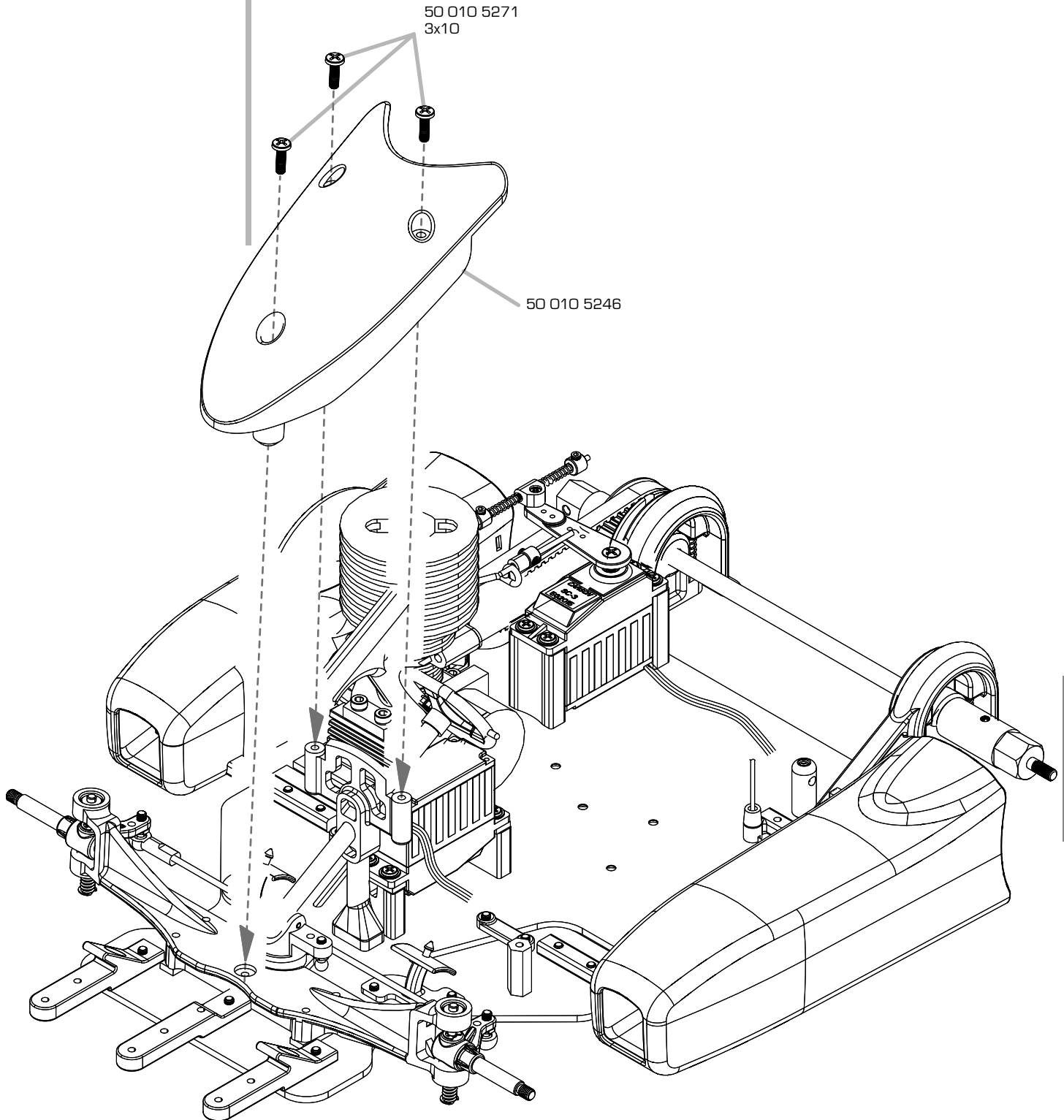




3x10
50 010 5271 x3

26

Assembling front panel • Montage Frontverkleidung
• Montage habillage avant • Montaje del revestimiento frontal
• Montaggio rivestimento frontale

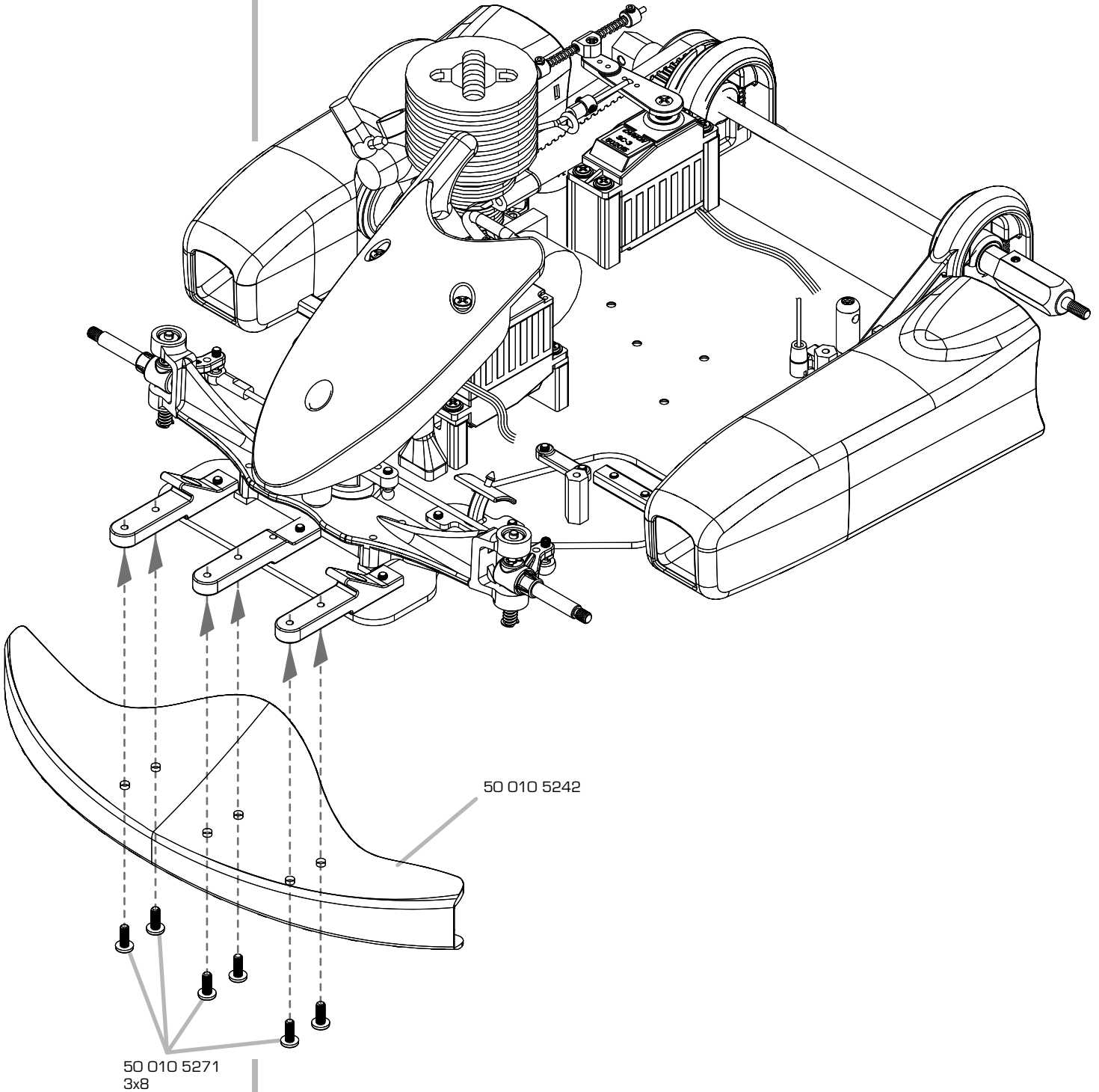


3x8
50 010 5271

x6

27

- Assembling frontrammer • Montage Frontrammer
- Montage pare-chocs avant • Montaje del panel frontal
- Montaggio paraurti frontale





x2

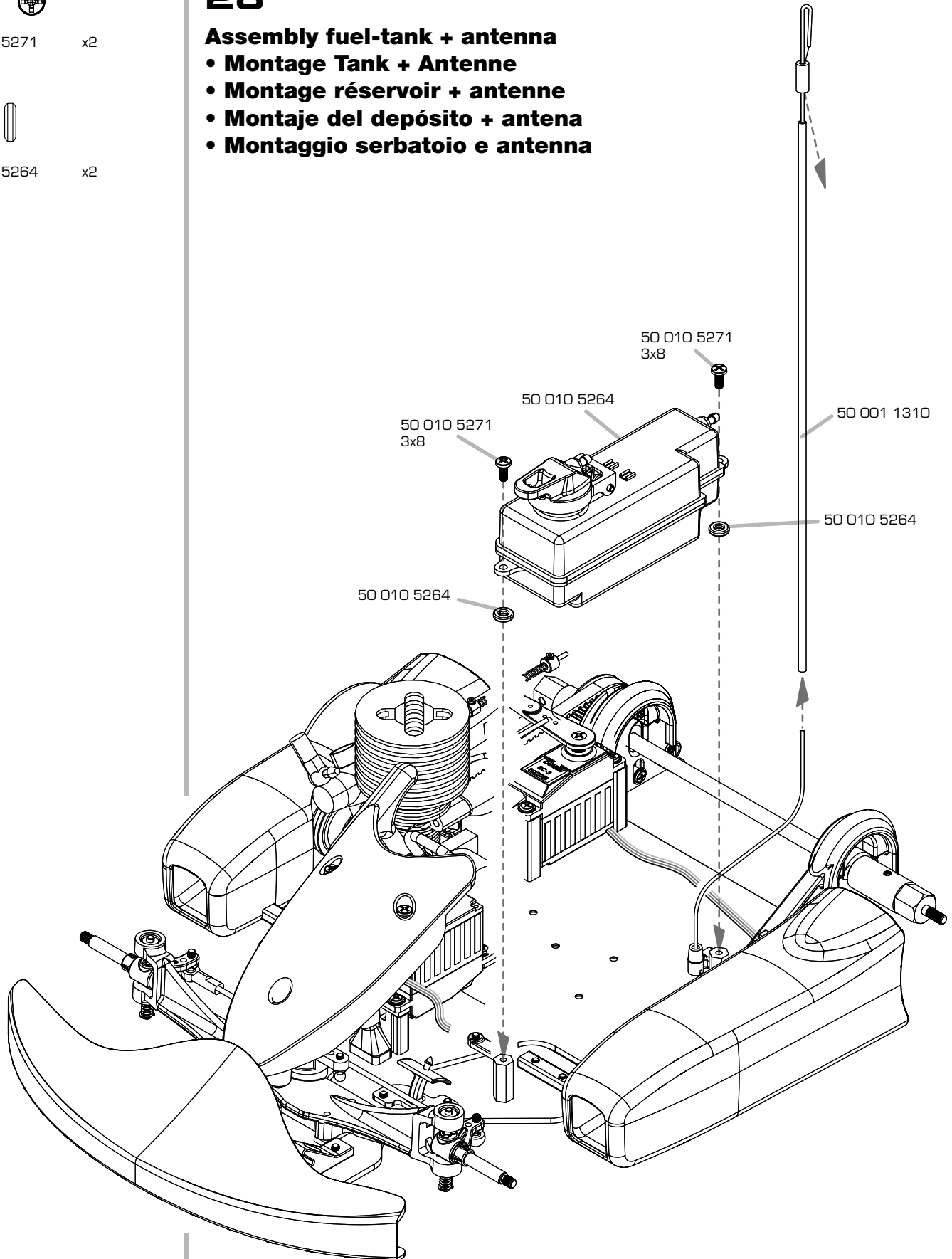


x2

28

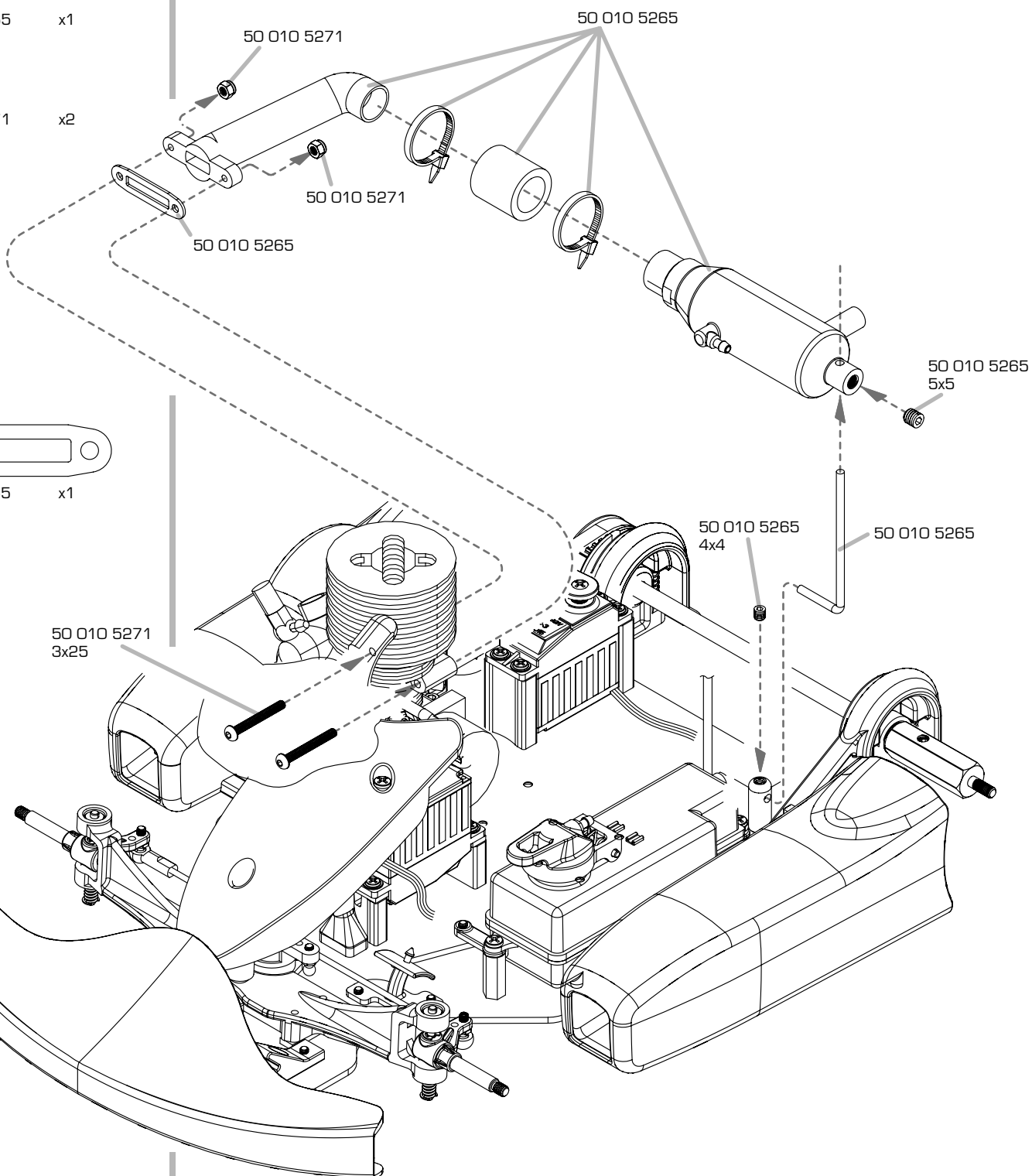
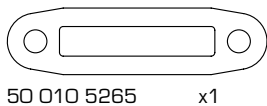
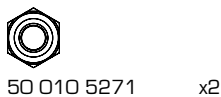
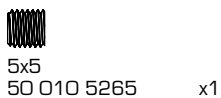
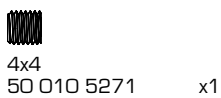
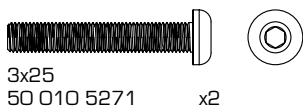
Assembly fuel-tank + antenna

- Montage Tank + Antenne
- Montage réservoir + antenne
- Montaje del depósito + antena
- Montaggio serbatoio e antenna



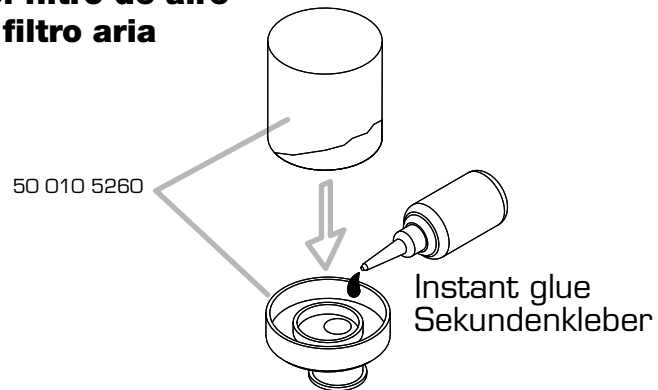
29

Assembly muffler • Montage Auspuff • Montage échappement • Montaje del escape • Montaggio tubo di scarico



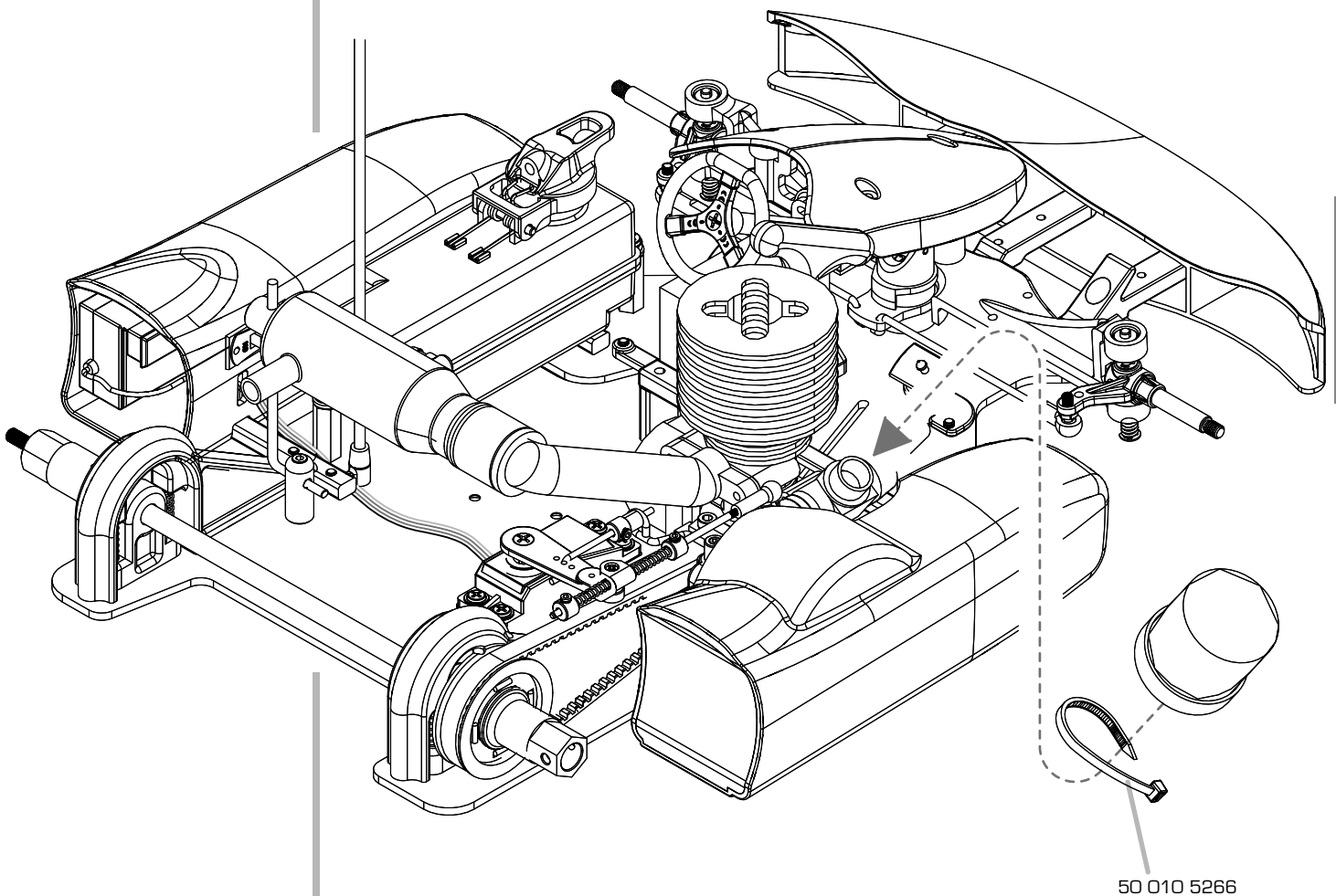
30

**Assembling air filter • Montage Luftfilter • Montage filtre à air
• Montaje del filtro de aire
• Montaggio filtro aria**



31

**Assembling air filter • Montage Luftfilter • Montage filtre à air
• Montaje del filtro de aire • Montaggio filtro aria**





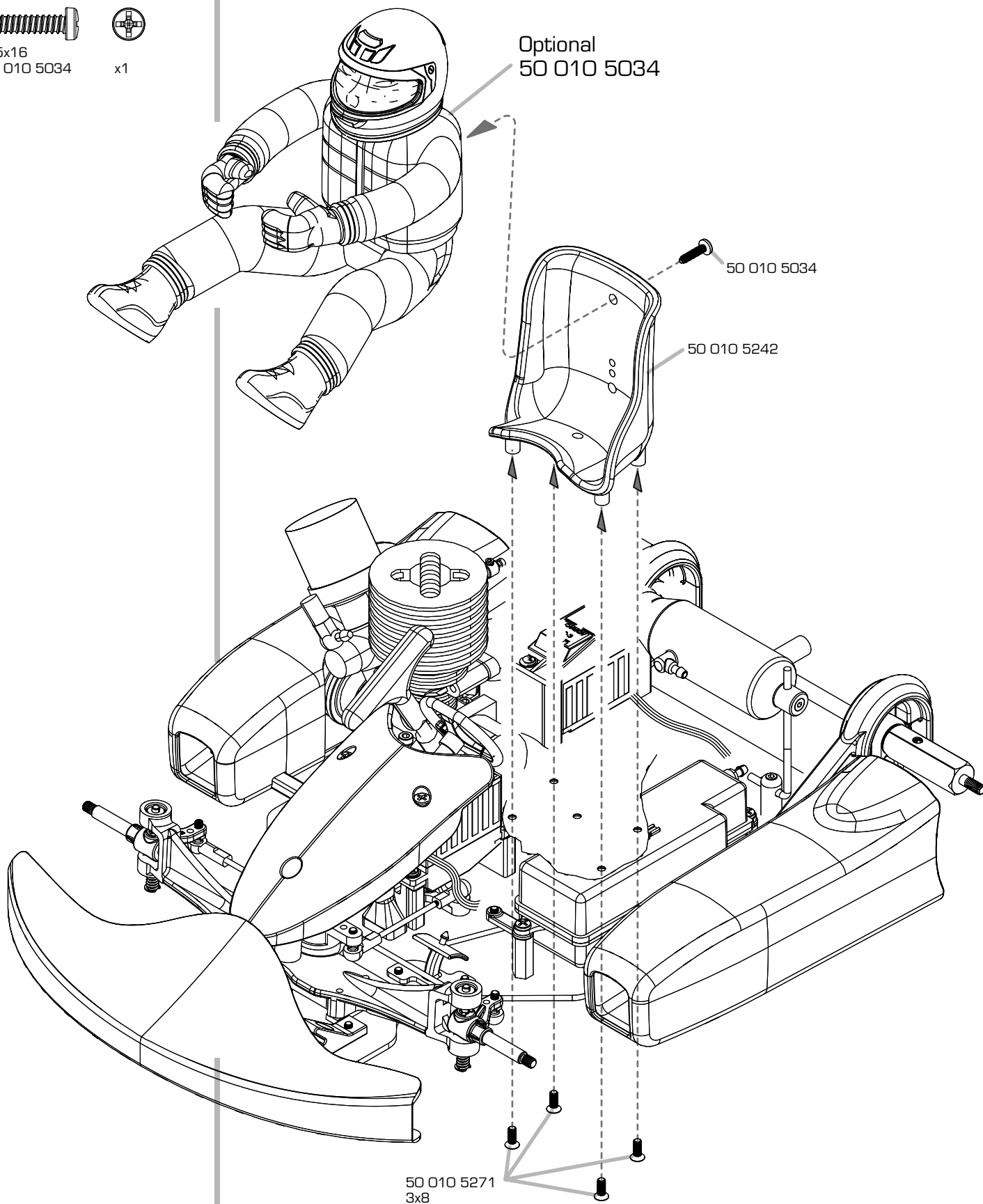
3x8
50 010 5271 x4



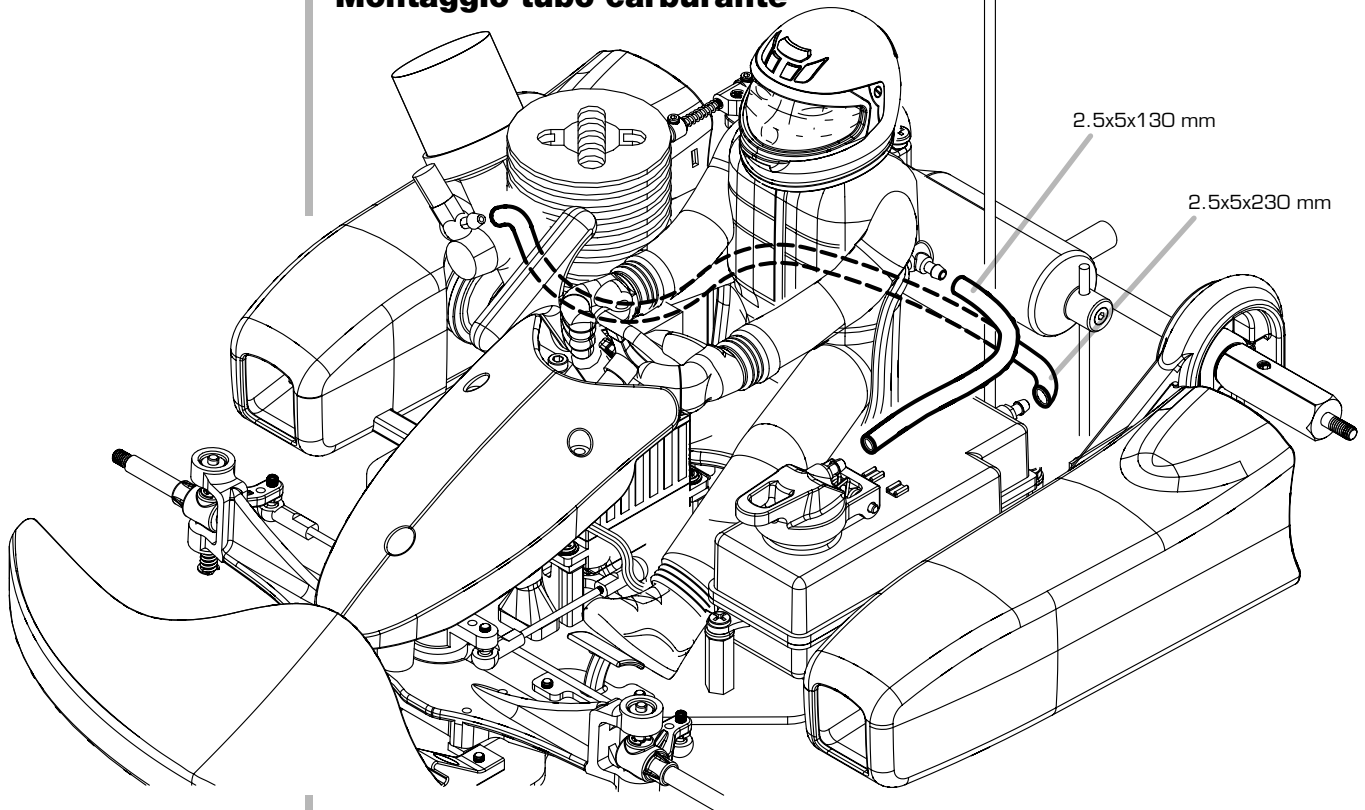
3.5x16
50 010 5034 x1

32

Assembling driver's seat • Montage Fahrersitz • Montage siège conducteur • Montaje del asiento del conductor • Montaggio sedile pilota

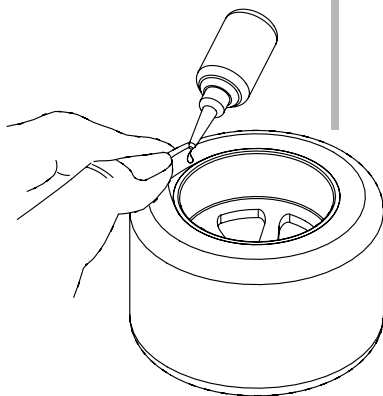


33 Assembly fuelpipe • Montage Spritschlauch • Montage tuyau à essence • Montaje de la manguera de combustible • Montaggio tubo carburante



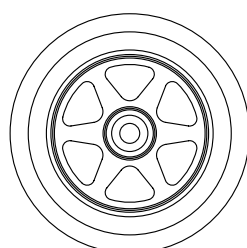
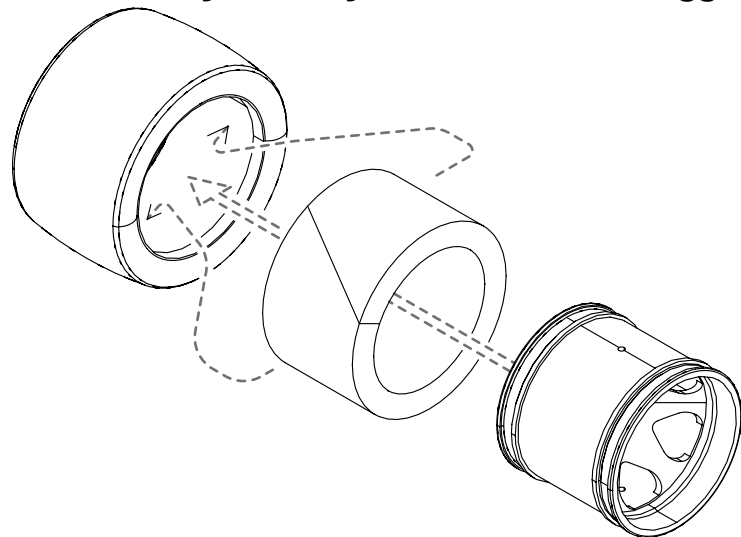
34 Assembling wheel hubs • Montage Radnaben • Montage moyeux de roues • Montaje del buje de rueda • Montaggio mozzi ruota

Instant glue
Sekundenkleber

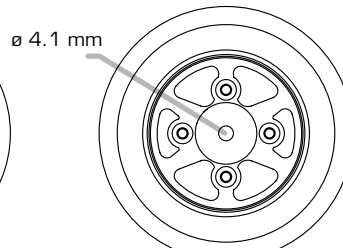


Apply instant glue little by little.

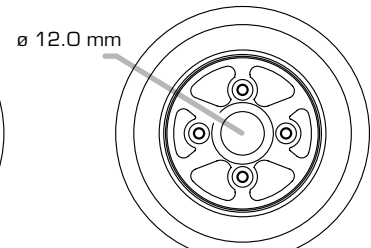
Sekundenklebertröpfchenweise benutzen.



50 010 5268
Front x2



50 010 5269 or/oder 50 040 5108
Rear left x1
Hinten links x1



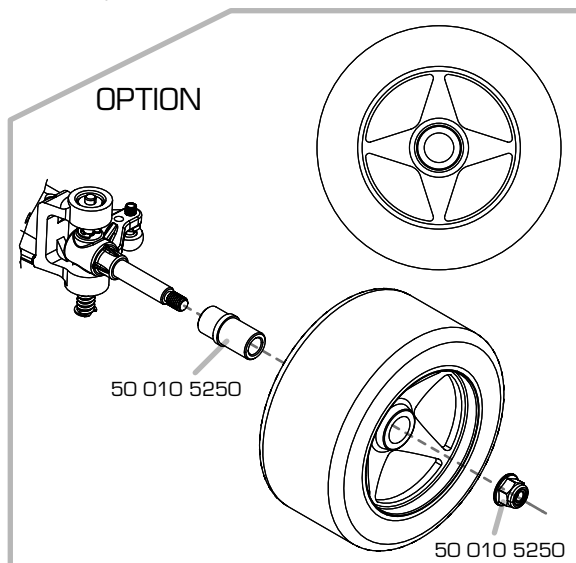
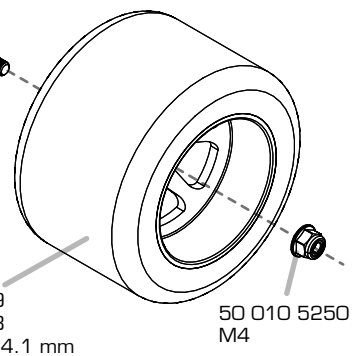
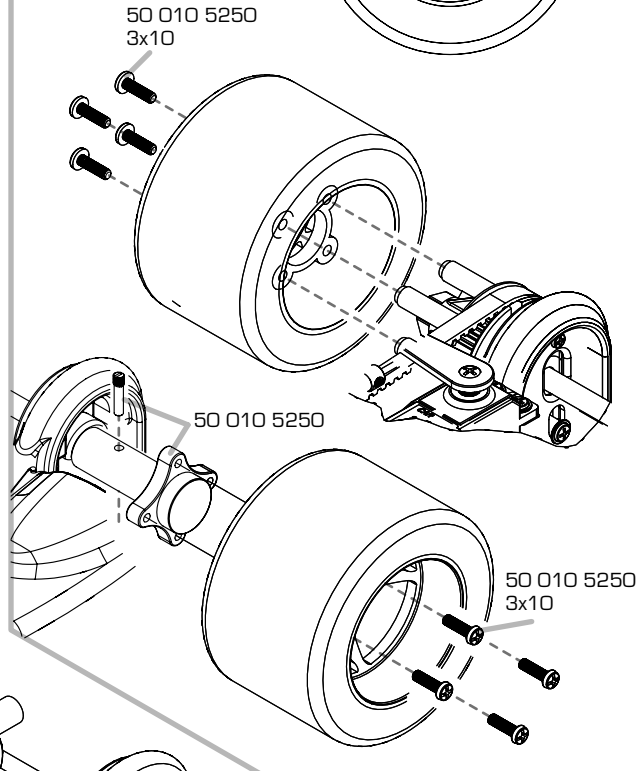
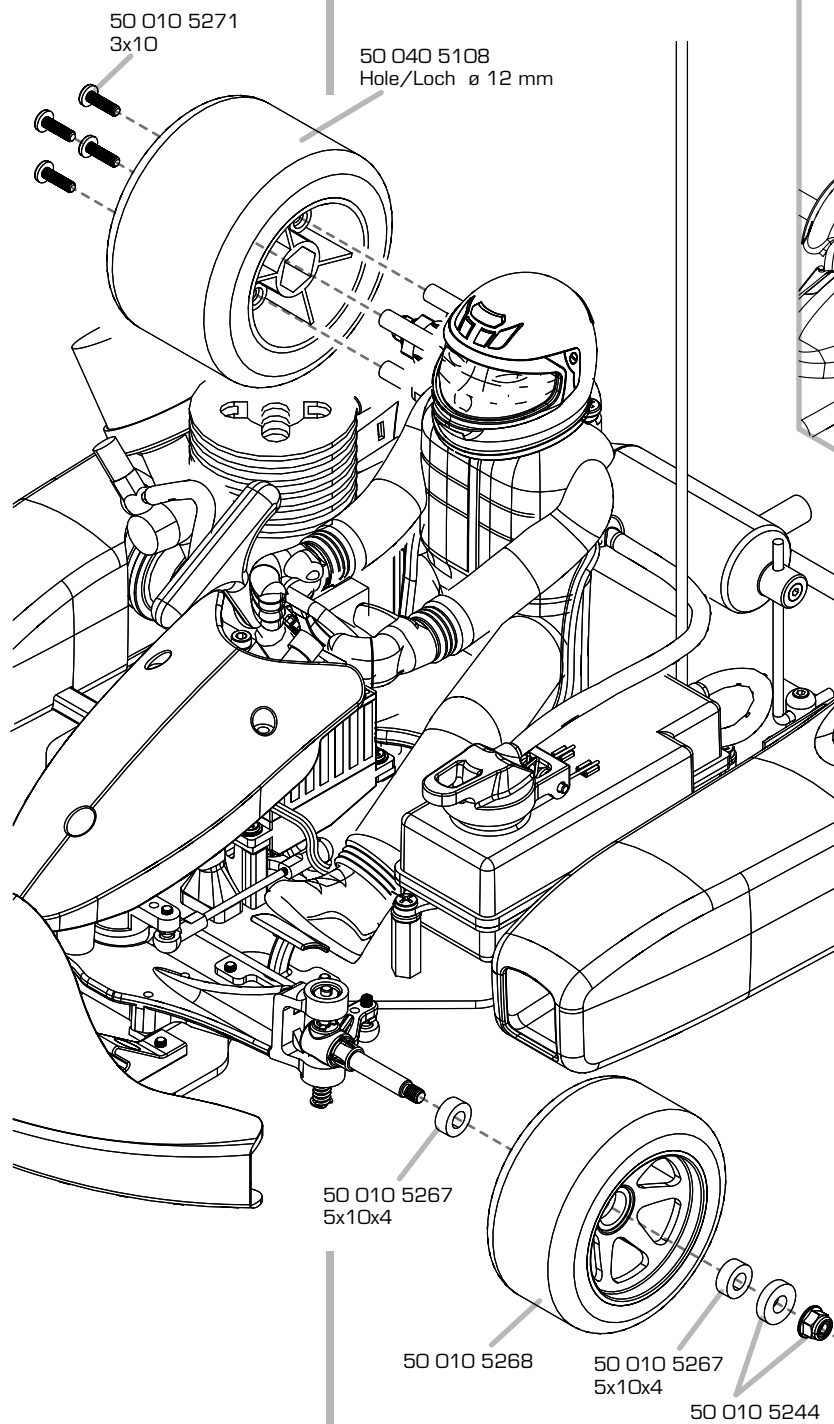
50 050 5108
Rear right x1
Hinten rechts x1



35

**Wheel assembly •
Montage Räder • Montage
roues • Montaje de las
ruedas • Montaggio ruote**

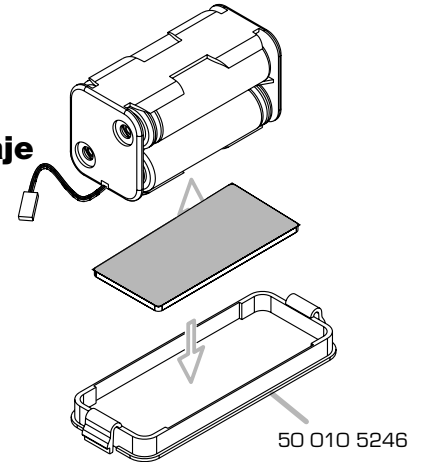
OPTION



36

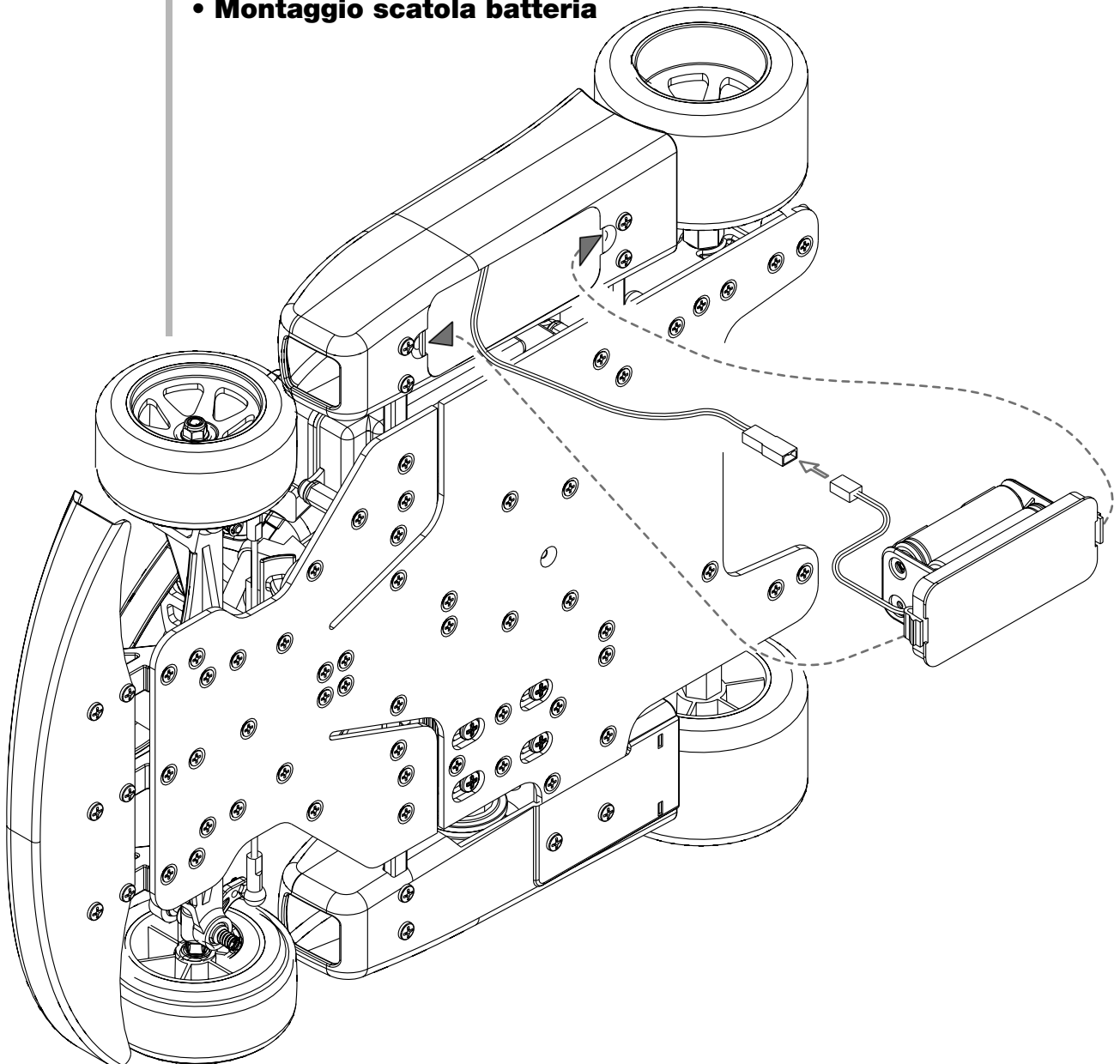
Assembly battery box

- Montage Batteriebox
- Montage coffret de batterie • Montaje del compartimento de la batería
- Montaggio scatola batteria



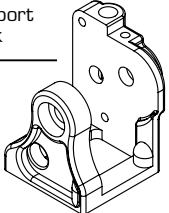
37

- #### Assembly battery box • Montage Batteriebox • Montage coffret de batterie • Montaje del compartimento de la batería
- Montaggio scatola batteria



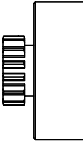
Spare Parts • Ersatzteile • Pièces détachées • Recambios • Ricambi

50 010 5252 Centre support
Zentralbock

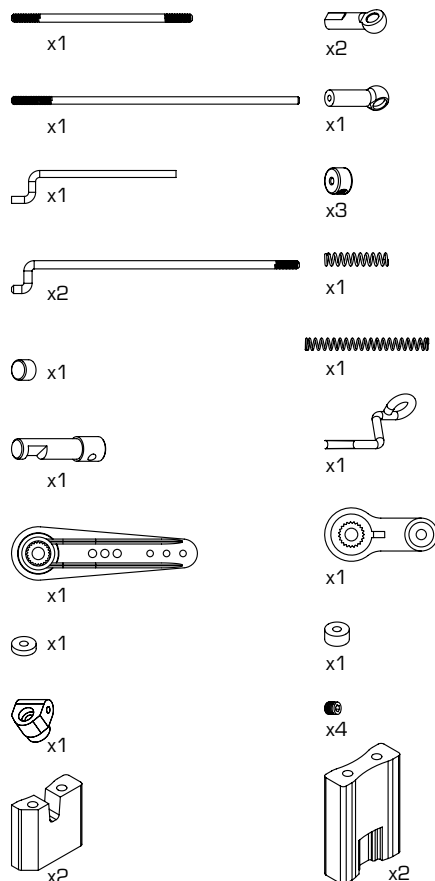


x1

50 010 5259 Clutch bell 13 T
Kupplungsglocke 13 Z

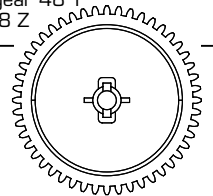


50 010 5262 Rod set
Gestängeset



x1 x2
x1 x1
x1 x3
x2 x1
x1 x1
x1 x1
x1 x1
x1 x4
x2 x2

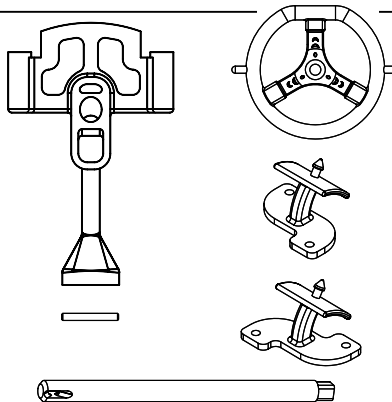
50 010 5253 Main gear 48 T
Hauptzahnrad 48 Z



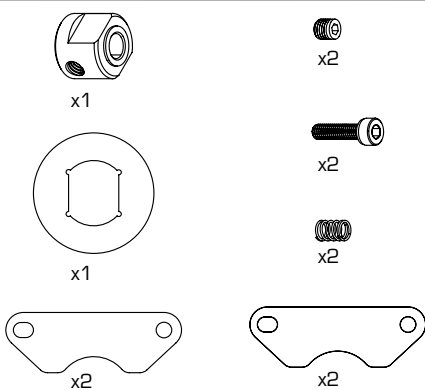
x1

Standard

50 010 5260 Cockpit set
Cockpitset

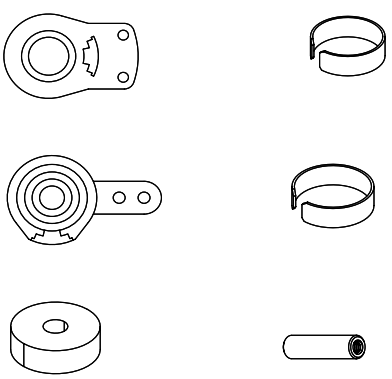


50 010 5255 Brake set
Bremskit

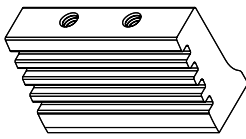


x1 x2
x1 x2
x1 x2
x2 x2

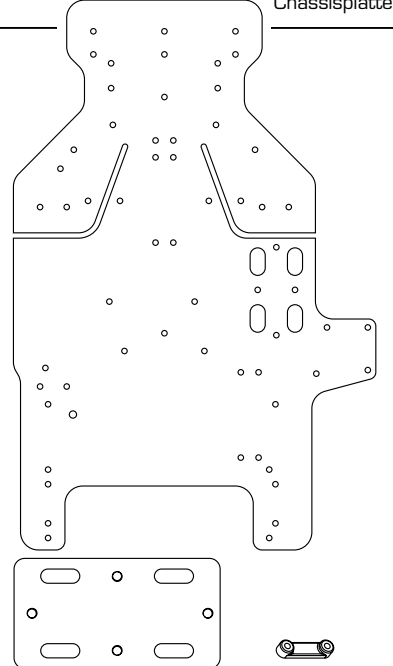
50 010 5261 Servo saver
Servosaver



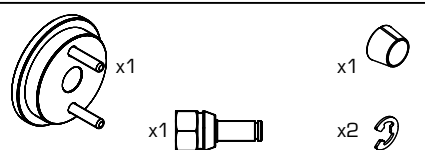
50 010 5256 2x Motor mounts
2x Motorböcke



50 010 5263 Chassis plate
Chassisplatte




50 010 5257 Clutch set
Kupplungsset

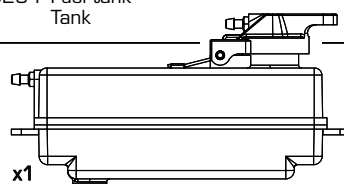


x1 x1
x1 x2

50 010 5258 2x Clutch pads + springs
2x Kupplungsbeläge + Federn



50 010 5264 Fuel tank
Tank

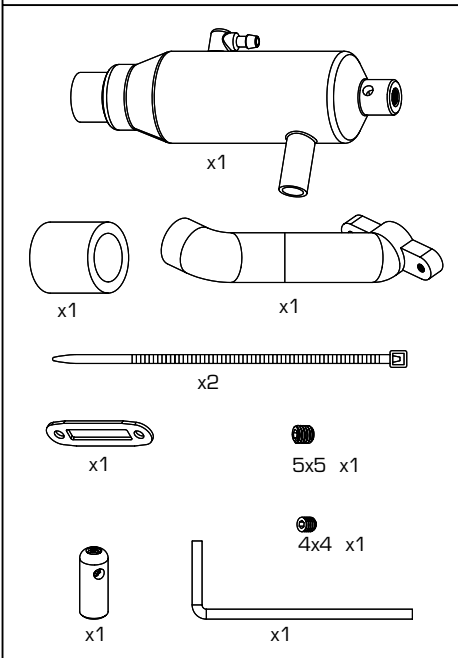


x2 x2
x1

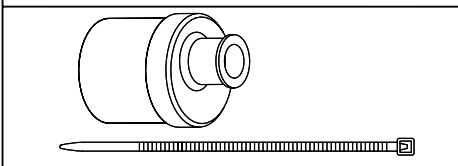
Ersatzteile

Spare Parts • Ersatzteile • Pièces détachées • Recambios • Ricambi

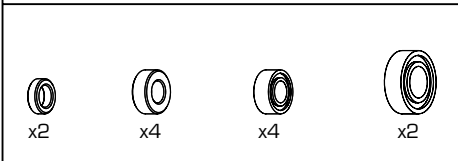
50 010 5265 Tuned pipe
Resorohrset



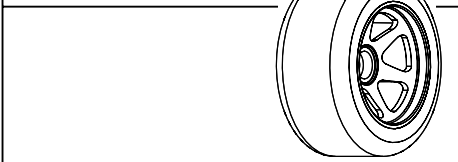
50 010 5266 Air filter set
Luftfilter-Set



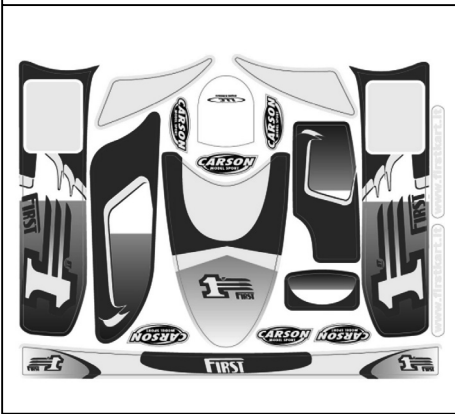
50 010 5267 Ball bearing set
Kugellager Set



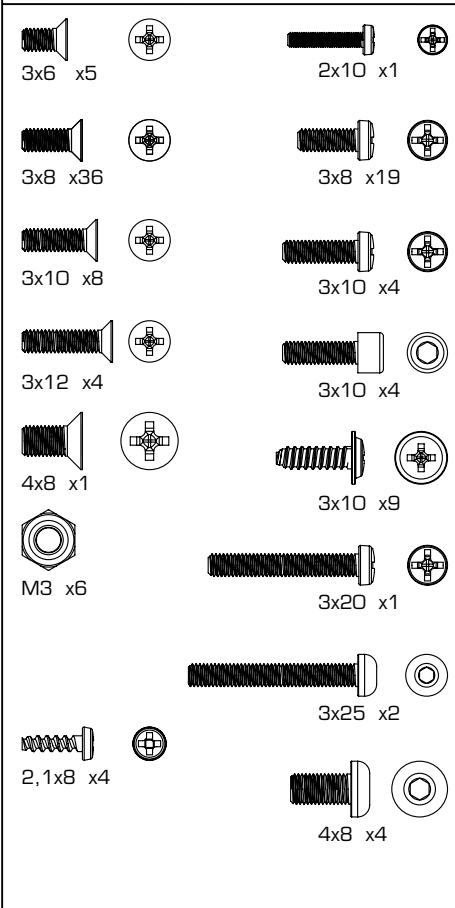
50 010 5268 2x Tyre set front
2x Reifenset vo



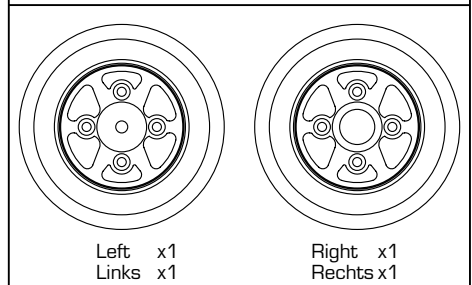
50 010 5270 Decal sheet
Dekorbogen



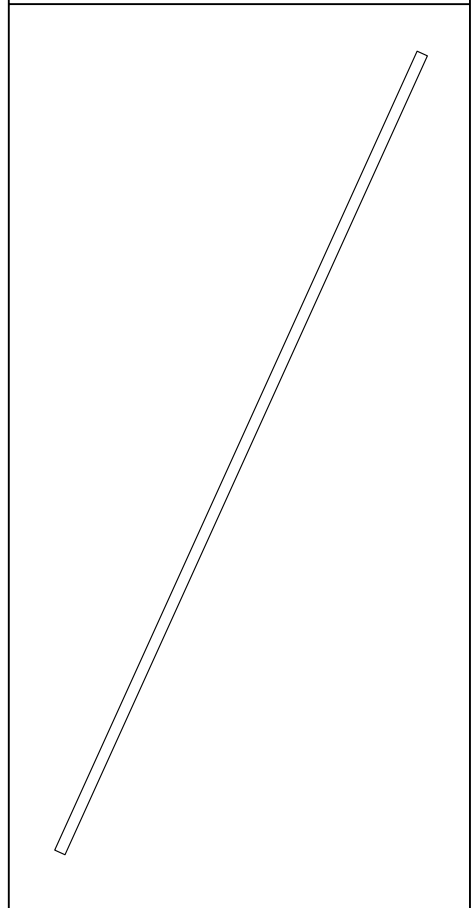
50 010 5271 Screw set
Schraubenset



50 040 5108 Wheels left + right
Räder links + rechts

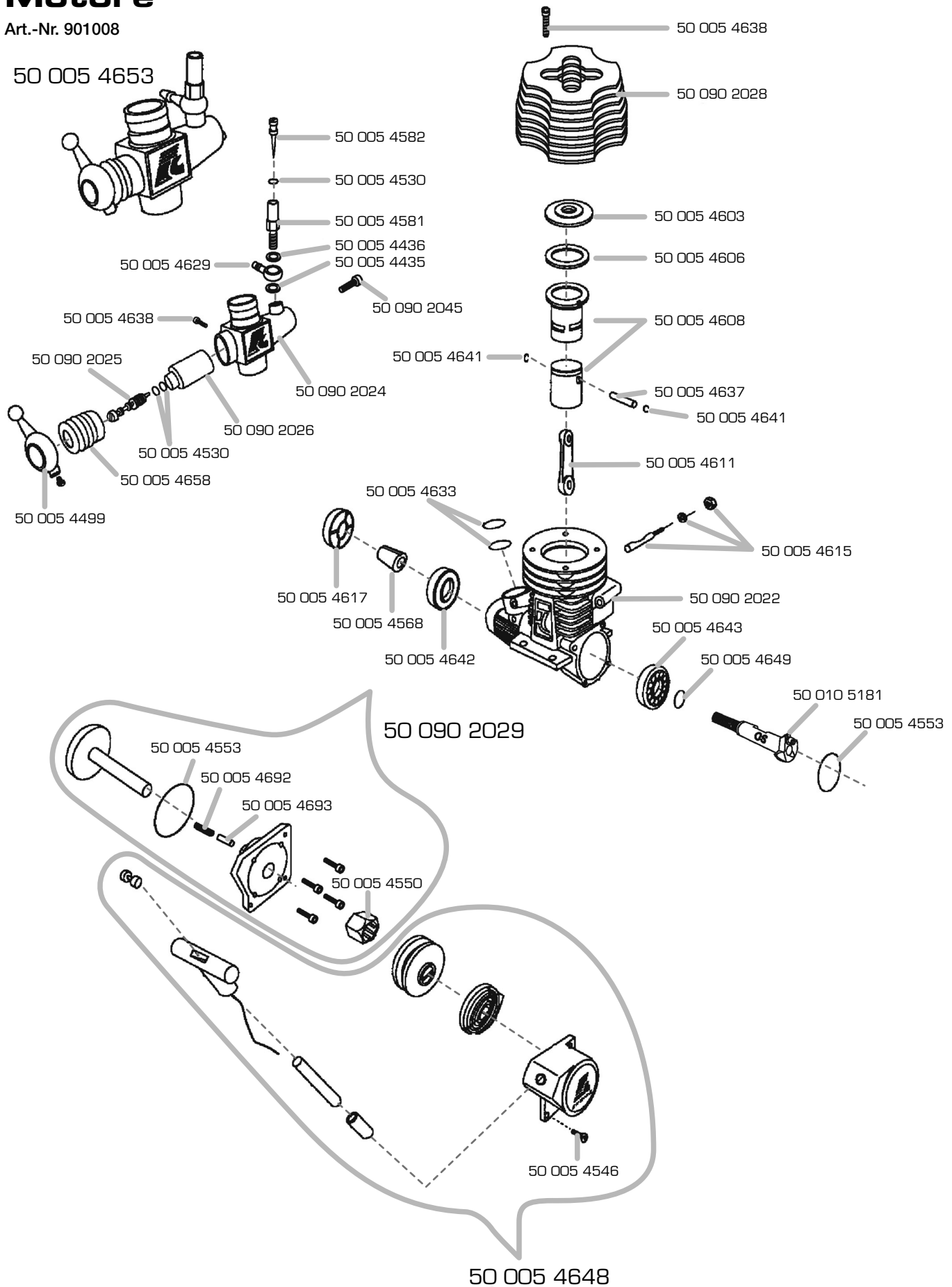


50 001 1310 5x Antenna pipe
5x Antennenrohr



2.5 cm³ Motor • Motor • Moteur • Motor • Motore

Art.-Nr. 901008



Motor

N°	Description	Bezeichnung	Description	Descripción	Elenco ricambi
50 005 4435	Lower seal of nozzle case	Düsenstockdichtung unten	Bourrage de gicleur en bas	Junta inferior de toma de combustible	Guarnizione portaugelli inferiore
50 005 4436	Upper seal of nozzle case	Düsenstockdichtung oben	Bourrage de gicleur superieur	Junta superior de toma de combustible	Guarnizione portaugelli superiore
50 005 4499	Rod connector	Gestängeanschluss	Levier de commande	Conexión de varillaje	Attacco tiranteria
50 005 4530	Fuel seal	Kraftstoffdichtung	O-Ring	Junta de combustible	Guarnizione carburante
50 005 4546	Cover screw 4 pcs.	Flanschdeckelschraube 4 St.	Vis de fix. couvercle de carter 4 p.	Tornillo de tapa abridada 4 pzas.	Vite coperchio con flangia 4 p.
50 005 4550	One Way Bearing Set	Klemmrollen-Freilauf	Roue libre avec bague de fixation	Rodillos de bloqueo de la rueda libre	Corsa libera rulli bloccanti
50 005 4553	Rear packing for fuel mixture	Gehäusedichtung hinten	O-Ring de carter arrière	Junta de cárter atrás	Guarnizione posteriore alloggiamento
50 005 4568	Clamping bushing	Klemmkonus	Cône	Cono de volante inercia	Cono di bloccaggio
50 005 4581	Nozzle case	Düsenstock	Gicleur	Portatoberas	Portaugelli
50 005 4582	Needle for main nozzle	Hauptdüsenadel	Pointeau gicleur	Aguja del surtidor principal	Spina ugello principale
50 005 4603	Combustion space	Brennraum	Chambre de combustion	Cámara de combustión	Camera di combustione
50 005 4606	Washer for cylinder head	Zylinderkopf U-Scheibe	Joint de culasse	Junta de culata	Rondella di spessore testata cilindri
50 005 4608	Cylinder liner and piston	Zylinderlaufbuchse + Kolben	Corps de cylindre et piston	Camisa del cilindro + pistón	Camicia del cilindro + pistone
50 005 4611	Connecting rod	Pleuel	Bielle	Biela	Biella
50 005 4615	Carburettor fixing pin	Vergasereinspannstift	Vis de fix. carburateur	Pasador de sujeción carburador	Attacco carburatore
50 005 4617	Drive washer	Mitnehmer	Disque d'entraînement	Dispositivo de arrastre	Trascinatore
50 005 4629	Fuel tube connector	Kraftstoffanschlußnippel	conduite d'essence	Toma de combustible	Niplo di collegamento carburante
50 005 4633	Packing for carburettor case	Vergasergehäusedichtung	O-Ring	Junta del cárterdel carburador	Guarnizione alloggiamento carburatore
50 005 4637	Piston pin	Kolbenbolzen	Axe de piston	Bulón del pistón	Spinotto per pistone
50 005 4638	Cylinder head screw 4p	Zylinderkopfschraube 4St.	Vis de fix. culasse 4p	Tornillo de culata 4 piezas	4 viti a testa cilindrica
50 005 4641	C-ring for piston pin	Kolbensicherungsring	Description	Aro de seguridad del pistón	Anello di sicurezza pistone
50 005 4642	Front ball bearing	Kugellager vorne	pince de l'axe de piston	Cojinete de bolas parte delantera	Cuscinetto a sfere anteriore
50 005 4643	Rear ball bearing	Kugellager hinten	Roulement avant	Cojinete de bolas parte trasera	Cuscinetto a sfere posteriore
50 005 4648	Cable pull starter	Seilzugstarter	Roulement arrière	Tirador de arranque	Starter a tirante
50 005 4649	Front packing for fuel mixture	Gemischdichtung vorne	Démarrreur à tirette	Junta de la mezcla parte delantera	Guarnizione anteriore miscela
50 010 5181	Crankshaft OS	Kurbelwelle OS	Vilbrequin OS	Cigüeñal OS	Albero a gomiti OS
50 005 4653	Carburettor complete	Vergaser komplett	carburateur complet	Carburador completo	Carburatore completo
50 005 4658	Adjuster cover	Regulierungsabdeckung	Palonnier	Cobertura de la válvula reguladora	Copertura di regolazione
50 005 4692	Pressure spring 6x1,9 mm	Druckfeder 6x1,9 mm	Ressort 6x1,9 mm	Muelle de compresión 6x1,9 mm	Molla di compressione 6x1,9 mm
50 005 4693	Starter pivot 4,2x2 mm	Starterzapfen 4,2x2 mm	Pivot starte r 4,2x2 mm	Pivote de arranque 4,2x2 mm	Perno dello starter 4,2x2 mm
50 090 2022	Crankcase	Kurbelgehäuse	Carter du vilebrequin	Caja de cigüeñal	Basamento
50 090 2024	Carburettor case	Vergasergehäuse	Corps de carburateur	Carcasa del carburador	Corpo del carburatore
50 090 2025	Throttle needle	Drosselnadel	Pointeau de carburateur	Aguja de estrangulación	Ago a farfalla
50 090 2026	Throttle valve cylinder	Zylinder des Schiebeventils	Cylindre de tiroir	Cilindro de la válvula corredera	Cilindro della valvola a scorrimento
50 090 2028	Cylinder head (milled)	Zylinderkopf (ausgefräst)	Culasse (fraisé)	Culata de motor (fresada)	Testata cilindri (fresata)
50 090 2029	Cable pull starter with flange	Starter-Flansch mit Zubehör	Démarrreur à tirette avec bride	Brida del arrancador con accesorios	Flangia dello starter con accessori
50 090 2045	Carburettor seal screw	Vergaser-Abschluss-Schraube	Vis d'arrêt de carburateur	Tornillo terminal del carburador	Vite di chiusura carburatore



For Germany:

Service-Hotline:

Mo - Do 8.00 - 17.00 Uhr

Fr 8.00 - 14.30 Uhr

CARSON-Model Sport

Abt. Service

Mittlere Motsch 9

96515 Sonneberg

01805-73 33 00

12 ct/min



CARSON-Model Sport

Werkstraße 1 • D-90765 Fürth / Germany

www.carson-modelsport.de