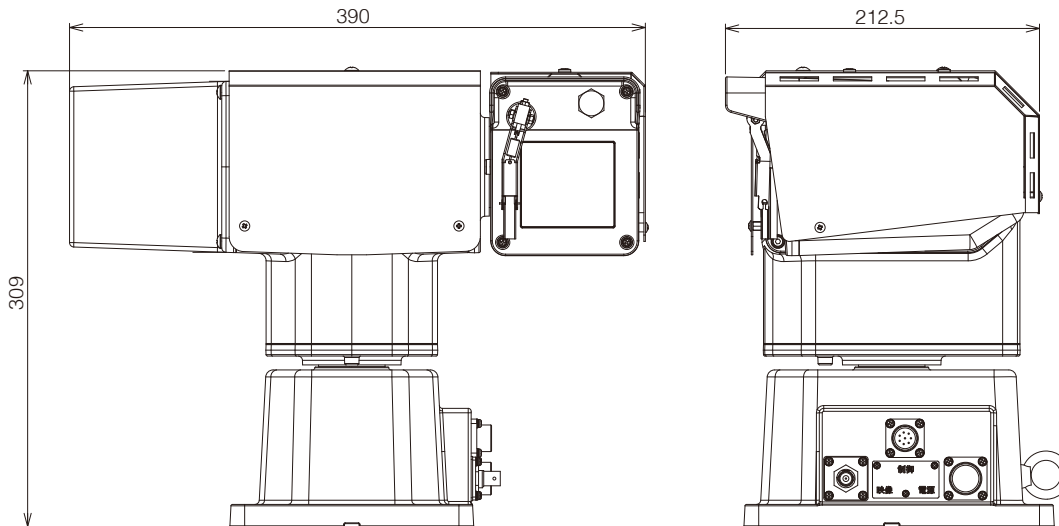


Full HD Compact PTZ Camera

APTO-111 VORTY



- 360° Endless Panning
- High-Definition HD-SDI Output
- Near IR corrected (Day/Night)
- Auto Focus
- High Speed Pan-Tilt
Max Speed: Horizontal 180°/sec
Vertical 90°/sec
- Variety of protocols applicable



Specification : [PT: APTO-111 VORTY]	
Installation	Outdoor Upright
Comm. IF/Protocol	RS-422 (RS-485) / Pelco D and others
Housing Equipments	Wiper:Remote
	Defroster / fan / heater: Auto Control Optical 30x AF module
Water Proof	JIS C0920 Jet proof type compliant IP66
Wind Resistance	Normal ~ 20m/s
	Operation ~ 40m/s (Manual Control)
	Non-Dest. ~ 60m/s
Temperature	-10 ~ +50°C (with power, not frozen)
Humidity	30 ~ 90%RH (Relative, no condensation)
Color	N7 (Polyurethane paint) *option available
Power	AC100V, 50Hz / 60Hz
Weight	Approx. 13kg
Option	<ul style="list-style-type: none"> • Communication I/F, Salt Resistance etc. • LED Illuminator • Visible and Near IR

Specification : [Camera]	
Image Sensor	1/3" CMOS 2MegaPixel
	1,920(H)x1,080(V) 30p/60i/59.94i
Video Output	HD-SDI(SMPTE292M)
Lens	f = 4.4 - 132mm F1.4 - 4.6 Optical 30x
Angle of View	H: 63.4° ~ 2.3° V: 37.3° ~ 1.3°
Min. Illumination	0.4Lux color 1/30sec F1.4 50IRE 0.01Lux BW 1/8sec F1.4 50IRE
Other Function	Image Stabilizer, DeFog, HLC (Halation Control)

Specification : [Pan-Tilt]	
Pan-Tilt Range	H:360° Continuous V:±90°
PT Speed	H Max. 180°/sec
	V Max. 90°/sec
Precision	H+V:less than ±0.3°
No. of presets	Max. 255 (including home position)